



Project _____

Item # _____

Quantity _____

Hot/Cold Built-In Shelves

Models: HCSSB-2418, -3018, -3618, -4818

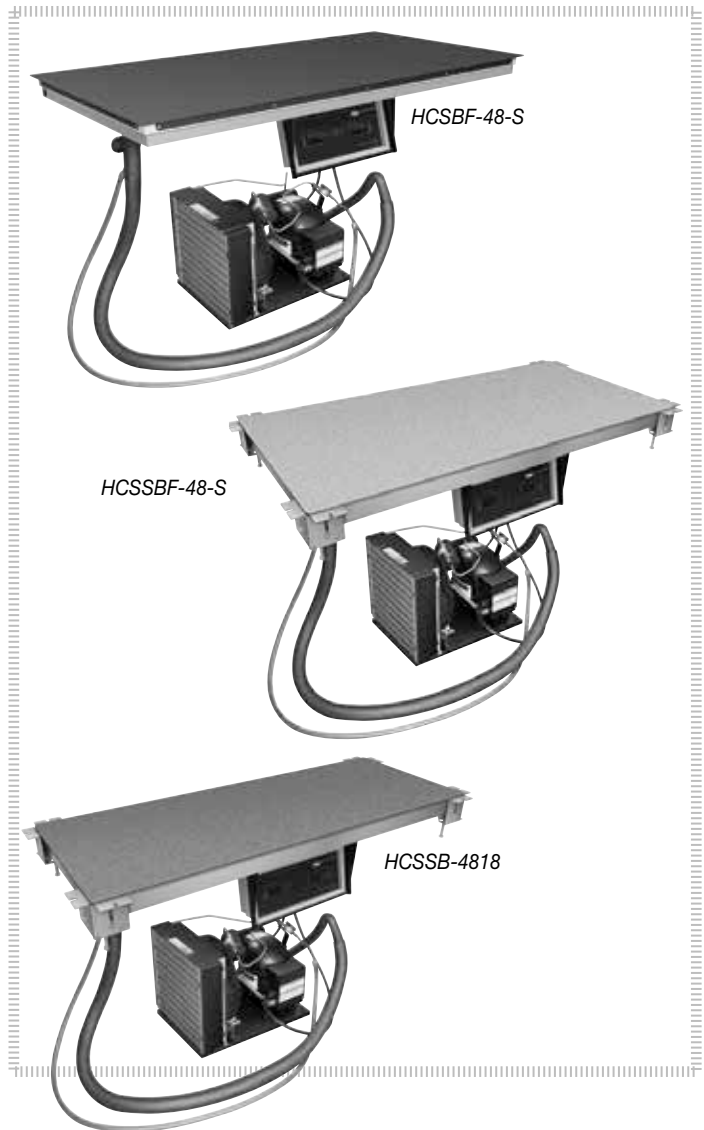
HCSBF-24-F, -24-I, -24-S, -36-F, -36-I, -36-S,
-48-F, -48-I, -48-S

HCSBF-24-F, -24-I, -24-S, -36-F, -36-I, -36-S,
-48-F, -48-I, -48-S

Give your operation ultimate flexibility with Hatco's innovative, patented Hot/Cold Built-In Shelves. Available in our signature Hardcoat or in Swanstone®, they easily transition between a heated to cold and cold to heated shelf!

Standard features

- R-513A refrigerant available for California only, please contact Hatco for more information
- The shelves change modes from hot to cold or vice versa in as little as 30 minutes, allowing quick change for different day parts
- Patented thermal break reduces condensation and temperature transfer
- Long, flexible copper refrigerant line, with ability to pull out condensing unit, results in easy service and installation
- Hardcoat aluminum models (HCSBF) are top mount while simulated stone▲ models (HCSSBF, HCSSB) are bottom mount, flush with counter top
- For an integrated look:
 - HCSBF Hot/Cold Shelves match the GRSBF Heated Built-In Shelves
 - HCSSB Hot/Cold Shelves match the GRSSB Heated Built-In Shelves
- Models shipped with Electronic Temperature Control and Condensing Unit
- Control box can be mounted on the front of the cabinet, 4' (1219 mm) from center of shelf
- Condensing unit may be mounted up to 4' (1219 mm) away from the center of shelf
- The Hot/Cold Shelf construction utilizes R-404A
- Easy serviceability with a sight glass, service valves, dryer/filter and a receiver



Options (available at time of purchase only)

Simulated stone▲ for HCSSBF and HCSSB models only –

Non-standard colors are non-returnable

Gray Granite Bermuda Sand Night Sky (standard)

Additional four year parts only warranty on the compressor available at time of purchase (U.S. and Canada only)

▲ Models with simulated stone are Swanstone®

For operation, location and safety information, please refer to the Installation & Operating Manual.



HATCO CORPORATION | P.O. Box 340500 Milwaukee, WI 53234-0500 U.S.A.
(800) 558-0607 | (414) 671-6350 | www.hatcocorp.com | support@hatcocorp.com



Hot/Cold Built-In Shelves

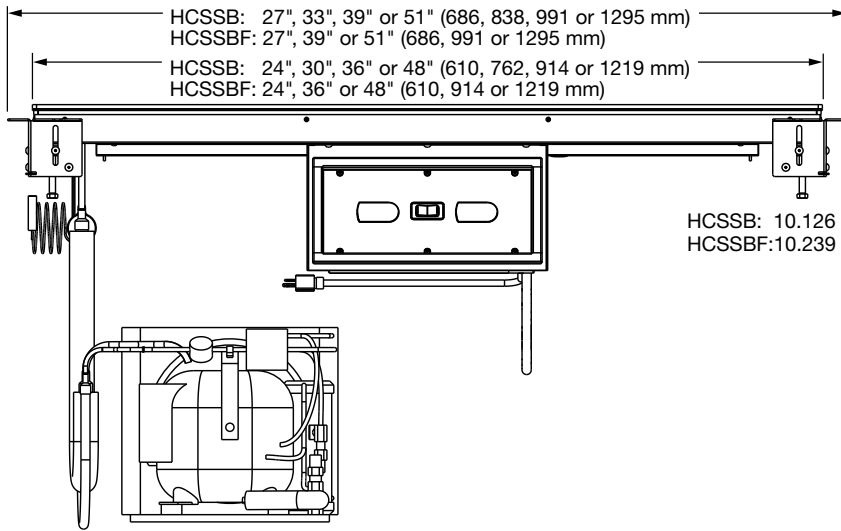
Models: HCSSB-2418, -3018, -3618, -4818

HCSSBF-24-F, -24-I, -24-S, -36-F, -36-I, -36-S, -48-F, -48-I, -48-S

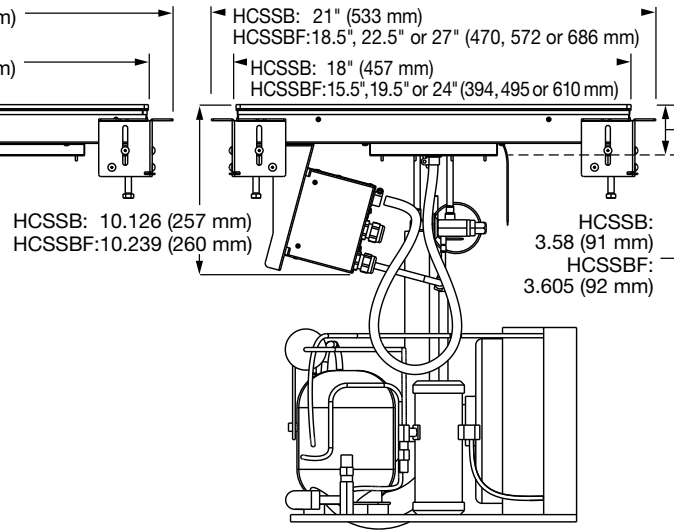
HCSBF-24-F, -24-I, -24-S, -36-F, -36-I, -36-S, -48-F, -48-I, -48-S

HCSSB, HCSSBF

FRONT

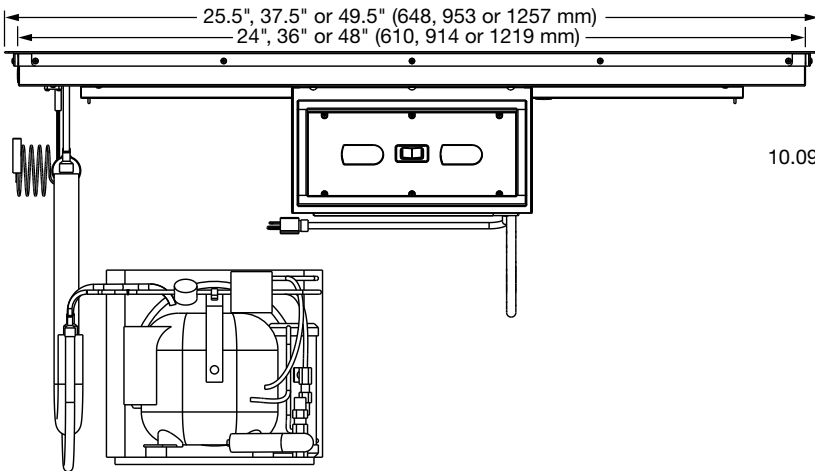


SIDE

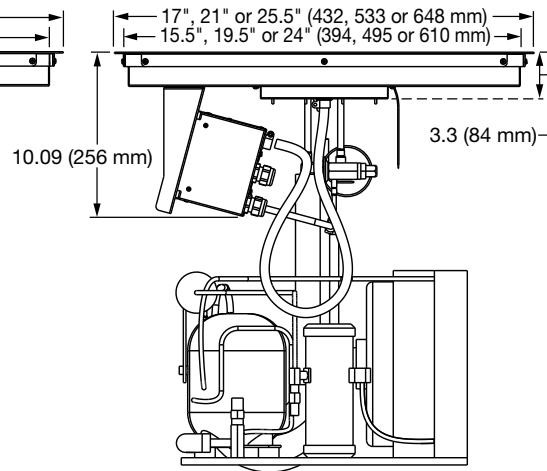


HCSBF

FRONT



SIDE



SPECIFICATIONS

Hot/Cold Simulated Stone[▲] Shelves - Built-In (flush to countertop) *

The shaded areas contain electrical information for International models

| Model | Overall Dimensions W x D x H | Usable Shelf Space W x D of heated/cooled surface | Comp. Size HP | Voltage* | Cold Side Watts | Hot Side Watts | Amps | Hz | Plug | Approximate Ship Weight |
|------------|---|--|------------------|----------|--------------------|-------------------|------|----|-----------------------------------|----------------------------|
| HCSSB-2418 | 27" x 21" x 10.126" (686 x 533 x 257 mm) | 24" x 18" (610 x 457 mm) | 1/4 | 120 | 804 | 405 | 6.7 | 60 | NEMA 5-15P | 133 lb. (61 kg) |
| | | | | 220 | 616 | 371 | 2.8 | 50 | CEE 7-7 Schuko BS-1363, AS3112 | |
| | | | | 230 | 667 | 405 | 2.9 | | | |
| | | | 1/3 | 240 | 744 | 441 | 3.1 | 60 | BS-1363 | |
| | | | | 220 | 686 | 371 | 3.1 | | | |
| | | | | 230 | 749 | 405 | 3.3 | | | |
| HCSSB-3018 | 33" x 21" x 10.126" (838 x 533 x 257 mm) | 30" x 18" (762 x 457 mm) | 1/4 | 120 | 804 | 510 | 6.7 | 60 | NEMA 5-15P | 150 lb. (68 kg) |
| | | | | 220 | 616 | 467 | 2.8 | 50 | CEE 7-7 Schuko BS-1363, AS3112 | |
| | | | | 230 | 667 | 510 | 2.9 | | | |
| | | | 1/3 | 240 | 744 | 555 | 3.1 | 60 | BS-1363 | |
| | | | | 220 | 686 | 467 | 3.1 | | | |
| | | | | 230 | 749 | 510 | 3.3 | | | |
| | | | | 240 | 816 | 555 | 3.4 | | | |

[▲]Models with simulated stone are Swanstone[®] *All voltages non-CE * Contact Hatco for R-513A refrigerant specifications.

continued on next page



Hot/Cold Built-In Shelves

Models: HCSSB-2418, -3018, -3618, -4818

HCSSBF-24-F, -24-I, -24-S, -36-F, -36-I, -36-S, -48-F, -48-I, -48-S

HCSSBF-24-F, -24-I, -24-S, -36-F, -36-I, -36-S, -48-F, -48-I, -48-S

SPECIFICATIONS

Hot/Cold Simulated Stone[▲] Shelves - Built-In (flush to countertop) * *continued from previous page*

The shaded areas contain electrical information for International models

| Model | Overall Dimensions W x D x H | Usable Shelf Space W x D of heated/cooled surface | Comp. Size HP | Voltage* | Cold Side Watts | Hot Side Watts | Amps | Hz | Plug | Approximate Ship Weight | |
|------------|--|--|------------------|----------|--------------------|-------------------|------|-----|------------------------------------|----------------------------|--------------------|
| HCSSB-3618 | 39" x 21" x 10.126" (991 x 533 x 257 mm) | 36" x 18" (914 x 457 mm) | 1/3 | 1/4 | 120 | 804 | 610 | 6.7 | 60 | NEMA 5-15P | 160 lb. (73 kg) |
| | | | | 50 | 220 | 616 | 558 | 2.8 | CEE 7-7 Schuko, BS-1363, AS3112 | | |
| | | | | | 230 | 667 | 610 | 2.9 | | | |
| | | | | | 240 | 744 | 664 | 3.1 | | | |
| | | | | 60 | 220 | 686 | 558 | 3.1 | BS-1363 | | |
| | | | | | 230 | 749 | 610 | 3.3 | | | |
| | | | | | 240 | 816 | 664 | 3.4 | | | |
| HCSSB-4818 | 51" x 21" x 10.126" (1295 x 533 x 257 mm) | 48" x 18" (1219 x 457 mm) | 1/3 | 1/3 | 120 | 468 | 815 | 6.8 | 60 | NEMA 5-15P | 187 lb. (85 kg) |
| | | | | 50 | 220 | 807 | 746 | 3.7 | CEE 7-7 Schuko, BS-1363, AS3112 | | |
| | | | | | 230 | 882 | 815 | 3.8 | | | |
| | | | | | 240 | 960 | 887 | 4.0 | | | |
| | | | | 60 | 220 | 686 | 746 | 3.1 | BS-1363 | | |
| | | | | | 230 | 749 | 815 | 3.3 | | | |
| | | | | | 240 | 816 | 887 | 3.4 | | | |

SPECIFICATIONS

Hot/Cold Simulated Stone[▲] Built-In Shelves - Flush Top *

The shaded areas contain electrical information for International models

| Model | Overall Dimensions W x D x H | Usable Shelf Space W x D of heated/cooled surface | Comp. Size HP | Volts* | Cold Side Watts | Hot Side Watts | Amps | Hz | Plug | Approximate Ship Weight | |
|-------------|--|--|------------------|--------|--------------------|-------------------|------|-----|------------------------------------|----------------------------|---------------------|
| HCSSBF-24-F | 27" x 18.5" x 10.239 (686 x 470 x 260 mm) | 24" x 15.5" (610 x 394 mm) | 1/3 | 1/4 | 120 | 804 | 355 | 6.7 | 60 | NEMA 5-15P | 139 lbs. (64 kg) |
| | | | | 50 | 220 | 616 | 325 | 2.8 | CEE 7-7 Schuko, BS-1363, AS3112 | | |
| | | | | | 230 | 667 | 355 | 2.9 | | | |
| | | | | | 240 | 744 | 387 | 3.1 | | | |
| | | | | 60 | 220 | 686 | 325 | 3.1 | BS-1363 | | |
| | | | | | 230 | 749 | 355 | 3.3 | | | |
| | | | | | 240 | 816 | 387 | 3.4 | | | |
| HCSSBF-24-I | 27" x 22.5" x 10.239 (686 x 572 x 260 mm) | 24" x 19.5" (610 x 495 mm) | 1/3 | 1/4 | 120 | 804 | 445 | 6.7 | 60 | NEMA 5-15P | 134 lbs. (61 kg) |
| | | | | 50 | 220 | 616 | 407 | 2.8 | CEE 7-7 Schuko, BS-1363, AS3112 | | |
| | | | | | 230 | 667 | 445 | 2.9 | | | |
| | | | | | 240 | 744 | 485 | 3.1 | | | |
| | | | | 60 | 220 | 686 | 407 | 3.1 | BS-1363 | | |
| | | | | | 230 | 749 | 445 | 3.3 | | | |
| | | | | | 240 | 816 | 485 | 3.4 | | | |
| HCSSBF-24-S | 27" x 27" x 10.239 (686 x 686 x 260 mm) | 24" x 24" (610 x 610 mm) | 1/3 | 1/4 | 120 | 804 | 550 | 6.7 | 60 | NEMA 5-15P | 150 lbs. (68 kg) |
| | | | | 50 | 220 | 616 | 503 | 2.8 | CEE 7-7 Schuko, BS-1363, AS3112 | | |
| | | | | | 230 | 667 | 550 | 2.9 | | | |
| | | | | | 240 | 744 | 599 | 3.1 | | | |
| | | | | 60 | 220 | 686 | 503 | 3.1 | BS-1363 | | |
| | | | | | 230 | 749 | 550 | 3.3 | | | |
| | | | | | 240 | 816 | 599 | 3.4 | | | |
| HCSSBF-36-F | 39" x 18.5" x 10.239 (991 x 470 x 260 mm) | 36" x 15.5" (914 x 394 mm) | 1/3 | 1/4 | 120 | 804 | 530 | 6.7 | 60 | NEMA 5-15P | 146 lbs. (66 kg) |
| | | | | 50 | 220 | 616 | 485 | 2.8 | CEE 7-7 Schuko, BS-1363, AS3112 | | |
| | | | | | 230 | 667 | 530 | 2.9 | | | |
| | | | | | 240 | 744 | 577 | 3.1 | | | |
| | | | | 60 | 220 | 686 | 485 | 3.1 | BS-1363 | | |
| | | | | | 230 | 749 | 530 | 3.3 | | | |
| | | | | | 240 | 816 | 577 | 3.4 | | | |
| HCSSBF-36-I | 39" x 22.5" x 10.239 (991 x 572 x 260 mm) | 36" x 19.5" (914 x 495 mm) | 1/3 | 1/3 | 120 | 468 | 670 | 6.5 | 60 | NEMA 5-15P | 164 lbs. (75 kg) |
| | | | | 50 | 220 | 807 | 613 | 3.7 | CEE 7-7 Schuko, BS-1363, AS3112 | | |
| | | | | | 230 | 882 | 670 | 3.8 | | | |
| | | | | | 240 | 960 | 730 | 4.0 | | | |
| | | | | 60 | 220 | 686 | 613 | 3.1 | BS-1363 | | |
| | | | | | 230 | 749 | 670 | 3.3 | | | |
| | | | | | 240 | 816 | 730 | 3.4 | | | |

▲Models with simulated stone are Swanstone® *All voltages non-CE * Contact Hatco for R-513A refrigerant specifications.

(continued from previous page)



Hot/Cold Built-In Shelves

Models: HCSSB-2418, -3018, -3618, -4818

HCSSBF-24-F, -24-I, -24-S, -36-F, -36-I, -36-S, -48-F, -48-I, -48-S

HCSBF-24-F, -24-I, -24-S, -36-F, -36-I, -36-S, -48-F, -48-I, -48-S

SPECIFICATIONS

Hot/Cold Simulated Stone[▲] Built-In Shelves - Flush Top *

(continued from previous page)

The shaded areas contain electrical information for International models

| Model | Overall Dimensions W x D x H | Usable Shelf Space W x D of heated/cooled surface | Comp. Size HP | Volts* | Cold Side Watts | Hot Side Watts | Amps | Hz | Plug | Approximate Ship Weight | |
|-------------|---|--|------------------|--------|--------------------|-------------------|------|-----|------------|----------------------------|------------------------------------|
| HCSSBF-36-S | 39" x 27" x 10.239 (991 x 686 x 260 mm) | 36" x 24" (914 x 610 mm) | 1/3 | 120 | 468 | 825 | 6.9 | 60 | NEMA 5-15P | 180 lbs. (82 kg) | |
| | | | | 3/8 | 220 | 807 | 755 | 3.7 | 50 | | CEE 7-7 Schuko, BS-1363, AS3112 |
| | | | | | 230 | 882 | 825 | 3.8 | | | |
| | | | 240 | | 960 | 898 | 4.0 | | | | |
| | | | 1/3 | 220 | 686 | 755 | 3.1 | 60 | BS-1363 | | |
| | | | | 230 | 749 | 825 | 3.3 | | | | |
| 240 | 816 | 898 | | 3.4 | | | | | | | |
| HCSSBF-48-F | 51" x 18.5" x 10.239 (1295 x 470 x 260 mm) | 48" x 15.5" (1219 x 394 mm) | 1/3 | 120 | 468 | 710 | 6.5 | 60 | NEMA 5-15P | 183 lbs. (82 kg) | |
| | | | | 3/8 | 220 | 807 | 650 | 3.7 | 50 | | CEE 7-7 Schuko, BS-1363, AS3112 |
| | | | | | 230 | 882 | 710 | 3.8 | | | |
| | | | 240 | | 960 | 773 | 4.0 | | | | |
| | | | 1/3 | 220 | 686 | 650 | 3.1 | 60 | BS-1363 | | |
| | | | | 230 | 749 | 710 | 3.3 | | | | |
| 240 | 816 | 773 | | 3.4 | | | | | | | |
| HCSSBF-48-I | 51" x 22.5" x 10.239 (1295 x 572 x 260 mm) | 48" x 19.5" (1219 x 495 mm) | 1/3 | 120 | 468 | 890 | 7.4 | 60 | NEMA 5-15P | 195 lbs. (89 kg) | |
| | | | | 3/8 | 220 | 807 | 814 | 3.7 | 50 | | CEE 7-7 Schuko, BS-1363, AS3112 |
| | | | | | 230 | 882 | 890 | 3.8 | | | |
| | | | 240 | | 960 | 969 | 4.0 | | | | |
| | | | 1/3 | 220 | 686 | 814 | 3.1 | 60 | BS-1363 | | |
| | | | | 230 | 749 | 890 | 3.3 | | | | |
| 240 | 816 | 969 | | 3.4 | | | | | | | |
| HCSSBF-48-S | 51" x 27" x 10.239 (1295 x 686 x 260 mm) | 48" x 24" (1219 x 610 mm) | 1/2 | 120 | 1380 | 1100 | 11.5 | 60 | NEMA 5-15P | 220 lbs. (100 kg) | |
| | | | | 1/3 | 220 | 1190 | 1006 | 5.4 | 50 | | CEE 7-7 Schuko, BS-1363, AS3112 |
| | | | | | 230 | 1300 | 1100 | 5.7 | | | |
| | | | 240 | | 1416 | 1198 | 5.9 | | | | |
| | | | 1/3 | 220 | 1210 | 1006 | 5.5 | 60 | BS-1363 | | |
| | | | | 230 | 1322 | 1100 | 5.8 | | | | |
| 240 | 1440 | 1198 | | 6.0 | | | | | | | |

SPECIFICATIONS

Hot/Cold Shelves - Built-In, Flush Top (Aluminum) *

The shaded areas contain electrical information for International models

| Model | Overall Dimensions W x D x H | Usable Shelf Space W x D of heated/cooled surface | Comp. Size HP | Volts* | Cold Side Watts | Hot Side Watts | Amps | Hz | Plug | Approximate Ship Weight | |
|------------|--|--|------------------|--------|--------------------|-------------------|------|-----|------------|----------------------------|------------------------------------|
| HCSBF-24-F | 25.5" x 17" x 10.09" (648 x 432 x 256 mm) | 24" x 15.5" (610 x 394 mm) | 1/4 | 120 | 804 | 355 | 6.7 | 60 | NEMA 5-15P | 119 lbs. (54 kg) | |
| | | | | 1/3 | 220 | 616 | 325 | 2.8 | 50 | | CEE 7-7 Schuko, BS-1363, AS3112 |
| | | | | | 230 | 667 | 355 | 2.9 | | | |
| | | | 240 | | 744 | 387 | 3.1 | | | | |
| | | | 1/3 | 220 | 686 | 325 | 3.1 | 60 | BS-1363 | | |
| | | | | 230 | 749 | 355 | 3.3 | | | | |
| 240 | 816 | 387 | | 3.4 | | | | | | | |
| HCSBF-24-I | 25.5" x 21" x 10.09" (648 x 533 x 256 mm) | 24" x 19.5" (610 x 495 mm) | 1/4 | 120 | 804 | 445 | 6.7 | 60 | NEMA 5-15P | 126 lbs. (57 kg) | |
| | | | | 1/3 | 220 | 616 | 407 | 2.8 | 50 | | CEE 7-7 Schuko, BS-1363, AS3112 |
| | | | | | 230 | 667 | 445 | 2.9 | | | |
| | | | 240 | | 744 | 485 | 3.1 | | | | |
| | | | 1/3 | 220 | 686 | 407 | 3.1 | 60 | BS-1363 | | |
| | | | | 230 | 749 | 445 | 3.3 | | | | |
| 240 | 816 | 485 | | 3.4 | | | | | | | |
| HCSBF-24-S | 25.5" x 25.5" x 10.09" (648 x 648 x 256 mm) | 24" x 24" (610 x 610 mm) | 1/4 | 120 | 804 | 550 | 6.7 | 60 | NEMA 5-15P | 140 lbs. (64 kg) | |
| | | | | 1/3 | 220 | 616 | 503 | 2.8 | 50 | | CEE 7-7 Schuko, BS-1363, AS3112 |
| | | | | | 230 | 667 | 550 | 2.9 | | | |
| | | | 240 | | 744 | 599 | 3.1 | | | | |
| | | | 1/3 | 220 | 686 | 503 | 3.1 | 60 | BS-1363 | | |
| | | | | 230 | 749 | 550 | 3.3 | | | | |
| 240 | 816 | 599 | | 3.4 | | | | | | | |

▲Models with simulated stone are Swanstone® *All voltages non-CE * Contact Hatco for R-513A refrigerant specifications.

(continued on next page)



Hot/Cold Built-In Shelves

Models: HCSSB-2418, -3018, -3618, -4818

HCSBF-24-F, -24-I, -24-S, -36-F, -36-I, -36-S, -48-F, -48-I, -48-S

HCSBF-24-F, -24-I, -24-S, -36-F, -36-I, -36-S, -48-F, -48-I, -48-S

SPECIFICATIONS

Hot/Cold Shelves - Built-In, Flush Top (Aluminum)**

The shaded areas contain electrical information for international models

| Model | Overall Dimensions W x D x H | Usable Shelf Space W x D of heated/cooled surface | Comp. Size HP | Volts* | Cold Side Watts | Hot Side Watts | Amps | Hz | Plug | Approximate Ship Weight |
|------------|---|--|------------------|--------|--------------------|-------------------|------|----|------------------------------------|----------------------------|
| HCSBF-36-F | 37.5" x 17" x 10.09" (953 x 432 x 256 mm) | 36" x 15.5" (914 x 394 mm) | 1/4 | 120 | 804 | 530 | 6.7 | 60 | NEMA 5-15P | 155 lbs. (70 kg) |
| | | | | 220 | 616 | 485 | 2.8 | 50 | CEE 7-7 Schuko, BS-1363, AS3112 | |
| | | | 1/3 | 230 | 667 | 530 | 2.9 | | | |
| | | | | 240 | 744 | 577 | 3.1 | | | |
| | | | | 220 | 686 | 485 | 3.1 | | | |
| | | | | 230 | 749 | 530 | 3.3 | | | |
| 240 | 816 | 577 | 3.4 | | | | | | | |
| HCSBF-36-I | 37.5" x 21" x 10.09" (953 x 533 x 256 mm) | 36" x 19.5" (914 x 495 mm) | 1/3 | 120 | 468 | 670 | 6.5 | 60 | NEMA 5-15P | 159 lbs. (72 kg) |
| | | | | 220 | 807 | 613 | 3.7 | 50 | CEE 7-7 Schuko, BS-1363, AS3112 | |
| | | | 3/8 | 230 | 882 | 670 | 3.8 | | | |
| | | | | 240 | 960 | 730 | 4.0 | | | |
| | | | | 220 | 686 | 613 | 3.1 | | | |
| | | | | 230 | 749 | 670 | 3.3 | | | |
| 240 | 816 | 730 | 3.4 | | | | | | | |
| HCSBF-36-S | 37.5" x 25.5" x 10.09" (953 x 648 x 256 mm) | 36" x 24" (914 x 610 mm) | 1/3 | 120 | 468 | 825 | 6.9 | 60 | NEMA 5-15P | 164 lbs. (74 kg) |
| | | | | 220 | 807 | 755 | 3.7 | 50 | CEE 7-7 Schuko, BS-1363, AS3112 | |
| | | | 3/8 | 230 | 882 | 825 | 3.8 | | | |
| | | | | 240 | 960 | 898 | 4.0 | | | |
| | | | | 220 | 686 | 755 | 3.4 | | | |
| | | | | 230 | 749 | 825 | 3.5 | | | |
| 240 | 816 | 898 | 3.7 | | | | | | | |
| HCSBF-48-F | 49.5" x 17" x 10.09" (1257 x 432 x 256 mm) | 48" x 15.5" (1219 x 394 mm) | 1/3 | 120 | 468 | 710 | 6.5 | 60 | NEMA 5-15P | 161 lbs. (74 kg) |
| | | | | 220 | 807 | 650 | 3.7 | 50 | CEE 7-7 Schuko, BS-1363, AS3112 | |
| | | | 3/8 | 230 | 882 | 710 | 3.8 | | | |
| | | | | 240 | 960 | 773 | 4.0 | | | |
| | | | | 220 | 686 | 650 | 3.1 | | | |
| | | | | 230 | 749 | 710 | 3.3 | | | |
| 240 | 816 | 773 | 3.4 | | | | | | | |
| HCSBF-48-I | 49.5" x 21" x 10.09" (1257 x 533 x 256 mm) | 48" x 19.5" (1219 x 495 mm) | 1/3 | 120 | 468 | 890 | 7.4 | 60 | NEMA 5-15P | 172 lbs. (78 kg) |
| | | | | 220 | 807 | 814 | 3.7 | 50 | CEE 7-7 Schuko, BS-1363, AS3112 | |
| | | | 3/8 | 230 | 882 | 890 | 3.9 | | | |
| | | | | 240 | 960 | 969 | 4.0 | | | |
| | | | | 220 | 686 | 814 | 3.7 | | | |
| | | | | 230 | 749 | 890 | 3.9 | | | |
| 240 | 816 | 969 | 4.0 | | | | | | | |
| HCSBF-48-S | 49.5" x 25.5" x 10.09" (1257 x 648 x 256 mm) | 48" x 24" (1219 x 610 mm) | 1/2 | 120 | 1380 | 1100 | 11.5 | 60 | NEMA 5-15P | 204 lbs. (93 kg) |
| | | | | 220 | 1190 | 1006 | 5.4 | 50 | CEE 7-7 Schuko, BS-1363, AS3112 | |
| | | | 1/2 | 230 | 1300 | 1100 | 5.7 | | | |
| | | | | 240 | 1416 | 1198 | 5.9 | | | |
| | | | | 220 | 1210 | 1006 | 5.5 | | | |
| | | | | 230 | 1322 | 1100 | 5.8 | | | |
| 240 | 1440 | 1198 | 6.0 | | | | | | | |

*All voltages non-CE

** Contact Hatco for R-513A refrigerant specifications.



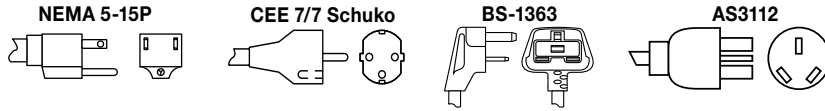
Hot/Cold Built-In Shelves

Models: HCSSB-2418, -3018, -3618, -4818

HCSSBF-24-F, -24-I, -24-S, -36-F, -36-I, -36-S, -48-F, -48-I, -48-S

HCSBF-24-F, -24-I, -24-S, -36-F, -36-I, -36-S, -48-F, -48-I, -48-S

PLUG CONFIGURATION



COUNTERTOP CUTOUT SIZE

See Installation and Operating Manual for more information

| Model | Width with .375" (10 mm) radii | Depth with .375" (10 mm) radii |
|------------|-----------------------------------|-----------------------------------|
| HCSSB-2418 | 24.375" (619 mm) | 18.375" (467 mm) |
| HCSSB-3018 | 30.375" (772 mm) | 18.375" (467 mm) |
| HCSSB-3618 | 36.375" (924 mm) | 18.375" (467 mm) |
| HCSSB-4818 | 48.375" (1229 mm) | 18.375" (467 mm) |

| Model | Width with .375" (10 mm) radii | Depth with .375" (10 mm) radii |
|-------------|-----------------------------------|-----------------------------------|
| HCSSBF-24-F | 24.375" (619 mm) | 15.875" (403 mm) |
| HCSSBF-24-I | 24.375" (619 mm) | 19.875" (505 mm) |
| HCSSBF-24-S | 24.375" (619 mm) | 24.375" (619 mm) |
| HCSSBF-36-F | 36.375" (924 mm) | 15.875" (403 mm) |
| HCSSBF-36-I | 36.375" (924 mm) | 19.875" (505 mm) |
| HCSSBF-36-S | 36.375" (924 mm) | 24.375" (619 mm) |
| HCSSBF-48-F | 48.375" (1229 mm) | 15.875" (403 mm) |
| HCSSBF-48-I | 48.375" (1229 mm) | 19.875" (505 mm) |
| HCSSBF-48-S | 48.375" (1229 mm) | 24.375" (619 mm) |

| Model | Width | | Depth | |
|------------|-----------------|-----------------|----------------|----------------|
| | Minimum | Maximum | Minimum | Maximum |
| HCSBF-24-F | 24.6" (625 mm) | 25.0" (635 mm) | 16.1" (409 mm) | 16.5" (419 mm) |
| HCSBF-24-I | 24.6" (625 mm) | 25.0" (635 mm) | 20.1" (511 mm) | 20.5" (521 mm) |
| HCSBF-24-S | 24.6" (625 mm) | 25.0" (635 mm) | 24.6" (625 mm) | 25.0" (635 mm) |
| HCSBF-36-F | 36.6" (930 mm) | 37.0" (940 mm) | 16.1" (409 mm) | 16.5" (419 mm) |
| HCSBF-36-I | 36.6" (930 mm) | 37.0" (940 mm) | 20.1" (511 mm) | 20.5" (521 mm) |
| HCSBF-36-S | 36.6" (930 mm) | 37.0" (940 mm) | 24.6" (625 mm) | 25.0" (635 mm) |
| HCSBF-48-F | 48.6" (1234 mm) | 49.0" (1245 mm) | 16.1" (409 mm) | 16.5" (419 mm) |
| HCSBF-48-I | 48.6" (1234 mm) | 49.0" (1245 mm) | 20.1" (511 mm) | 20.5" (521 mm) |
| HCSBF-48-S | 48.6" (1234 mm) | 49.0" (1245 mm) | 24.6" (625 mm) | 25.0" (635 mm) |

| Model | Width (should not exceed) | Height (should not exceed) |
|-------------|------------------------------|-------------------------------|
| Control Box | 13.0625" (332 mm) | 5.75" 146 mm) |

PRODUCT SPECS Hot/Cold Built-In Shelves

The Hot/Cold Built-In Shelf, patent pending, shall be model ... as manufactured by the Hatco Corporation, Milwaukee, WI 53234 U.S.A.

The Hot/Cold Built-In Shelf shall be rated at ... watts, ... volts, and ... inches (millimeters) in overall width. It shall utilize R-404A or R-513A refrigerant and consist of

food-safe material, Condenser attached to Evaporator with 5 foot (1524 mm) flexible tubing, adjustable bracket with cord and plug attached.

Warranty consists of 24/7 parts and service assistance (U.S. and Canada only).

HATCO CORPORATION | P.O. Box 340500 Milwaukee, WI 53234-0500 U.S.A.
 (800) 558-0607 | (414) 671-6350 | www.hatcocorp.com | support@hatcocorp.com