



Project \_\_\_\_\_

Item # \_\_\_\_\_

Quantity \_\_\_\_\_

## Hot/Cold Built-In Shelves

Models: HCSSB-2418, -3018, -3618, -4818

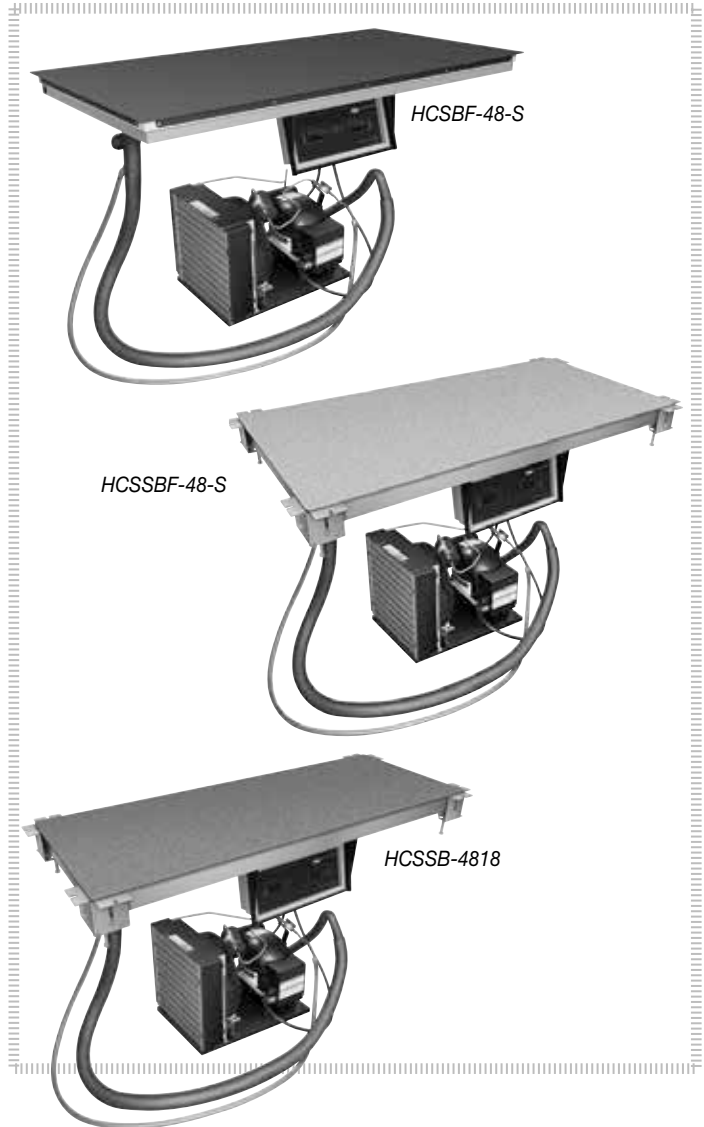
HCSBF-24-F, -24-I, -24-S, -36-F, -36-I, -36-S,  
-48-F, -48-I, -48-S

HCSBF-24-F, -24-I, -24-S, -36-F, -36-I, -36-S,  
-48-F, -48-I, -48-S

Give your operation ultimate flexibility with Hatco's innovative, patented Hot/Cold Built-In Shelves. Available in our signature Hardcoat or in Swanstone®, they easily transition between a heated to cold and cold to heated shelf!

### Standard features

- R-513A refrigerant available for California only, please contact Hatco for more information
- The shelves change modes from hot to cold or vice versa in as little as 30 minutes, allowing quick change for different day parts
- Patented thermal break reduces condensation and temperature transfer
- Long, flexible copper refrigerant line, with ability to pull out condensing unit, results in easy service and installation
- Hardcoat aluminum models (HCSBF) are top mount while simulated stone▲ models (HCSSBF, HCSSB) are bottom mount, flush with counter top
- For an integrated look:
  - HCSBF Hot/Cold Shelves match the GRSBF Heated Built-In Shelves
  - HCSSB Hot/Cold Shelves match the GRSSB Heated Built-In Shelves
- Models shipped with Electronic Temperature Control and Condensing Unit
- Control box can be mounted on the front of the cabinet, 4' (1219 mm) from center of shelf
- Condensing unit may be mounted up to 4' (1219 mm) away from the center of shelf
- The Hot/Cold Shelf construction utilizes R-404A
- Easy serviceability with a sight glass, service valves, dryer/filter and a receiver



### Options (available at time of purchase only)

Simulated stone▲ for HCSSBF and HCSSB models only –

Non-standard colors are non-returnable

Gray Granite  Bermuda Sand  Night Sky (standard)

Additional four year parts only warranty on the compressor available at time of purchase (U.S. and Canada only)

▲ Models with simulated stone are Swanstone®

**For operation, location and safety information, please refer to the Installation & Operating Manual.**



**HATCO CORPORATION** | P.O. Box 340500 Milwaukee, WI 53234-0500 U.S.A.  
(800) 558-0607 | (414) 671-6350 | www.hatcocorp.com | support@hatcocorp.com



# Hot/Cold Built-In Shelves

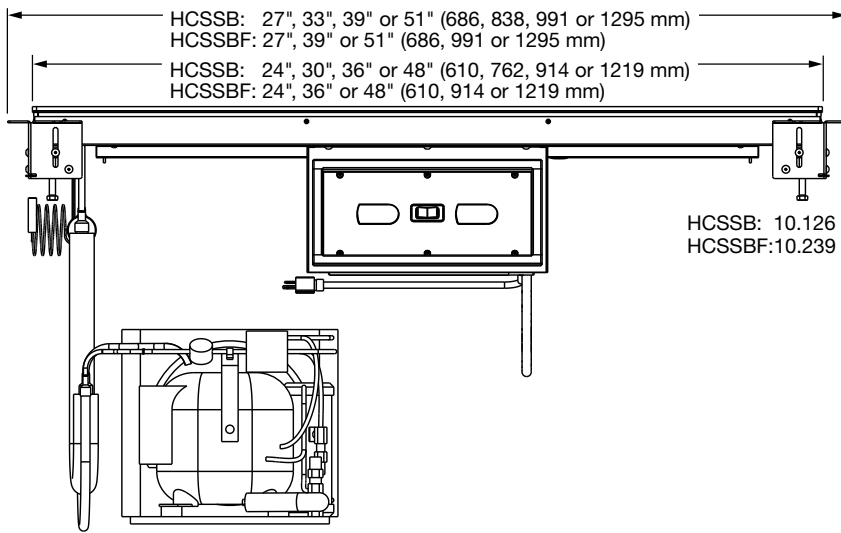
Models: HCSSB-2418, -3018, -3618, -4818

HCSSBF-24-F, -24-I, -24-S, -36-F, -36-I, -36-S, -48-F, -48-I, -48-S

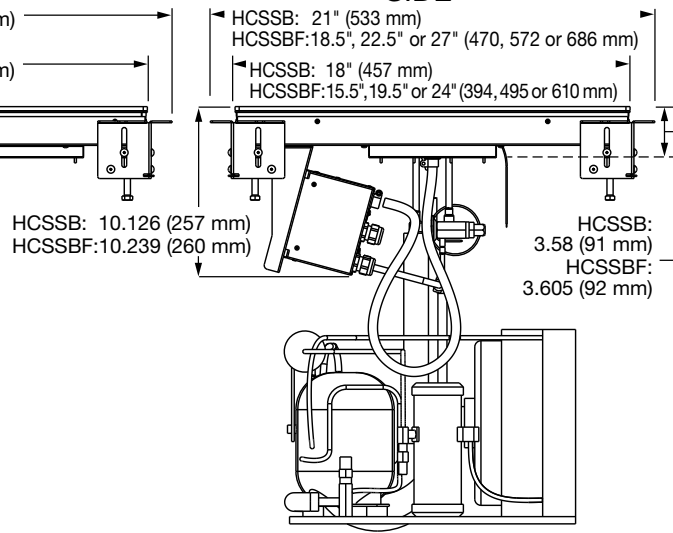
HCSBF-24-F, -24-I, -24-S, -36-F, -36-I, -36-S, -48-F, -48-I, -48-S

## HCSSB, HCSSBF

### FRONT

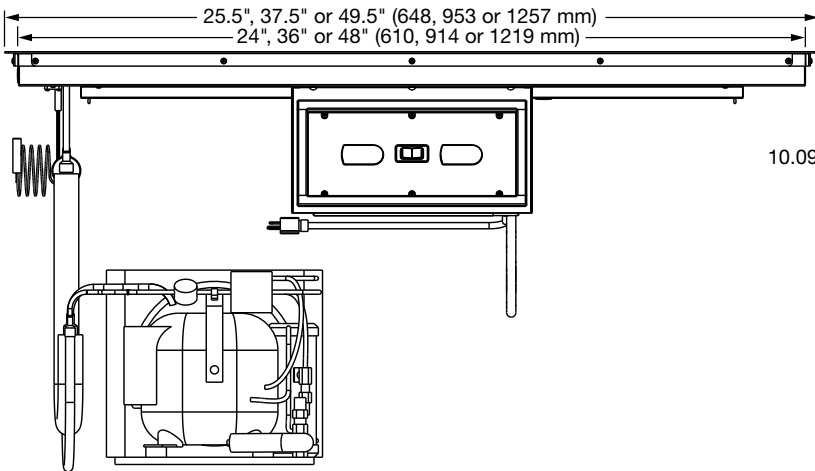


### SIDE

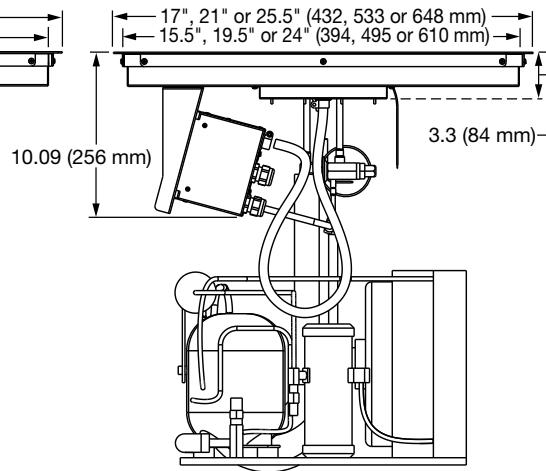


## HCSBF

### FRONT



### SIDE



## SPECIFICATIONS

Hot/Cold Simulated Stone<sup>▲</sup> Shelves - Built-In (flush to countertop) \*

The shaded areas contain electrical information for International models

Model	Overall Dimensions W x D x H	Usable Shelf Space W x D of heated/cooled surface	Comp. Size HP	Voltage*	Cold Side Watts	Hot Side Watts	Amps	Hz	Plug	Approximate Ship Weight
HCSSB-2418	27" x 21" x 10.126" (686 x 533 x 257 mm)	24" x 18" (610 x 457 mm)	1/4	120	804	405	6.7	60	NEMA 5-15P	133 lb. (61 kg)
				220	616	371	2.8	50	CEE 7-7 Schuko BS-1363, AS3112	
				230	667	405	2.9			
			1/3	240	744	441	3.1	60	BS-1363	
				220	686	371	3.1			
				230	749	405	3.3			
HCSSB-3018	33" x 21" x 10.126" (838 x 533 x 257 mm)	30" x 18" (762 x 457 mm)	1/4	120	804	510	6.7	60	NEMA 5-15P	150 lb. (68 kg)
				220	616	467	2.8	50	CEE 7-7 Schuko BS-1363, AS3112	
				230	667	510	2.9			
			1/3	240	744	555	3.1	60	BS-1363	
				220	686	467	3.1			
				230	749	510	3.3			
				240	816	555	3.4			

▲Models with simulated stone are Swanstone® \*All voltages non-CE \* Contact Hatco for R-513A refrigerant specifications.

continued on next page

HATCO CORPORATION

P.O. Box 340500 Milwaukee, WI 53234-0500 U.S.A.

(800) 558-0607

(414) 671-6350

www.hatcocorp.com

support@hatcocorp.com



# Hot/Cold Built-In Shelves

Models: HCSSB-2418, -3018, -3618, -4818

HCSSBF-24-F, -24-I, -24-S, -36-F, -36-I, -36-S, -48-F, -48-I, -48-S

HCSSBF-24-F, -24-I, -24-S, -36-F, -36-I, -36-S, -48-F, -48-I, -48-S

## SPECIFICATIONS

Hot/Cold Simulated Stone<sup>▲</sup> Shelves - Built-In (flush to countertop) \* *continued from previous page*

The shaded areas contain electrical information for International models

Model	Overall Dimensions W x D x H	Usable Shelf Space W x D of heated/cooled surface	Comp. Size HP	Voltage*	Cold Side Watts	Hot Side Watts	Amps	Hz	Plug	Approximate Ship Weight	
HCSSB-3618	39" x 21" x 10.126" (991 x 533 x 257 mm)	36" x 18" (914 x 457 mm)	1/3	1/4	120	804	610	6.7	60	NEMA 5-15P	160 lb. (73 kg)
				50	220	616	558	2.8	CEE 7-7 Schuko, BS-1363, AS3112		
					230	667	610	2.9			
					240	744	664	3.1			
				60	220	686	558	3.1	BS-1363		
					230	749	610	3.3			
					240	816	664	3.4			
HCSSB-4818	51" x 21" x 10.126" (1295 x 533 x 257 mm)	48" x 18" (1219 x 457 mm)	1/3	1/3	120	468	815	6.8	60	NEMA 5-15P	187 lb. (85 kg)
				50	220	807	746	3.7	CEE 7-7 Schuko, BS-1363, AS3112		
					230	882	815	3.8			
					240	960	887	4.0			
				60	220	686	746	3.1	BS-1363		
					230	749	815	3.3			
					240	816	887	3.4			

## SPECIFICATIONS

Hot/Cold Simulated Stone<sup>▲</sup> Built-In Shelves - Flush Top \*

The shaded areas contain electrical information for International models

Model	Overall Dimensions W x D x H	Usable Shelf Space W x D of heated/cooled surface	Comp. Size HP	Volts*	Cold Side Watts	Hot Side Watts	Amps	Hz	Plug	Approximate Ship Weight	
HCSSBF-24-F	27" x 18.5" x 10.239 (686 x 470 x 260 mm)	24" x 15.5" (610 x 394 mm)	1/3	1/4	120	804	355	6.7	60	NEMA 5-15P	139 lbs. (64 kg)
				50	220	616	325	2.8	CEE 7-7 Schuko, BS-1363, AS3112		
					230	667	355	2.9			
					240	744	387	3.1			
				60	220	686	325	3.1	BS-1363		
					230	749	355	3.3			
					240	816	387	3.4			
HCSSBF-24-I	27" x 22.5" x 10.239 (686 x 572 x 260 mm)	24" x 19.5" (610 x 495 mm)	1/3	1/4	120	804	445	6.7	60	NEMA 5-15P	134 lbs. (61 kg)
				50	220	616	407	2.8	CEE 7-7 Schuko, BS-1363, AS3112		
					230	667	445	2.9			
					240	744	485	3.1			
				60	220	686	407	3.1	BS-1363		
					230	749	445	3.3			
					240	816	485	3.4			
HCSSBF-24-S	27" x 27" x 10.239 (686 x 686 x 260 mm)	24" x 24" (610 x 610 mm)	1/3	1/4	120	804	550	6.7	60	NEMA 5-15P	150 lbs. (68 kg)
				50	220	616	503	2.8	CEE 7-7 Schuko, BS-1363, AS3112		
					230	667	550	2.9			
					240	744	599	3.1			
				60	220	686	503	3.1	BS-1363		
					230	749	550	3.3			
					240	816	599	3.4			
HCSSBF-36-F	39" x 18.5" x 10.239 (991 x 470 x 260 mm)	36" x 15.5" (914 x 394 mm)	1/3	1/4	120	804	530	6.7	60	NEMA 5-15P	146 lbs. (66 kg)
				50	220	616	485	2.8	CEE 7-7 Schuko, BS-1363, AS3112		
					230	667	530	2.9			
					240	744	577	3.1			
				60	220	686	485	3.1	BS-1363		
					230	749	530	3.3			
					240	816	577	3.4			
HCSSBF-36-I	39" x 22.5" x 10.239 (991 x 572 x 260 mm)	36" x 19.5" (914 x 495 mm)	1/3	1/3	120	468	670	6.5	60	NEMA 5-15P	164 lbs. (75 kg)
				50	220	807	613	3.7	CEE 7-7 Schuko, BS-1363, AS3112		
					230	882	670	3.8			
					240	960	730	4.0			
				60	220	686	613	3.1	BS-1363		
					230	749	670	3.3			
					240	816	730	3.4			

▲Models with simulated stone are Swanstone® \*All voltages non-CE \* Contact Hatco for R-513A refrigerant specifications.

*(continued from previous page)*

**HATCO CORPORATION**

P.O. Box 340500 Milwaukee, WI 53234-0500 U.S.A.

(800) 558-0607 | (414) 671-6350

www.hatcocorp.com

support@hatcocorp.com



# Hot/Cold Built-In Shelves

Models: HCSSB-2418, -3018, -3618, -4818

HCSSBF-24-F, -24-I, -24-S, -36-F, -36-I, -36-S, -48-F, -48-I, -48-S

HCSBF-24-F, -24-I, -24-S, -36-F, -36-I, -36-S, -48-F, -48-I, -48-S

## SPECIFICATIONS

### Hot/Cold Simulated Stone<sup>▲</sup> Built-In Shelves - Flush Top \*

(continued from previous page)

The shaded areas contain electrical information for International models

Model	Overall Dimensions W x D x H	Usable Shelf Space W x D of heated/cooled surface	Comp. Size HP	Volts*	Cold Side Watts	Hot Side Watts	Amps	Hz	Plug	Approximate Ship Weight	
HCSSBF-36-S	39" x 27" x 10.239 (991 x 686 x 260 mm)	36" x 24" (914 x 610 mm)	1/3	120	468	825	6.9	60	NEMA 5-15P	180 lbs. (82 kg)	
				3/8	220	807	755	3.7	50		CEE 7-7 Schuko, BS-1363, AS3112
					230	882	825	3.8			
			240		960	898	4.0				
			1/3	220	686	755	3.1	60	BS-1363		
				230	749	825	3.3				
240	816	898		3.4							
HCSSBF-48-F	51" x 18.5" x 10.239 (1295 x 470 x 260 mm)	48" x 15.5" (1219 x 394 mm)	1/3	120	468	710	6.5	60	NEMA 5-15P	183 lbs. (82 kg)	
				3/8	220	807	650	3.7	50		CEE 7-7 Schuko, BS-1363, AS3112
					230	882	710	3.8			
			240		960	773	4.0				
			1/3	220	686	650	3.1	60	BS-1363		
				230	749	710	3.3				
240	816	773		3.4							
HCSSBF-48-I	51" x 22.5" x 10.239 (1295 x 572 x 260 mm)	48" x 19.5" (1219 x 495 mm)	1/3	120	468	890	7.4	60	NEMA 5-15P	195 lbs. (89 kg)	
				3/8	220	807	814	3.7	50		CEE 7-7 Schuko, BS-1363, AS3112
					230	882	890	3.8			
			240		960	969	4.0				
			1/3	220	686	814	3.1	60	BS-1363		
				230	749	890	3.3				
240	816	969		3.4							
HCSSBF-48-S	51" x 27" x 10.239 (1295 x 686 x 260 mm)	48" x 24" (1219 x 610 mm)	1/2	120	1380	1100	11.5	60	NEMA 5-15P	220 lbs. (100 kg)	
				50	220	1190	1006	5.4	CEE 7-7 Schuko, BS-1363, AS3112		
					230	1300	1100	5.7			
					240	1416	1198	5.9			
				60	220	1210	1006	5.5	BS-1363		
					230	1322	1100	5.8			
240	1440	1198	6.0								

## SPECIFICATIONS

### Hot/Cold Shelves - Built-In, Flush Top (Aluminum) \*

The shaded areas contain electrical information for International models

Model	Overall Dimensions W x D x H	Usable Shelf Space W x D of heated/cooled surface	Comp. Size HP	Volts*	Cold Side Watts	Hot Side Watts	Amps	Hz	Plug	Approximate Ship Weight	
HCSBF-24-F	25.5" x 17" x 10.09" (648 x 432 x 256 mm)	24" x 15.5" (610 x 394 mm)	1/4	120	804	355	6.7	60	NEMA 5-15P	119 lbs. (54 kg)	
				1/3	220	616	325	2.8	50		CEE 7-7 Schuko, BS-1363, AS3112
					230	667	355	2.9			
			240		744	387	3.1				
			1/3	220	686	325	3.1	60	BS-1363		
				230	749	355	3.3				
240	816	387		3.4							
HCSBF-24-I	25.5" x 21" x 10.09" (648 x 533 x 256 mm)	24" x 19.5" (610 x 495 mm)	1/4	120	804	445	6.7	60	NEMA 5-15P	126 lbs. (57 kg)	
				1/3	220	616	407	2.8	50		CEE 7-7 Schuko, BS-1363, AS3112
					230	667	445	2.9			
			240		744	485	3.1				
			1/3	220	686	407	3.1	60	BS-1363		
				230	749	445	3.3				
240	816	485		3.4							
HCSBF-24-S	25.5" x 25.5" x 10.09" (648 x 648 x 256 mm)	24" x 24" (610 x 610 mm)	1/4	120	804	550	6.7	60	NEMA 5-15P	140 lbs. (64 kg)	
				1/3	220	616	503	2.8	50		CEE 7-7 Schuko, BS-1363, AS3112
					230	667	550	2.9			
			240		744	599	3.1				
			1/3	220	686	503	3.1	60	BS-1363		
				230	749	550	3.3				
240	816	599		3.4							

▲Models with simulated stone are Swanstone® \*All voltages non-CE \* Contact Hatco for R-513A refrigerant specifications.

(continued on next page)

HATCO CORPORATION

P.O. Box 340500 Milwaukee, WI 53234-0500 U.S.A.

(800) 558-0607

(414) 671-6350

www.hatcocorp.com

support@hatcocorp.com



# Hot/Cold Built-In Shelves

Models: HCSSB-2418, -3018, -3618, -4818

HCSBF-24-F, -24-I, -24-S, -36-F, -36-I, -36-S, -48-F, -48-I, -48-S

HCSBF-24-F, -24-I, -24-S, -36-F, -36-I, -36-S, -48-F, -48-I, -48-S

## SPECIFICATIONS

Hot/Cold Shelves - Built-In, Flush Top (Aluminum)\*\*

The shaded areas contain electrical information for international models

Model	Overall Dimensions W x D x H	Usable Shelf Space W x D of heated/cooled surface	Comp. Size HP	Volts*	Cold Side Watts	Hot Side Watts	Amps	Hz	Plug	Approximate Ship Weight
HCSBF-36-F	37.5" x 17" x 10.09" (953 x 432 x 256 mm)	36" x 15.5" (914 x 394 mm)	1/4	120	804	530	6.7	60	NEMA 5-15P	155 lbs. (70 kg)
				220	616	485	2.8	50	CEE 7-7 Schuko, BS-1363, AS3112	
			1/3	230	667	530	2.9			
				240	744	577	3.1			
				220	686	485	3.1			
				230	749	530	3.3			
240	816	577	3.4							
HCSBF-36-I	37.5" x 21" x 10.09" (953 x 533 x 256 mm)	36" x 19.5" (914 x 495 mm)	1/3	120	468	670	6.5	60	NEMA 5-15P	159 lbs. (72 kg)
				220	807	613	3.7	50	CEE 7-7 Schuko, BS-1363, AS3112	
			3/8	230	882	670	3.8			
				240	960	730	4.0			
				220	686	613	3.1			
				230	749	670	3.3			
240	816	730	3.4							
HCSBF-36-S	37.5" x 25.5" x 10.09" (953 x 648 x 256 mm)	36" x 24" (914 x 610 mm)	1/3	120	468	825	6.9	60	NEMA 5-15P	164 lbs. (74 kg)
				220	807	755	3.7	50	CEE 7-7 Schuko, BS-1363, AS3112	
			3/8	230	882	825	3.8			
				240	960	898	4.0			
				220	686	755	3.4			
				230	749	825	3.5			
240	816	898	3.7							
HCSBF-48-F	49.5" x 17" x 10.09" (1257 x 432 x 256 mm)	48" x 15.5" (1219 x 394 mm)	1/3	120	468	710	6.5	60	NEMA 5-15P	161 lbs. (74 kg)
				220	807	650	3.7	50	CEE 7-7 Schuko, BS-1363, AS3112	
			3/8	230	882	710	3.8			
				240	960	773	4.0			
				220	686	650	3.1			
				230	749	710	3.3			
240	816	773	3.4							
HCSBF-48-I	49.5" x 21" x 10.09" (1257 x 533 x 256 mm)	48" x 19.5" (1219 x 495 mm)	1/3	120	468	890	7.4	60	NEMA 5-15P	172 lbs. (78 kg)
				220	807	814	3.7	50	CEE 7-7 Schuko, BS-1363, AS3112	
			3/8	230	882	890	3.9			
				240	960	969	4.0			
				220	686	814	3.7			
				230	749	890	3.9			
240	816	969	4.0							
HCSBF-48-S	49.5" x 25.5" x 10.09" (1257 x 648 x 256 mm)	48" x 24" (1219 x 610 mm)	1/2	120	1380	1100	11.5	60	NEMA 5-15P	204 lbs. (93 kg)
				220	1190	1006	5.4	50	CEE 7-7 Schuko, BS-1363, AS3112	
			1/2	230	1300	1100	5.7			
				240	1416	1198	5.9			
				220	1210	1006	5.5			
				230	1322	1100	5.8			
240	1440	1198	6.0							

\*All voltages non-CE

\*\* Contact Hatco for R-513A refrigerant specifications.



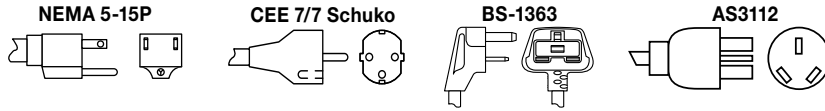
# Hot/Cold Built-In Shelves

Models: HCSSB-2418, -3018, -3618, -4818

HCSSBF-24-F, -24-I, -24-S, -36-F, -36-I, -36-S, -48-F, -48-I, -48-S

HCSBF-24-F, -24-I, -24-S, -36-F, -36-I, -36-S, -48-F, -48-I, -48-S

## PLUG CONFIGURATION



## COUNTERTOP CUTOUT SIZE

See Installation and Operating Manual for more information

Model	Width with .375" (10 mm) radii	Depth with .375" (10 mm) radii
HCSSB-2418	24.375" (619 mm)	18.375" (467 mm)
HCSSB-3018	30.375" (772 mm)	18.375" (467 mm)
HCSSB-3618	36.375" (924 mm)	18.375" (467 mm)
HCSSB-4818	48.375" (1229 mm)	18.375" (467 mm)

Model	Width with .375" (10 mm) radii	Depth with .375" (10 mm) radii
HCSSBF-24-F	24.375" (619 mm)	15.875" (403 mm)
HCSSBF-24-I	24.375" (619 mm)	19.875" (505 mm)
HCSSBF-24-S	24.375" (619 mm)	24.375" (619 mm)
HCSSBF-36-F	36.375" (924 mm)	15.875" (403 mm)
HCSSBF-36-I	36.375" (924 mm)	19.875" (505 mm)
HCSSBF-36-S	36.375" (924 mm)	24.375" (619 mm)
HCSSBF-48-F	48.375" (1229 mm)	15.875" (403 mm)
HCSSBF-48-I	48.375" (1229 mm)	19.875" (505 mm)
HCSSBF-48-S	48.375" (1229 mm)	24.375" (619 mm)

Model	Width		Depth	
	Minimum	Maximum	Minimum	Maximum
HCSBF-24-F	24.6" (625 mm)	25.0" (635 mm)	16.1" (409 mm)	16.5" (419 mm)
HCSBF-24-I	24.6" (625 mm)	25.0" (635 mm)	20.1" (511 mm)	20.5" (521 mm)
HCSBF-24-S	24.6" (625 mm)	25.0" (635 mm)	24.6" (625 mm)	25.0" (635 mm)
HCSBF-36-F	36.6" (930 mm)	37.0" (940 mm)	16.1" (409 mm)	16.5" (419 mm)
HCSBF-36-I	36.6" (930 mm)	37.0" (940 mm)	20.1" (511 mm)	20.5" (521 mm)
HCSBF-36-S	36.6" (930 mm)	37.0" (940 mm)	24.6" (625 mm)	25.0" (635 mm)
HCSBF-48-F	48.6" (1234 mm)	49.0" (1245 mm)	16.1" (409 mm)	16.5" (419 mm)
HCSBF-48-I	48.6" (1234 mm)	49.0" (1245 mm)	20.1" (511 mm)	20.5" (521 mm)
HCSBF-48-S	48.6" (1234 mm)	49.0" (1245 mm)	24.6" (625 mm)	25.0" (635 mm)

Model	Width (should not exceed)	Height (should not exceed)
Control Box	13.0625" (332 mm)	5.75" 146 mm)

## PRODUCT SPECS Hot/Cold Built-In Shelves

The Hot/Cold Built-In Shelf, patent pending, shall be model ... as manufactured by the Hatco Corporation, Milwaukee, WI 53234 U.S.A.

The Hot/Cold Built-In Shelf shall be rated at ... watts, ... volts, and ... inches (millimeters) in overall width. It shall utilize R-404A or R-513A refrigerant and consist of

food-safe material, Condenser attached to Evaporator with 5 foot (1524 mm) flexible tubing, adjustable bracket with cord and plug attached.

Warranty consists of 24/7 parts and service assistance (U.S. and Canada only).

**HATCO CORPORATION** | P.O. Box 340500 Milwaukee, WI 53234-0500 U.S.A.  
 (800) 558-0607 | (414) 671-6350 | www.hatcocorp.com | support@hatcocorp.com