



Project \_\_\_\_\_  
 Item # \_\_\_\_\_  
 Quantity \_\_\_\_\_

## Glo-Ray® Fry Station Warmers

Ceramic Models:

GRFSC-18, GRFSCL-18, GRFSCR-18, GRFSCLR-18

Metal Sheathed Models:

GRFS-24, GRFSL-24, GRFSR-24, GRFSLR-24

Hatco Glo-Ray® Fry Station Warmers safely keep fried foods at optimum serving temperatures. Heating elements direct Glo-Ray's pre-focused heat without continuing to cook or dry out the food.

### Standard features

- Designed with a swing-away post mount, on-off toggle switch, and attached cord with plug
- Pre-focused heat maintains safe serving temperatures longer
- Built-in top heat source features a swing-away post mount
- Models containing metal sheathed heating elements are available with 10", 11", 12", or 13" (254, 279, 305, or 330 mm) clearance above holding area
- Models with ceramic elements have 16.75", 18", or 20" (425, 457, or 508 mm) clearance above holding area
- Easy installation
- Models with an "R" are without cord and plug, UL recognized and primarily used by fabricators or UL approved facilities
- Models with "L" contain two incandescent lights
- Metal sheathed heating elements guaranteed against burnout and breakage for two years
- All ceramic heating elements warranted against burnout for one year



GRFSCL-18  
 Swing-away post mount

### Options (available at time of purchase only)

- Halogen Bulb in lieu of Standard Display Light
- Infinite Control (GRFS and GRFSL models only)

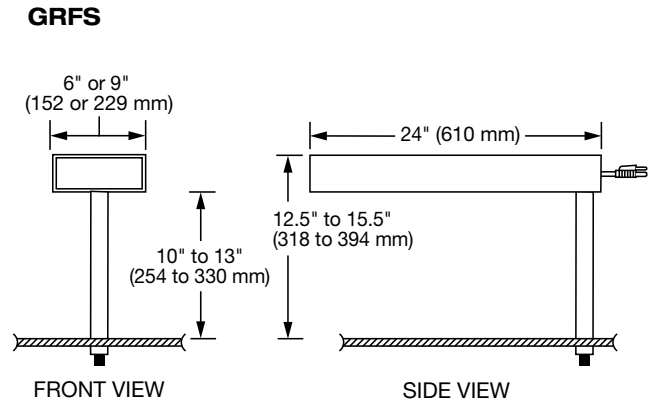
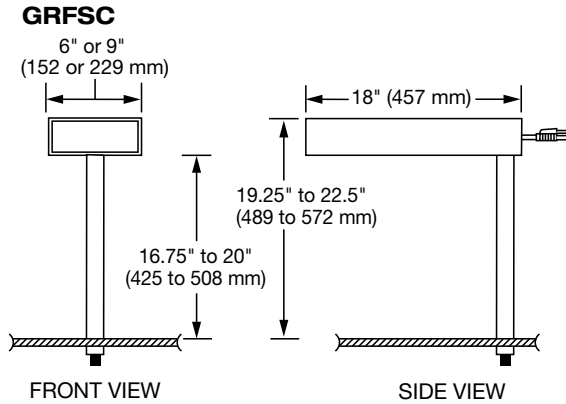
For operation, location and safety information, please refer to the Installation & Operating Manual.





# Glo-Ray® Fry Station Warmers

Models: GRFSC-18, GRFSCL-18, GRFSCR-18, GRFSCLR-18, GRFS-24, GRFSL-24, GRFSR-24, GRFSLR-24



## SPECIFICATIONS - Glo-Ray® Fry Station Warmers Ceramic Elements

When ordering, specify clearance of: 16.75", 18" (Standard), or 20"  
(425, 457 (Standard), or 508 mm)

Model • Dimensions (W x D x H)	Volts Single Phase	Watts	Amps	Plug	Ship Weight*
GRFSC-18 6" x 18" x 19.25"-22.5" (152 x 457 x 489-572 mm)	120	750	6.3	NEMA 5-15P	11 lbs. (5 kg)
	220	630	2.9	CEE 7/7 Schuko	
	240	750	3.1	BS-1363	
	220-230 (CE)	630-689	2.9-3.0	CEE 7/7 Schuko	
	230-240 (CE)	689-750	3.0-3.1	BS-1363	
GRFSCL-18 9" x 18" x 19.25"-22.5" (229 x 457 x 489-572 mm)	120	870	7.3	NEMA 5-15P	13 lbs. (6 kg)
	220	730	3.3	CEE 7/7 Schuko	
	240	870	3.6	BS-1363	
	220-230 (CE)	730-799	3.3-3.5	CEE 7/7 Schuko	
GRFSCR-18† 6" x 18" x 19.25"-22.5" (152 x 457 x 489-572 mm)	120	750	6.3	-	12 lbs (5 kg)
	220	630	2.9		
	240	750	3.1		
	220-230 (CE)	630-689	2.9-3.0		
GRFSCLR-18† 9" x 18" x 19.25"-22.5" (229 x 457 x 489-572 mm)	120	870	7.3	-	13 lbs (6 kg)
	220	730	3.3		
	240	870	3.6		
	220-230 (CE)	730-799	3.3-3.5		
	230-240 (CE)	799-870	3.5-3.6		

## Metal Sheathed Elements

When ordering, specify clearance of: 10", 11", 12", or 13" (Standard)  
(254, 279, 305, or 330 mm (Standard))

Model • Dimensions (W x D x H)	Volts Single Phase	Watts	Amps	Plug	Ship Weight*	
GRFS-24 6" x 24" x 12.5"-15.5" (152 x 610 x 318-394 mm)	120	500	4.2	NEMA 5-15P	10 lbs. (5 kg)	
	208		2.4	NEMA-6-15P		
	220		2.3	CEE 7/7 Schuko		
	240		2.1	BS-1363		
	220-230 (CE)		500-547	2.3-2.4		CEE 7/7 Schuko
	230-240 (CE)		459-500	2.0-2.1		BS-1363
GRFSL-24 9" x 24" x 12.5"-15.5" (229 x 610 x 318-394 mm)	120	620	5.2	NEMA 5-15P	13 lbs. (6 kg)	
	220	592	2.7	CEE 7/7 Schuko		
	240	608	2.5	BS-1363		
	220-230 (CE)	600-656	2.7-2.9	CEE 7/7 Schuko		
GRFSR-24† 6" x 24" x 12.5"-15.5" (152 x 610 x 318-394 mm)	120	500	4.2	-	10 lbs. (5 kg)	
	208		2.4			
	240		2.1			
	220		2.3			
	240		2.1			
	220-230 (CE)		500-547			2.3-2.4
GRFSLR-24† 9" x 24" x 12.5"-15.5" (229 x 610 x 318-394 mm)	120	620	5.2	-	13 lbs. (6 kg)	
	120/208		3.4			
	120/220		3.1			
	220		600			2.7
	240		620			2.6
	220-230 (CE)		600-657			2.7-2.9
230-240 (CE)	569-620	2.5-2.6				

\* Shipping weight includes packaging.

† Fry Station Warmer without cord and plug, UL and C-UR Recognized. Supply wires through mounting post.

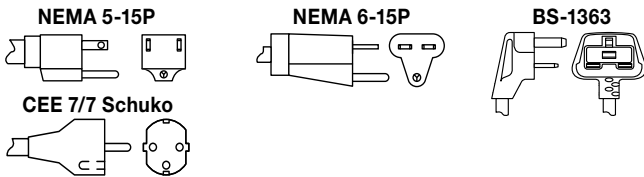
• "L" in model name indicates unit with 2 lights.

■ The shaded areas contain electrical information for International models only

## CORD LOCATION

Back, upper middle.

## PLUG CONFIGURATIONS



## PRODUCT SPECS - Fry Station Warmers

The Fry Station Warmers shall be a Glo-Ray® manufactured by the Hatco Corporation, Milwaukee, WI 53234 U.S.A.

The Fry Holding Station Warmers shall be rated at ... watts, ... volts, and be ... inches (millimeters) in overall width. It shall consist of either a stainless steel housing or an

aluminum housing with ceramic or metal sheathed heating elements. Portable warmer features wire guards, shatter-resistant incandescent display lights, a lighted on-off switch, and 6' (1829 mm) cord and plug.

Warranty consists of 24/7 parts and service assistance (U.S. and Canada only).