



Project \_\_\_\_\_  
 Item # \_\_\_\_\_  
 Quantity \_\_\_\_\_

## Glo-Ray® Portable Foodwarmers

Models: GR-B, GRFF, GRFFL, GRFFB, GRFFBL

Hatco Glo-Ray® Portable Foodwarmers keep food hot at kitchen work areas, waitress pickup stations or customer serving points. Available in models and sizes to meet every food warming need.

### Standard features

- Available with heat above the food, below the food, or both
- GR-B has a preset automatic thermostat to maintain proper base temperatures
- GRFF has a stand to keep food holding pans off the work area and allows easy access from three sides
- GRFFL models include two shatter resistant incandescent lights
- GRFFB's base conducts heat from the bottom while infrared elements heat from above
- GRFFB has a clearance of 12", 14", or 16" (305, 356, or 406 mm) between heated base and upper housing
- Hatco can custom design portable foodwarmers to meet customer specifications or to fit an unusual situation
- Factory pre-wired with a 6' (1829 mm) cord and plug



### Options (available at time of purchase only)

**Designer Colors** – One color per unit, heated base is not powdercoated (not available on GR-B models)

- Warm Red     Black     Gray Granite     White Granite  
 Navy Blue     Hunter Green     Antique Copper

**Gloss Finishes** – One color per unit, heated base is not powdercoated (not available on GR-B models)

- Gleaming Gold     Glossy Gray     Bold Black  
 Radiant Red     Brilliant Blue

9"W x 5.5"H (229 x 140 mm) Display Sign Holder (Sign not included) (GRFFL model with back toggle only) adds 3" (76 mm) to height of unit

- Infinite Control (not available on GR-B or units with sign holder)  
 Halogen Bulb

### Accessories

- 5 Pleat Hardcoated French Fry Box Ribbon  
 8 Pleat Hardcoated French Fry Bag Ribbon  
 Food Holding Pans  
 Wire Trivets

**For operation, location and safety information, please refer to the Installation & Operating Manual.**

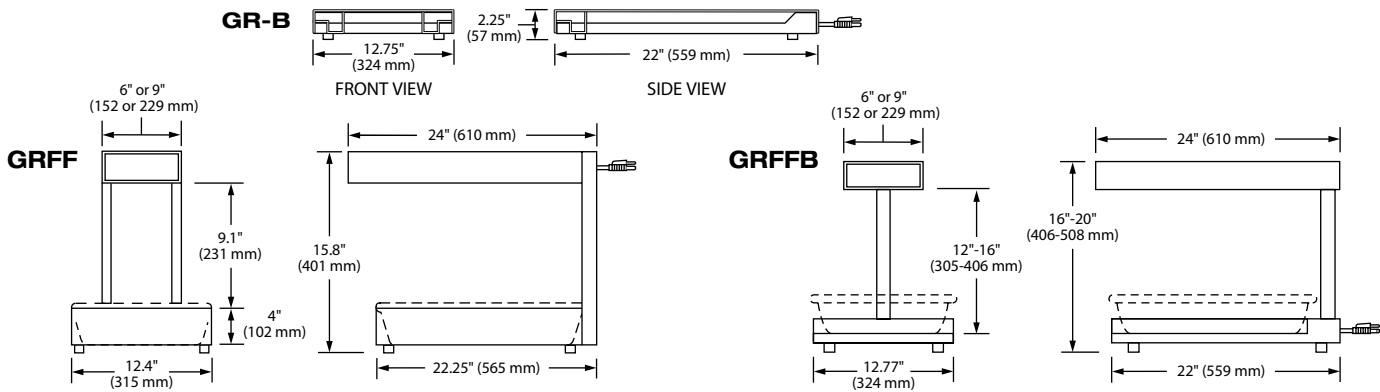


**HATCO CORPORATION** | P.O. Box 340500 Milwaukee, WI 53234-0500 U.S.A.  
 (800) 558-0607 | (414) 671-6350 | www.hatcocorp.com | support@hatcocorp.com



# Glo-Ray® Portable Foodwarmers

Models: GR-B, GRFF, GRFFL, GRFFB, GRFFBL



## SPECIFICATIONS - Glo-Ray® Portable Foodwarmers

The shaded areas contain electrical information for International models only

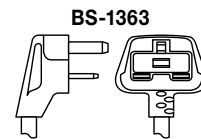
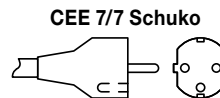
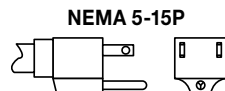
| Model  | Dimensions (Width x Depth x Height)             | Volts        | Phase  | Watts   | Amps    | Plug           | Ship Weight*    |                |
|--------|---|--------------|--------|---------|---------|----------------|-----------------|----------------|
| GR-B   | 12.75" x 22" x 2.25" (324 x 559 x 57 mm)        | 120          | Single | 250     | 2.1     | NEMA 5-15P     | 14 lbs. (6 kg)  |                |
|        |   | 220          |        | 250     | 1.1     | CEE 7/7 Schuko |                 |                |
|        |   | 240          |        | 210-230 | 1.0     | CEE 7/7 Schuko |                 |                |
|        |   | 220-230 (CE) |        | 230-250 |         | BS-1363        |                 |                |
|        |   | 230-240 (CE) |        |         |         | BS-1363        |                 |                |
| GRFF   | 12.4" x 24" x 15.8" (315 x 610 x 401 mm)        | 100          | Single | 500     | 5.0     | NEMA 5-15P     | 14 lbs. (6 kg)  |                |
|        |   | 120          |        |         | 4.2     | NEMA 5-15P     |                 |                |
|        |   | 220          |        |         | 2.3     | CEE 7/7 Schuko |                 |                |
|        |   | 240          |        | 2.1     | BS-1363 |                |                 |                |
|        |   | 220-230 (CE) |        | 500-546 | 2.3-2.4 | CEE 7/7 Schuko |                 |                |
|        |   | 230-240 (CE) |        | 459-500 | 2.0-2.1 | BS-1363        |                 |                |
| GRFFL  | 12.4" x 24" x 15.8" (315 x 610 x 401 mm)        | 100          | Single | 584     | 5.8     | NEMA 5-15P     | 14 lbs. (6 kg)  |                |
|        |   | 120          |        |         | 6.5     | NEMA 5-15P     |                 |                |
|        |   | 220          |        |         | 6.0     | CEE 7/7 Schuko |                 |                |
|        |   | 240          |        |         | 6.20    | 5.6            |                 | BS-1363        |
|        |   | 220-230 (CE) |        |         | 600-656 | 6.1-6.4        |                 | CEE 7/7 Schuko |
|        |   | 230-240 (CE) |        |         | 569-620 | 5.4-5.6        |                 | BS-1363        |
| GRFFB  | 12.75" x 24" x 16"-20" (324 x 610 x 406-508 mm) | 100          | Single | 750     | 7.5     | NEMA 5-15P     | 29 lbs. (13 kg) |                |
|        |   | 120          |        |         | 6.3     | NEMA 5-15P     |                 |                |
|        |   | 220          |        |         | 7.10    | 3.2            |                 | CEE 7/7 Schuko |
|        |   | 240          |        |         | 7.50    | 3.1            |                 | BS-1363        |
|        |   | 220-230 (CE) |        |         | 710-777 | 3.2-3.4        |                 | CEE 7/7 Schuko |
|        |   | 230-240 (CE) |        |         | 689-750 | 3.1            |                 | BS-1363        |
| GRFFBL | 12.75" x 24" x 16"-20" (324 x 610 x 406-508 mm) | 100          | Single | 833     | 8.3     | NEMA 5-15P     | 34 lbs. (15 kg) |                |
|        |   | 120          |        |         | 8.70    | 7.3            |                 | NEMA 5-15P     |
|        |   | 220          |        |         | 8.10    | 3.7            |                 | CEE 7/7 Schuko |
|        |   | 240          |        |         | 8.70    | 3.6            |                 | BS-1363        |
|        |   | 220-230 (CE) |        |         | 810-867 | 3.7-3.8        |                 | CEE 7/7 Schuko |
|        |   | 230-240 (CE) |        |         | 799-870 | 3.6            |                 | BS-1363        |

\*Shipping weight includes packaging.

### CORD LOCATION

GR-B, GRFFB, GRFFBL: Back, lower middle.  
 GRFF, GRFFL: Back, upper middle.

### PLUG CONFIGURATIONS



### PRODUCT SPECS Portable Foodwarmers

The Portable Foodwarmer shall be a Glo-Ray® manufactured by the Hatco Corporation, Milwaukee, WI 53234 U.S.A.

The Portable Foodwarmer shall be rated ... watts, ... volts, single phase and be ... inches (millimeters) in overall width.

The Glo-Ray shall consist of aluminum housing and include an infrared heating

element that shall be tubular metal sheathed. Optional shatter resistant incandescent display lights and heated base. Accessories shall include food holding pans, trivets, and ribbons.

Warranty consists of 24/7 parts and service assistance (U.S. and Canada only).

**HATCO CORPORATION**

(800) 558-0607 | (414) 671-6350

P.O. Box 340500 Milwaukee, WI 53234-0500 U.S.A.

www.hatcocorp.com | support@hatcocorp.com