



Project _____
 Item # _____
 Quantity _____

Glo-Ray® Portable Foodwarmers

Models: GR-B, GRFF, GRFFL, GRFFB, GRFFBL

Hatco Glo-Ray® Portable Foodwarmers keep food hot at kitchen work areas, waitress pickup stations or customer serving points. Available in models and sizes to meet every food warming need.

Standard features

- Available with heat above the food, below the food, or both
- GR-B has a preset automatic thermostat to maintain proper base temperatures
- GRFF has a stand to keep food holding pans off the work area and allows easy access from three sides
- GRFFL models include two shatter resistant incandescent lights
- GRFFB's base conducts heat from the bottom while infrared elements heat from above
- GRFFB has a clearance of 12", 14", or 16" (305, 356, or 406 mm) between heated base and upper housing
- Hatco can custom design portable foodwarmers to meet customer specifications or to fit an unusual situation
- Factory pre-wired with a 6' (1829 mm) cord and plug



Options (available at time of purchase only)

Designer Colors – One color per unit, heated base is not powdercoated (not available on GR-B models)

- Warm Red Black Gray Granite White Granite
 Navy Blue Hunter Green Antique Copper

Gloss Finishes – One color per unit, heated base is not powdercoated (not available on GR-B models)

- Gleaming Gold Glossy Gray Bold Black
 Radiant Red Brilliant Blue

9"W x 5.5"H (229 x 140 mm) Display Sign Holder (Sign not included) (GRFFL model with back toggle only) adds 3" (76 mm) to height of unit

- Infinite Control (not available on GR-B or units with sign holder)
 Halogen Bulb

Accessories

- 5 Pleat Hardcoated French Fry Box Ribbon
 8 Pleat Hardcoated French Fry Bag Ribbon
 Food Holding Pans
 Wire Trivets

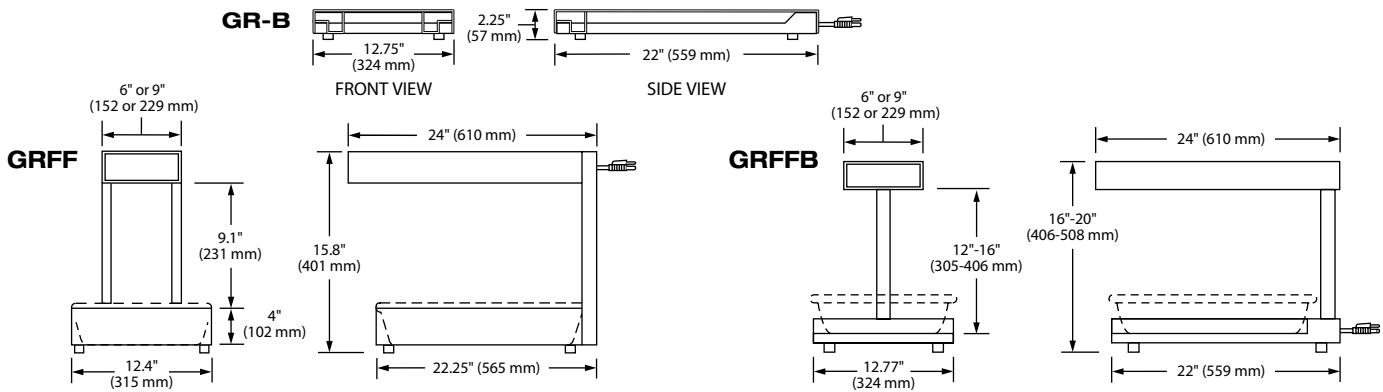
For operation, location and safety information, please refer to the Installation & Operating Manual.





Glo-Ray® Portable Foodwarmers

Models: GR-B, GRFF, GRFFL, GRFFB, GRFFBL



SPECIFICATIONS - Glo-Ray® Portable Foodwarmers

The shaded areas contain electrical information for International models only

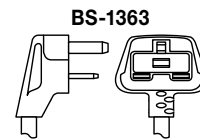
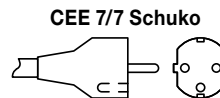
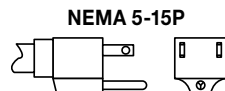
Model	Dimensions (Width x Depth x Height)	Volts	Phase	Watts	Amps	Plug	Ship Weight*	
GR-B	12.75" x 22" x 2.25" (324 x 559 x 57 mm)	120	Single	250	2.1	NEMA 5-15P	14 lbs. (6 kg)	
		220		250	1.1	CEE 7/7 Schuko		
		240		210-230	1.0	CEE 7/7 Schuko		
		220-230 (CE)		230-250		BS-1363		
		230-240 (CE)						
GRFF	12.4" x 24" x 15.8" (315 x 610 x 401 mm)	100	Single	500	5.0	NEMA 5-15P	14 lbs. (6 kg)	
		120			4.2	NEMA 5-15P		
		220			2.3	CEE 7/7 Schuko		
		240		2.1	BS-1363			
		220-230 (CE)		500-546	2.3-2.4	CEE 7/7 Schuko		
		230-240 (CE)		459-500	2.0-2.1	BS-1363		
GRFFL	12.4" x 24" x 15.8" (315 x 610 x 401 mm)	100	Single	584	5.8	NEMA 5-15P	14 lbs. (6 kg)	
		120			6.5	NEMA 5-15P		
		220			6.0	CEE 7/7 Schuko		
		240			6.20	5.6		BS-1363
		220-230 (CE)			600-656	6.1-6.4		CEE 7/7 Schuko
		230-240 (CE)			569-620	5.4-5.6		BS-1363
GRFFB	12.75" x 24" x 16"-20" (324 x 610 x 406-508 mm)	100	Single	750	7.5	NEMA 5-15P	29 lbs. (13 kg)	
		120			6.3	NEMA 5-15P		
		220			7.10	3.2		CEE 7/7 Schuko
		240			7.50	3.1		BS-1363
		220-230 (CE)			710-777	3.2-3.4		CEE 7/7 Schuko
		230-240 (CE)			689-750	3.1		BS-1363
GRFFBL	12.75" x 24" x 16"-20" (324 x 610 x 406-508 mm)	100	Single	833	8.3	NEMA 5-15P	34 lbs. (15 kg)	
		120			8.70	7.3		NEMA 5-15P
		220			8.10	3.7		CEE 7/7 Schuko
		240			8.70	3.6		BS-1363
		220-230 (CE)			810-867	3.7-3.8		CEE 7/7 Schuko
		230-240 (CE)			799-870	3.6		BS-1363

*Shipping weight includes packaging.

CORD LOCATION

GR-B, GRFFB, GRFFBL: Back, lower middle.
 GRFF, GRFFL: Back, upper middle.

PLUG CONFIGURATIONS



PRODUCT SPECS Portable Foodwarmers

The Portable Foodwarmer shall be a Glo-Ray® manufactured by the Hatco Corporation, Milwaukee, WI 53234 U.S.A.

The Portable Foodwarmer shall be rated ... watts, ... volts, single phase and be ... inches (millimeters) in overall width.

The Glo-Ray shall consist of aluminum housing and include an infrared heating

element that shall be tubular metal sheathed. Optional shatter resistant incandescent display lights and heated base. Accessories shall include food holding pans, trivets, and ribbons.

Warranty consists of 24/7 parts and service assistance (U.S. and Canada only).

HATCO CORPORATION

(800) 558-0607 | (414) 671-6350

P.O. Box 340500 Milwaukee, WI 53234-0500 U.S.A.

www.hatcocorp.com | support@hatcocorp.com