



Project _____
 Item # _____
 Quantity _____

Glo-Ray® Buffet Warmers

Models: GRBW-24, -30, -36, -42, -48, -54, -60, -66, -72

Glo-Ray® Buffet Warmers are ideal for holding hot food on buffet lines or at temporary serving areas. Seven optional *Designer* powdercoated colors coordinate these warmers with the décor while providing a durable, easy-to-clean surface.

A metal sheathed element directs heat from above while the thermostatically-controlled heated base conducts heat below.

Standard features

- Pre-focused infrared top heat directs heat to the outer edges of the holding surface where heat loss is the greatest
- Thermostatically-controlled heated base has a temperature range of 80° to 200°F (27°-93°C)
- Widths available from 25" - 78.25" (635-1988 mm)
- Features a 6' (1829 mm) cord and plug set
- Shatter-resistant incandescent lights enhance product display while safeguarding food products from bulb breakage
- Sturdy plexi-glass sneeze guards provide a safe environment
- Metal sheathed elements guaranteed against burnout and breakage for two years



Options

(available at time of purchase only)

Designer Colors - Non-standard colors are non-returnable -

- Warm Red Black Gray Granite White Granite
- Navy Blue Hunter Green Antique Copper

Acrylic Front Enclosure

- GRBW-24 and -30 GRBW-36, -42 and -48

Two Plexi-Glass Side Enclosures

Hardcoated Surface

- GRBW-24 through GRBW-42 GRBW-48 through GRBW-72

Infinite Control for top heat only (GRBW-24 through GRBW-60 only)

Sneeze Guard in lieu of standard 7.5" (191 mm)

- 9.375" (238 mm) 14" (356 mm)

Accessories

4"(102 mm) adjustable legs (standard on units GRBW-36 or wider)

Pan Rail (cannot use with Acrylic Front Enclosure)

- 2 Rail 3 Rail 4 Rail 5 Rail

Trivets - stainless steel

- Half-size 10.2"W x 7.6"D x" (259 x 194 mm)
- Full-size 10.125"W x 18"D x (257 x 457 mm)

Stainless steel food holding pans

- Third-size 12.75"W x 6.9" D x 2.5"H (324 x 175 x 64 mm)
- Half-size 12.75"W x 10.4"D x 2.5"H (324 x 264 x 64 mm)
- Full-size 12.75"W x 20.75"D x 2.5"H (324 x 527 x 64 mm)
- Full-size 12.75"W x 20.75"D x 4"H (324 x 527 x 102 mm)

ChefLED bulb (Bulbs must be rotated down)

- 120V: 2700K warm 3000K warm 4000K cool

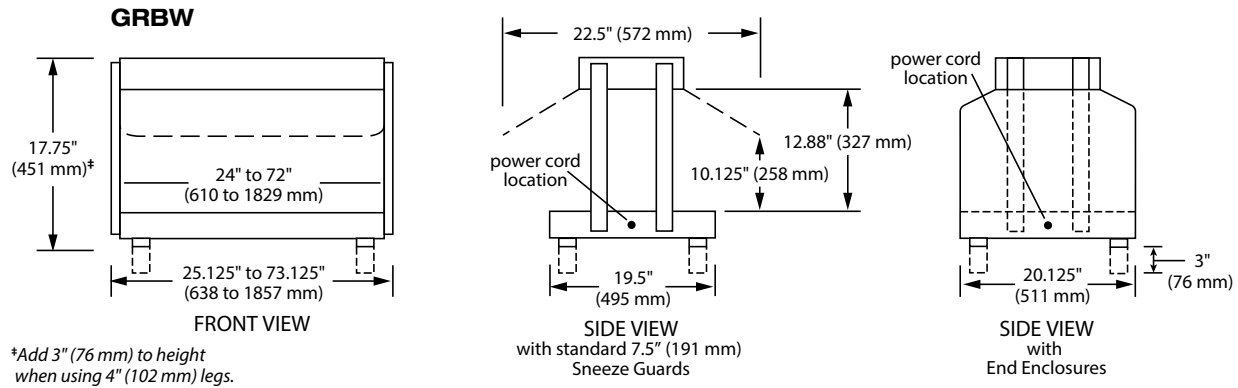
For operation, location and safety information, please refer to the Installation & Operating Manual.





Glo-Ray® Buffet Warmers

Models: GRBW-24, -30, -36, -42, -48, -54, -60, -66, -72



SPECIFICATIONS Glo-Ray® Buffet Warmers

The shaded areas contain electrical information for International models

Model	Number of Light Bulbs	Dimensions W x D x H (height includes legs)	Maximum Full Size Pan Capacity 12.75" x 20.75" pan (324 x 527 mm pan)	Volts	Watts	Amps	Plug Configuration	Ship Weight*
GRBW-24	2	25" x 22.5" x 17.75" (635 x 572 x 451 mm) Legs: 1" (25 mm)	1	100	934	9.3	NEMA 5-15P	46 lbs. (21 kg.)
				120	970	8.1	NEMA 5-15P	
				120/208		4.2	NEMA L14-20P	
				120/240		4.2	NEMA L14-20P	
				220	920	4.2	CEE 7/7 Schuko	
				240	1000	4.2	BS-1363	
				220-230 (CE)	920-1006	4.2-4.4	CEE 7/7 Schuko	
230-240 (CE)	918-1000	4.0-4.2	BS-1363					
GRBW-30	2	31" x 22.5" x 17.75" (787 x 572 x 451 mm) Legs: 1" (25 mm)	2	100	1194	11.9	NEMA 5-15P	52 lbs. (24 kg.)
				120	1230	10.3	NEMA 5-15P	
				120/208		5.5	NEMA L14-20P	
				120/240		5.5	NEMA L14-20P	
				220	1172	5.3	CEE 7/7 Schuko	
				240	1270	5.3	BS-1363	
				220-230 (CE)	1172-1281	5.3-5.6	CEE 7/7 Schuko	
230-240 (CE)	1166-1270	5.1-5.3	BS-1363					
GRBW-36*	3	37" x 22.5" x 20.75" (940 x 572 x 527 mm) Legs: 4" (102 mm)	2	100	1476	14.8	NEMA 5-15P	58 lbs. (26 kg.)
				120	1530	12.8	NEMA 5-15P [▲]	
				120/208		6.7	NEMA L14-20P	
				120/240		6.7	NEMA L14-20P	
				220	1454	6.6	CEE 7/7 Schuko	
				240	1578	6.6	BS-1363	
				220-230 (CE)	1454-1589	6.6-6.9	CEE 7/7 Schuko	
230-240 (CE)	1449-1578	6.3-6.6	BS-1363					
GRBW-42*	3	43" x 22.5" x 20.75" (1092 x 572 x 527 mm) Legs: 4" (102 mm)	3	120	1730	14.4	NEMA 5-15P [▲]	68 lbs. (31 kg.)
				120/208		7.9	NEMA L14-20P	
				120/240		7.9	NEMA L14-20P	
				220	1648	7.5	CEE 7/7 Schuko	
				240	1782	7.4	BS-1363	
				220-230 (CE)	1648-1801	7.4-7.8	CEE 7/7 Schuko	
				230-240 (CE)	1636-1782	7.1-7.4	BS-1363	

► If end enclosures are included, add 1" (27 mm) to width of unit.

* Shipping weight includes packaging.

▲ Canadian models use NEMA 5-20P.

♦ NSF requires units 36" (914 mm) in width and over or weighing more than 80 lbs. (36 kg) be either sealed to, or raised on the installation surface with 4" (102 mm) legs (included).



Glo-Ray® Buffet Warmers

Models: GRBW-24, -30, -36, -42, -48, -54, -60, -66, -72

SPECIFICATIONS Glo-Ray® Buffet Warmers

The shaded areas contain electrical information for International models

Model	Number of Bulbs	Dimensions W x D x H (height includes legs)	Maximum Full Size Pan Capacity 12.75" x 20.75" pan (324 x 527 mm pan)	Volts	Watts	Amps	Plug Configuration	Ship Weight*
GRBW-48♦	4	49" x 22.5" x 20.75" (1245 x 572 x 527 mm) Legs: 4" (102 mm)	3	120	2040	17.0	NEMA 5-20P †	75 lbs. (34 kg.)
				120/208		9.2	NEMA L14-20P	
				120/240		9.2	NEMA L14-20P	
				220	1940	8.8	CEE 7/7 Schuko	
				240	2040	8.5	BS-1363	
				220-230 (CE)	1940-2120	8.8-9.2	CEE 7/7 Schuko	
				230-240 (CE)	1875-2040	8.1-8.5	BS-1363	
GRBW-54♦	4	55" x 22.5" x 20.75" (1397 x 572 x 527 mm) Legs: 4" (102 mm)	4	120/208	2290	10.4	NEMA L14-20P	81 lbs. (37 kg.)
				120/240			NEMA L14-20P	
				220	2182	9.9	CEE 7/7 Schuko	
				240	2360	9.8	BS-1363	
				220-230 (CE)	2182-2385	9.9-10.4	CEE 7/7 Schuko	
				230-240 (CE)	2167-2360	9.4-9.8	BS-1363	
GRBW-60♦	5	61" x 22.5" x 20.75" (1549 x 572 x 527 mm) Legs: 4" (102 mm)	4	120/208	2600	11.7	NEMA L14-20P	90 lbs. (41 kg.)
				120/240			NEMA L14-20P	
				220	2474	11.2	CEE 7/7 Schuko	
				240	2680	11.2	BS-1363	
				220-230 (CE)	2474-2704	11.2-11.8	CEE 7/7 Schuko	
				230-240 (CE)	2470-2680	10.7-11.2	BS-1363	
GRBW-66♦	5	67" x 22.5" x 20.75" (1702 x 572 x 527 mm) Legs: 4" (102 mm)	5	120/208	2860	13.0	NEMA L14-20P	96 lbs. (44 kg.)
				120/240			NEMA L14-20P	
				220	2726	12.4	CEE 7/7 Schuko	
				240	2948	12.3	BS-1363	
				220-230 (CE)	2726-2978	12.4-12.9	CEE 7/7 Schuko	
				230-240 (CE)	2707-2948	11.8-12.3	BS-1363	
GRBW-72♦	5	73" x 22.5" x 20.75" (1854 x 572 x 527 mm) Legs: 4" (102 mm)	5	120/208	3125	14.4	NEMA L14-20P	107 lbs. (49 kg.)
				120/240			NEMA L14-20P	
				220	2983	13.6	CEE 7/7 Schuko	
				240	3113	13.0	BS-1363	
				220-230 (CE)	2983-3260	13.6-14.2	CEE 7/7 Schuko	
				230-240 (CE)	2859-3113	12.4-13.0	BS-1363	

► If end enclosures are included, add 1" (27 mm) to width of unit.

* Shipping weight includes packaging.

♦ NSF requires units 36" (914 mm) in width and over or weighing more than 80 lbs. (36 kg) to be either sealed, or raised on the installation surface with 4" (102 mm) legs included.

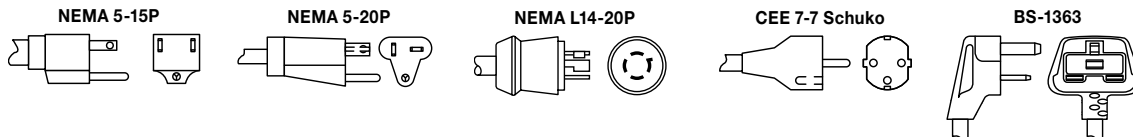
† Not available in Canada.

CORD LOCATION

Base end plate, same side as switch.

PLUG CONFIGURATIONS

Please refer to electrical specification chart.



PRODUCT SPECS

Glo-Ray® Buffet Warmers

The infrared Buffet Warmer shall be a Glo-Ray® Model ... as manufactured by the Hatco Corporation, Milwaukee, WI 53234 U.S.A.

The warmer shall be rated at ... watts, ... volts, and be ... inches (millimeters) in overall width. It shall consist of a thermostatically- controlled heated base, breath protector(s), and incandescent display lights.

The infrared heating element shall be tubular metal sheathed and the warmer shall have a cord with plug attached.

Accessories shall include pan rail, 4" (102 mm) adjustable legs, stainless steel food pans, wire trivets and Chef LED bulb.

Warranty consists of 24/7 parts and service assistance (U.S. and Canada only).

HATCO CORPORATION | P.O. Box 340500 Milwaukee, WI 53234-0500 U.S.A.
(800) 558-0607 | (414) 671-6350 | www.hatcocorp.com | support@hatcocorp.com