



Project \_\_\_\_\_  
 Item # \_\_\_\_\_  
 Quantity \_\_\_\_\_

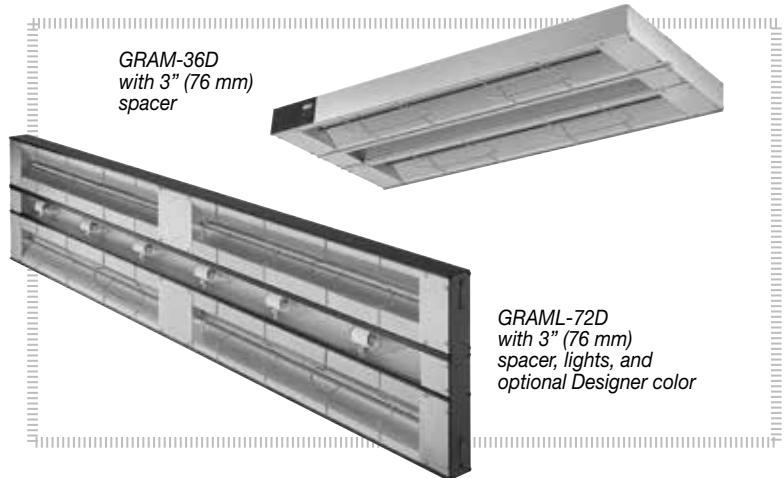
# Glo-Ray® Aluminum Max Watt Dual Infrared Strip Heaters

Models: GRAM-18D, -24D, -30D, -36D, -42D, -48D, -54D, -60D, -66D, -72D, -84D, -96D, -108D, -120D, -132D, -144D  
 GRAML-18D, -24D, -30D, -36D, -42D, -48D, -54D, -60D, -66D, -72D, -84D, -96D, -108D, -120D, -132D, -144D

Create a deeper holding area with Glo-Ray® Aluminum Max Watt Dual Infrared Strip Heaters mounted side-by-side, keeping hot food at optimum serving temperatures. The pre-focused heat pattern directs heat from a metal-sheathed element, bathing the entire holding surface. The continuous aluminum housing and heavy-duty mountings ensure the durability and quality of Hatco products.

## Standard features

- 25% greater wattage output than Glo-Ray high watt:
  - GRAM-xxD models vary from 900 to 8300 watts
  - GRAML-xxD models vary from 1020 to 9020 watts
- Available in widths from 18" to 72" (457-1829 mm) in 6" (152 mm) increments and 84" to 144" (2134-3658 mm) in 12" (305 mm) increments
- 3" (76 mm) or 6" (152 mm) spacer available
- Sturdy extruded aluminum housings eliminate sagging.
- Pre-focused heat maintains serving temperatures longer without continuing to cook the food
- Protective wire guard supports heating element without affecting heat distribution
- Available control options include an Electronic Infinite Control with relay in a Remote Control Enclosure
- Heavy-duty insulation minimizes heat loss
- GRAML models offer shatter-resistant incandescent lights that enhance product display while safeguarding food products from bulb breakage (optional halogen bulb)
- Includes Angle Brackets and Attached or Remote Control Enclosure with toggles
- Additional reflector styles and lower wattage elements also available, please consult factory for more information
- Metal-sheathed heating element part guaranteed against burnout and breakage for two years



## Options (available at time of purchase only)

- Housing  
 15" (381 mm)     18" (457 mm)
- Housing in *Designer Color* or *Gloss Finish*† – Clear anodized standard  
 Warm Red     Black     Gray Granite     White Granite     Navy Blue  
 Hunter Green     Antique Copper     Gleaming Gold     Glossy Gray  
 Bold Black     Brilliant Blue     Radiant Red
- RMB in *Designer Color* or *Gloss Finish*† – Clear anodized standard  
 Warm Red     Black     Gray Granite     White Granite     Navy Blue  
 Hunter Green     Antique Copper     Gleaming Gold     Glossy Gray  
 Bold Black     Brilliant Blue     Radiant Red
- Power Leads Extended Beyond Standard 3' (914 mm) Conduit (specify lead length)  
 1'-5' (305-1525 mm)     6'-10' (1829-3048 mm)  
 11'-15' (3352-4572 mm)     16'-20' (4877-6096 mm)
- Remote Control Enclosure with Toggle Control Switch, Electronic Infinite Control, Relay and Indicator Light (in lieu of standard remote control box)
- Bright Annealed Reflector for lights with:  
 3' Spacer (76 mm)     6' (152 mm) Spacer
- Non-Adjustable Tubular Stands (choose clearance and color below)  
 18" (457 mm)     20" (508 mm)     22" (559 mm)     24" (610 mm)
- Designer Color* or *Gloss Finish*† for Non-Adjustable Tubular Stands  
 Warm Red     Black     Gray Granite     White Granite  
 Navy Blue     Hunter Green     Antique Copper     Gleaming Gold  
 Glossy Gray     Bold Black     Brilliant Blue     Radiant Red
- Halogen Bulb in lieu of Incandescent Display Light (60 watt) – GRAML models only  
 No Bulbs – GRAML models only

† Non-standard colors are non-returnable

**For operation, location and safety information, please refer to the Installation & Operating Manual.**

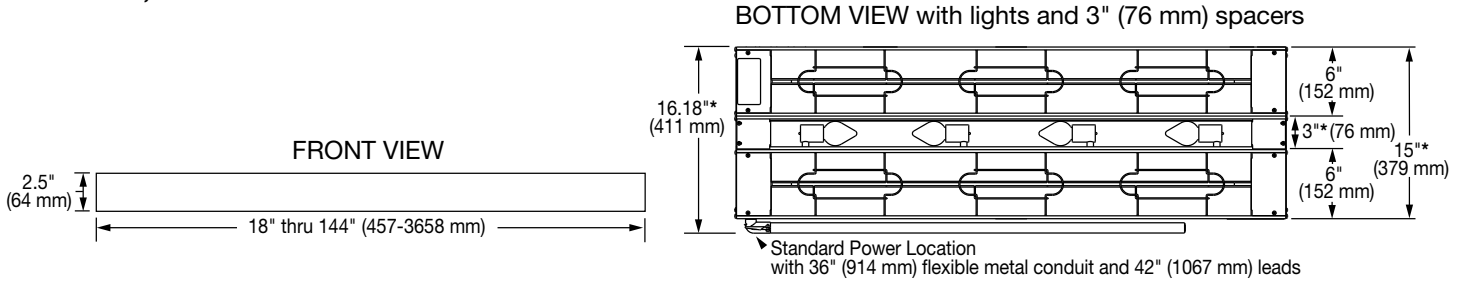




# Glo-Ray® Aluminum Max Watt Dual Infrared Strip Heaters

Models: GRAM-18D, -24D, -30D, -36D, -42D, -48D, -54D, -60D, -66D, -72D, -84D, -96D, -108D, -120D, -132D, -144D  
 GRAML-18D, -24D, -30D, -36D, -42D, -48D, -54D, -60D, -66D, -72D, -84D, -96D, -108D, -120D, -132D, -144D

## GRAM-xxD, GRAML-xxD



## SPECIFICATIONS

### Glo-Ray® Designer Dual Infrared Strip Heaters

**Dimensions:** Units with 3" (76 mm) Spacer (standard): 18" to 144"W x 15"D x 2.5"H (457-3658 x 381 x 64 mm)

Units with 6" (152 mm) Spacer: 18" to 144"W x 18"D x 2.5"H (457-3658 x 457 x 64 mm)

For special widths, consult factory

**Phase:** All Single Phase

**The shaded areas contain electrical information for international models**

\*Add 3" (76 mm) for 6" (152 mm) spacer

| GRAM-xxD Models |       |       |      |                    | GRAML-xxD Models |       |       |      |                    | Both Models      |
|-----------------|-------|-------|------|--------------------|------------------|-------|-------|------|--------------------|------------------|
| Model           | Volts | Watts | Amps | Ship Weight.*      | Model            | Volts | Watts | Amps | Ship Weight.*      | Width            |
| GRAM-18D        | 120   | 900   | 7.5  | 14 lbs.<br>(6 kg)  | GRAML-18D §      | 120   | 1020  | 8.5  | 14 lbs.<br>(6 kg)  | 18"<br>(457 mm)  |
|                 | 208   |       | 4.3  |                    |                  | 5.3   |       |      |                    |                  |
|                 | 240   |       | 3.8  |                    |                  | 4.8   |       |      |                    |                  |
| GRAM-24D        | 120   | 1300  | 10.8 | 16 lbs.<br>(7 kg)  | GRAML-24D §      | 120   | 1420  | 11.8 | 16 lbs.<br>(7 kg)  | 24"<br>(610 mm)  |
|                 | 208   |       | 6.3  |                    |                  | 7.3   |       |      |                    |                  |
|                 | 240   |       | 5.4  |                    |                  | 6.4   |       |      |                    |                  |
| GRAM-30D        | 120   | 1650  | 13.8 | 18 lbs.<br>(8 kg)  | GRAML-30D §      | 120   | 1770  | 14.8 | 19 lbs.<br>(9 kg)  | 30"<br>(762 mm)  |
|                 | 208   |       | 7.9  |                    |                  | 8.9   |       |      |                    |                  |
|                 | 240   |       | 6.9  |                    |                  | 7.9   |       |      |                    |                  |
| GRAM-36D ■      | 120   | 2000  | 16.7 | 21 lbs.<br>(10 kg) | GRAML-36D ■ §    | 120   | 2180  | 18.2 | 22 lbs.<br>(10 kg) | 36"<br>(914 mm)  |
|                 | 208   |       | 9.6  |                    |                  | 11.1  |       |      |                    |                  |
|                 | 240   |       | 8.3  |                    |                  | 9.8   |       |      |                    |                  |
| GRAM-42D ■      | 120   | 2350  | 19.6 | 24 lbs.<br>(11 kg) | GRAML-42D ■ §    | 120   | 2530  | 21.1 | 25 lbs.<br>(11 kg) | 42"<br>(1067 mm) |
|                 | 208   |       | 11.3 |                    |                  | 12.8  |       |      |                    |                  |
|                 | 240   |       | 9.8  |                    |                  | 11.3  |       |      |                    |                  |
| GRAM-48D ■      | 120   | 2600  | 21.7 | 27 lbs.<br>(12 kg) | GRAML-48D ■ §    | 120   | 2840  | 23.7 | 29 lbs.<br>(13 kg) | 48"<br>(1219 mm) |
|                 | 208   |       | 12.5 |                    |                  | 14.5  |       |      |                    |                  |
|                 | 240   |       | 10.8 |                    |                  | 12.8  |       |      |                    |                  |
| GRAM-54D ■      | 120   | 3000  | 25.0 | 30 lbs.<br>(14 kg) | GRAML-54D ■ §    | 120   | 3240  | 27.0 | 33 lbs.<br>(15 kg) | 54"<br>(1372 mm) |
|                 | 208   |       | 14.4 |                    |                  | 16.4  |       |      |                    |                  |
|                 | 240   |       | 12.5 |                    |                  | 14.5  |       |      |                    |                  |
| GRAM-60D ■      | 120   | 3400  | 28.3 | 34 lbs.<br>(15 kg) | GRAML-60D ■ §    | 120   | 3700  | 30.8 | 37 lbs.<br>(17 kg) | 60"<br>(1524 mm) |
|                 | 208   |       | 16.3 |                    |                  | 18.8  |       |      |                    |                  |
|                 | 240   |       | 14.2 |                    |                  | 16.7  |       |      |                    |                  |
| GRAM-66D ■▲     | 120   | 3750  | 31.3 | 37 lbs.<br>(17 kg) | GRAML-66D ■ § ▲  | 120   | 3950  | 32.9 | 39 lbs.<br>(18 kg) | 66"<br>(1676 mm) |
|                 | 208   |       | 18.0 |                    |                  | 20.5  |       |      |                    |                  |
|                 | 240   |       | 15.6 |                    |                  | 18.1  |       |      |                    |                  |

\* Shipping weight includes packaging, does not include RMB. Add 2 – 8 lbs. (1 – 3 kg) to shipping weight depending on size of remote control enclosure.

■ May require additional switches, consult factory for applications.

§ GRAML-xxD models with multiple voltages (120/208 or 120/240) have multiple internal circuits. For example a 120/208 volt unit utilizes 120 volts for light circuit and 208 volts for the heat circuit(s).

▲ 120 volt models require additional switches and tandem (end-to-end) elements or the use of RMB-GRAM-INF.

**NOTE:** Other control options available, consult factory.

**CAUTION:** Light-equipped strip heaters that require a circuit breaker 20 amps or larger must be installed with a remote control enclosure containing a fuse rated at 20 amps or less for the light circuit.



# Glo-Ray® Aluminum Max Watt Dual Infrared Strip Heaters

Models: GRAM-18D, -24D, -30D, -36D, -42D, -48D, -54D, -60D, -66D, -72D, -84D, -96D, -108D, -120D, -132D, -144D  
 GRAML-18D, -24D, -30D, -36D, -42D, -48D, -54D, -60D, -66D, -72D, -84D, -96D, -108D, -120D, -132D, -144D

## SPECIFICATIONS

### Glo-Ray® Designer Dual Infrared Strip Heaters

**Dimensions:** Units with 3" (76 mm) Spacer (standard): 18" to 144"W x 15"D x 2.5"H (457-3658 x 381 x 64 mm)  
 Units with 6" (152 mm) Spacer: 18" to 144"W x 18"D x 2.5"H (457-3658 x 457 x 64 mm)

For special widths, consult factory

**Phase:** All Single Phase

The shaded areas contain electrical information for International models

| GRAM-xxD Models |       |       |      |                    | GRAML-xxD Models    |         |       |      |                    | Both Models       |
|-----------------|-------|-------|------|--------------------|---------------------|---------|-------|------|--------------------|-------------------|
| Model           | Volts | Watts | Amps | Ship Weight.*      | Model               | Volts   | Watts | Amps | Ship Weight.*      | Width             |
| GRAM-72D ■ ▲    | 120   | 4150  | 34.6 | 41 lbs.<br>(19 kg) | GRAML-72D ■ § ▲     | 120     | 4510  | 37.6 | 42 lbs.<br>(19 kg) | 72"<br>(1829 mm)  |
|                 | 208   |       | 20.0 |                    |                     | 23.0    |       |      |                    |                   |
|                 | 240   |       | 17.3 |                    |                     | 20.3    |       |      |                    |                   |
| GRAM-84D ■ ▲    | 120   | 4800  | 40.0 | 44 lbs.<br>(20 kg) | GRAML-84D ■ § ▲     | 120     | 5220  | 43.5 | 47 lbs.<br>(21 kg) | 84"<br>(2134 mm)  |
|                 | 208   |       | 23.1 |                    |                     | 26.6    |       |      |                    |                   |
|                 | 240   |       | 20.0 |                    |                     | 23.5    |       |      |                    |                   |
| GRAM-96D ■ ▲ ▼  | 120   | 5200  | 43.3 | 52 lbs.<br>(24 kg) | GRAML-96D ■ § ▲ ▼ ▶ | 120     | 5830  | 48.6 | 56 lbs.<br>(25 kg) | 96"<br>(2438 mm)  |
|                 | 208   |       | 25.7 |                    |                     | 29.7    |       |      |                    |                   |
|                 | 240   |       | 22.3 |                    |                     | 26.3    |       |      |                    |                   |
| GRAM-108D †     | 208   | 6000  | 28.8 | 59 lbs.<br>(27 kg) | GRAML-108D † § ▶    | 120/208 | 6540  | 33.3 | 64 lbs.<br>(29 kg) | 108"<br>(2743 mm) |
|                 | 240   |       | 25.0 |                    |                     | 29.5    |       |      |                    |                   |
| GRAM-120D †     | 208   | 6800  | 32.7 | 66 lbs.<br>(30 kg) | GRAML-120D † § ▶    | 120/208 | 7400  | 37.7 | 72 lbs.<br>(33 kg) | 120"<br>(3048 mm) |
|                 | 240   |       | 28.3 |                    |                     | 33.3    |       |      |                    |                   |
| GRAM-132D †     | 208   | 7500  | 36.1 | 73 lbs.<br>(33 kg) | GRAML-132D † § ▶    | 120/208 | 8160  | 41.6 | 79 lbs.<br>(36 kg) | 132"<br>(3353 mm) |
|                 | 240   |       | 31.3 |                    |                     | 36.8    |       |      |                    |                   |
| GRAM-144D †     | 208   | 8300  | 39.9 | 80 lbs.<br>(36 kg) | GRAML-144D † § ▶    | 120/208 | 9020  | 45.9 | 86 lbs.<br>(39 kg) | 144"<br>(3658 mm) |
|                 | 240   |       | 34.6 |                    |                     | 40.6    |       |      |                    |                   |

\* Shipping weight includes packaging, does not include RMB. Add 2 – 8 lbs. (1 – 3 kg) to shipping weight depending on size of remote control enclosure.

▲ May require additional switches, consult factory for applications.

† Contain tandem (end-to-end) elements that may be individually controlled.

§ GRAML-xxD models with multiple voltages (120/208 or 120/240) have multiple internal circuits. For example a 120/208 volt unit utilizes 120 volts for light circuit and 208 volts for the heat circuit(s).

▲ 120 volt models require additional switches and tandem (end-to-end) elements or the use of RMB-GRAM-INF.

▼ When using an infinite control with 120 volt model, additional switch(es) and tandem (end-to-end) elements are required.  
 ▶ Available with Remote Control Enclosure, RMB-GRAM-INF or loose remote switches"

**NOTE:** Other control options available, consult factory.

**CAUTION:** Light-equipped strip heaters that require a circuit breaker 20 amps or larger must be installed with a remote control enclosure containing a fuse rated at 20 amps or less for the light circuit.

## RECOMMENDED MOUNTING HEIGHTS

(Refer to the Installation section of the manual on the Hatco website)

**3" (76 mm) Spacer:** Height: 18"-24" (457-610 mm)  
 Target Width: 21" (533 mm)

**6" (152 mm) Spacer:** Height: 18"-24" (457-610 mm)  
 Target Width: 24" (610 mm)

### Under shelf Mounting:

When mounting a unit under a shelf, use adjustable angle brackets to assure proper spacing. Remote control enclosures are required to keep switches out of the heat zone and prevent premature failure.

### Pass-Through

If pass-through area is 12" to 16" (305 to 406 mm) deep, a single unit can be used. For a 20" to 24" (508 to 610 mm) deep pass-through area, a dual unit is recommended. Installation of multiple units must have a minimum spacing of 3" (76 mm) between heaters.

## PRODUCT SPECS

### Glo-Ray® Aluminum Max Watt Dual Infrared Foodwarmers

The Aluminium Max Watt Dual Infrared Foodwarmer shall be a Glo-Ray®, manufactured by the Hatco Corporation, Milwaukee, WI 53234 U.S.A.

The Foodwarmer shall be a Glo-Ray Model ..., rated at ... watts, ... volts, single phase and be ... millimeters in overall width.

The Glo-Ray shall consist of an aluminum housing and include as standard equipment adjustable angle brackets and a Remote Control Enclosure with toggle switch, Electronic Infinite Control, relay, and indicator light.

### Dual Mounting

When mounting units side-by-side, a space not less than 3" (76 mm) must be maintained between units.

## MINIMUM CLEARANCES

**Combustibles - Can not be installed in combustible surroundings**

### Non-Combustibles

#### Remote Switches:

Below over shelf: 1" (25 mm)  
 Unit to surface below: 15" (381 mm)  
 Unit to back of wall: 3" (76 mm)

## LEADS

3' (914 mm) conduit with leads – server's right.

The infrared heating element shall be tubular metal sheathed. The foodwarmer shall be factory assembled ready for electrical installation.

Options shall include Housing and RMB in Designer Colors, Extended electrical leads, Remote Control Enclosure (RMB), Bright Anneal Reflector Lights, Non-Adjustable Tubular Stands (NTL) in various lengths, Designer Color or Gloss finish for NTL, and Halogen Bulb (GRAML models only) and No Bulbs (GRAML only).

Warranty consists of 24/7 parts and service assistance (U.S. and Canada only).