



Project _____
 Item # _____
 Quantity _____

Glo-Ray® Aluminum Dual Infrared Strip Heaters

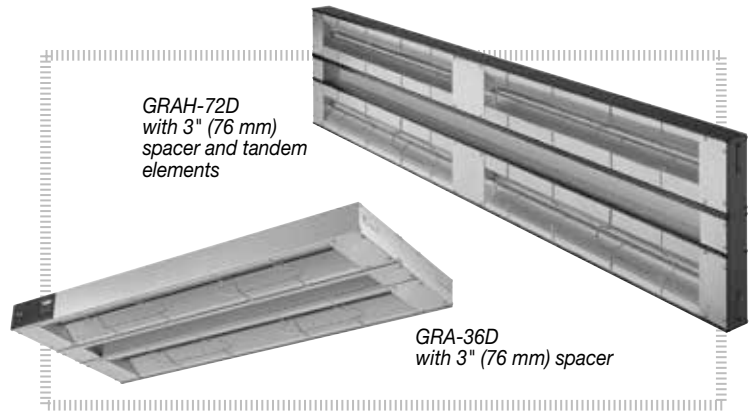
Models:

- GRA-18D, -24D, -30D, -36D, -42D, -48D, -54D, -60D, -66D, -72D, -84D, -96D, -108D, -120D, -132D, -144D
 GRAH-18D, -24D, -30D, -36D, -42D, -48D, -54D, -60D, -66D, -72D, -84D, -96D, -108D, -120D, -132D, -144D

Create a deeper holding area with Glo-Ray® Aluminum Dual Infrared Foodwarmers with two heaters mounted side-by-side, keeping hot food at optimum serving temperatures. The pre-focused heat pattern directs heat from a metal sheathed element across the entire holding surface. The continuous aluminum housing and heavy-duty mountings ensure the durability and quality of Hatco products.

Standard features

- Provides even heat distribution – no “cold spots”
- Pre-focused heat maintains safe serving temperatures longer
- Sturdy extruded aluminum housings that do not sag, from 18" to 144" (457 to 3658 mm)
- Reflector does not blacken, maintaining a consistent heat pattern
- Reinforced wire guards provide operator safety without affecting heat distribution
- 3" or 6" (76 or 152 mm) spacer available as a center section between two 6" (152 mm) heater sections for a deeper holding area
- Heavy-duty insulation minimizes heat loss
- Optional sneeze guard made of shatterproof, easy-to-clean acrylic provide safe food serving environment
- Additional reflector styles and lower wattage elements also available, please consult factory for more information
- Metal sheathed heating element part guaranteed against burnout and breakage for two years



Options (available at time of purchase only)

- Housing – Clear Anodized finish Standard
 15" (4572 mm) 18" (457 mm)
Designer Color or Gloss Finish†
 Warm Red Black Gray Granite White Granite
 Navy Blue Hunter Green Antique Copper
 Radiant Red Glossy Gray Bold Black Gleaming Gold
 Brilliant Blue
- Indicator Light (Remote only)
- Leads – Extended Beyond Standard 3' (914 mm) Conduit
 Please specify lead length
 1'-5" (305-1525 mm) 6'-10" (1829-3048 mm)
 11'-15" (3352-4572 mm) 16'-20" (4877-6096 mm)
- Sneeze Guard
 9.375" (238 mm) – One Side 9.375" (238 mm) – Two Sides
 14" (356 mm) – One Side 14" (356 mm) – Two Sides
- Remote Infinite Switches in lieu of Toggle (max. 12.2 amps)
 Remote Toggle Switches (max. 15 amps)
- Remote Box – Clear Anodized finish Standard
Designer Color or Gloss Finish†
 Warm Red Black Gray Granite White Granite
 Navy Blue Hunter Green Antique Copper
 Radiant Red Glossy Gray Bold Black Gleaming Gold
 Brilliant Blue
- Factory attaches Control Box to Strip Heater (Export only)
- Adjustable Tubular Stands 10"-14" (254-356 mm)
 (not available in *Designer* colors)
- Non-Adjustable Tubular Stands – matches housing color†– Choose clearance below
 10" (254 mm) 12" (305 mm) 14" (356 mm) 16" (406 mm)

Accessories

- Adjustable Angle Brackets (with clearance above unit)
 1"-2" (25-51 mm) 7" (178 mm) - GRA-xxD models only
 Chain Suspension

†Non-standard colors are non-returnable

For operation, location and safety information, please refer to the Installation & Operating Manual.

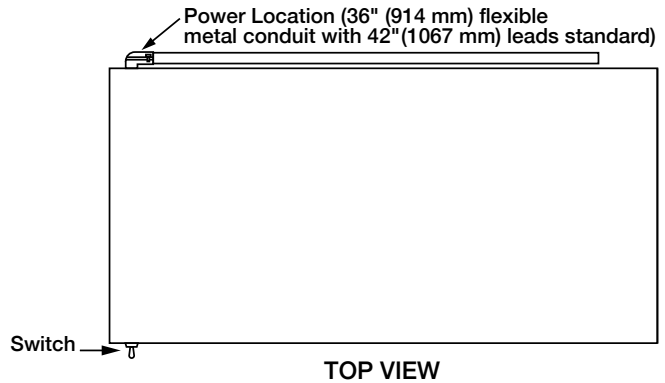
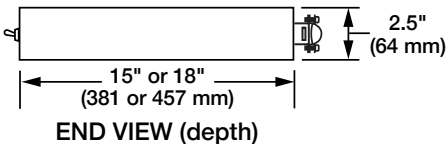
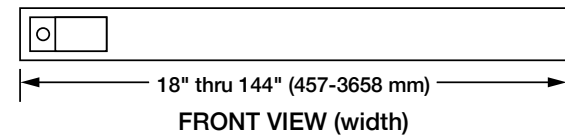




Glo-Ray® Aluminum Dual Infrared Strip Heaters

Models: GRA-18D, -24D, -30D, -36D, -42D, -48D, -54D, -60D, -66D, -72D, -84D, -96D, -108D, -120D, -132D, -144D
 GRAH-18D, -24D, -30D, -36D, -42D, -48D, -54D, -60D, -66D, -72D, -84D, -96D, -108D, -120D, -132D, -144D

GRA-D and GRAH-D



Glo-Ray® Dual Infrared Aluminum Strip Heaters

Dimensions: with 3" (76 mm) Spacer: 18" - 144 W x 15" D x 2.5" H (457 - 3658 x 381 x 64 mm)
 with 6" (152 mm) Spacer: 18" - 144 W x 18" D x 2.5" H (457 - 3658 x 457 x 64 mm)

Amps: Amps on all models can vary based on configuration – please consult factory.

The shaded areas contain electrical information for International models

| Standard Watt | | | | | High Watt | | | | | Both Models | |
|----------------------|---------------|-----------|---------|---------------------|-----------------------|---------------|-----------|---------|---------------------|------------------|------|
| Model | Volts | Watt | Amps | Ship Weight.* | Model | Volts | Watt | Amps | Ship Weight.* | Width | |
| GRA-18D | 120 | 500 | 4.2 | 14 lbs. (7 kg.) | GRAH-18D | 120 | 700 | 5.8 | 14 lbs. (7 kg.) | 18" (457 mm) | |
| | 208 | | 2.4 | | | 3.4 | | | | | |
| | 240 | | 2.1 | | | 2.9 | | | | | |
| | - | - | - | | | - | 100 | 700 | | | 7.0 |
| | 200 | 462 | 2.5 | | | 2.0 | 647 | 3.5 | | | |
| | 220 | 500 | 1.1 | | | 220 | 700 | 3.2 | | | |
| | 220-230 (CE)* | 500-546 | 2.3-2.4 | | | 220-230 (CE)* | 700-765 | 3.2-3.3 | | | |
| | 230-240 (CE)* | 459-500 | 2.0-2.1 | | | 230-240 (CE)* | 643-700 | 2.8-2.9 | | | |
| 240 | 500 | 1.0 | 240 | 700 | 2.9 | | | | | | |
| GRA-24D | 120 | 700 | 5.8 | 16 lbs. (8 kg.) | GRAH-24D | 120 | 1000 | 8.3 | 16 lbs. (8 kg.) | 24" (610 mm) | |
| | 208 | | 3.4 | | | 4.8 | | | | | |
| | 240 | | 2.9 | | | 4.2 | | | | | |
| | - | - | - | | | - | 100 | 1000 | | | 10.0 |
| | 200 | 647 | 1.8 | | | 200 | 925 | 5.0 | | | |
| | 220 | 700 | 1.6 | | | 220 | 1000 | 4.5 | | | |
| | 220-230 (CE)* | 700-765 | 3.2-3.3 | | | 220-230 (CE)* | 1000-1093 | 4.5-4.8 | | | |
| | 230-240 (CE)* | 643-700 | 2.8-2.9 | | | 230-240 (CE)* | 918-1000 | 4.0-4.2 | | | |
| 240 | 700 | 1.5 | 240 | 1000 | 4.2 | | | | | | |
| GRA-30D | 120 | 900 | 7.5 | 18 lbs. (9 kg.) | GRAH-30D [■] | 120 | 1320 | 11.0 | 18 lbs. (9 kg.) | 30" (762 mm) | |
| | 208 | | 4.3 | | | 6.3 | | | | | |
| | 240 | | 3.8 | | | 5.5 | | | | | |
| | - | - | - | | | - | 100 | 1320 | | | 13.2 |
| | 200 | 832 | 2.3 | | | 200 | 1220 | 6.6 | | | |
| | 220 | 900 | 2.1 | | | 220 | 1320 | 6.0 | | | |
| | 220-230 (CE)* | 900-984 | 4.1-4.3 | | | 220-230 (CE)* | 1320-1443 | 6.0-6.3 | | | |
| | 230-240 (CE)* | 827-900 | 3.6-3.8 | | | 230-240 (CE)* | 1212-1320 | 5.3-5.5 | | | |
| 240 | 900 | 1.9 | 240 | 1320 | 5.5 | | | | | | |
| GRA-36D | 120 | 1150 | 9.6 | 19 lbs. (9 kg.) | GRAH-36D [■] | 120 | 1600 | 13.3 | 19 lbs. (9 kg.) | 36" (914 mm) | |
| | 208 | | 5.5 | | | 7.7 | | | | | |
| | 240 | | 4.8 | | | 6.7 | | | | | |
| | - | - | - | | | - | 100 | 1600 | | | 16.0 |
| | 200 | 1063 | 2.9 | | | 200 | 1479 | 8.0 | | | |
| | 220 | 1150 | 2.6 | | | 220 | 1600 | 7.3 | | | |
| | 220-230 (CE)* | 1150-1257 | 5.2-5.5 | | | 220-230 (CE)* | 1600-1749 | 7.3-7.6 | | | |
| | 230-240 (CE)* | 1056-1150 | 4.6-4.8 | | | 230-240 (CE)* | 1469-1600 | 6.4-6.7 | | | |
| 240 | 1150 | 4.8 | 240 | 1600 | 6.7 | | | | | | |
| GRA-42D [■] | 120 | 1350 | 11.3 | 23 lbs. (11 kg.) | GRAH-42D [■] | 120 | 1900 | 15.8 | 23 lbs. (11 kg.) | 42" (1067 mm) | |
| | 208 | | 6.5 | | | 9.1 | | | | | |
| | 240 | | 5.6 | | | 7.9 | | | | | |
| | - | - | - | | | - | 100 | 1900 | | | 19.0 |
| | 200 | 1248 | 6.8 | | | 200 | 1757 | 9.5 | | | |
| | 220 | 1350 | 6.1 | | | 220 | 1900 | 8.6 | | | |
| | 220-230 (CE)* | 1350-1476 | 6.1-6.4 | | | 220-230 (CE)* | 1900-2077 | 8.6-9.0 | | | |
| | 230-240 (CE)* | 1240-1350 | 5.4-5.6 | | | 230-240 (CE)* | 1745-1900 | 7.6-7.9 | | | |
| 240 | 1350 | 5.6 | 240 | 1900 | 7.9 | | | | | | |

* Shipping weight includes packaging, and does not include RMB.

* CE approved units for 220-230V utilize a 220V heating system; 230-240V CE units utilize a 240V heating system.

■ 100V and 120V models may require additional switches, consult factory for applications.



Glo-Ray® Aluminum Dual Infrared Strip Heaters

Models: GRA -18D, -24D, -30D, -36D, -42D, -48D, -54D, -60D, -66D, -72D, -84D, -96D, -108D, -120D, -132D, -144D
 GRAH -18D, -24D, -30D, -36D, -42D, -48D, -54D, -60D, -66D, -72D, -84D, -96D, -108D, -120D, -132D, -144D

Glo-Ray® Dual Infrared Aluminum Strip Heaters

Dimensions: with 3" (76 mm) Spacer: 18" - 144 W x 15" D x 2.5" H (457 - 3658 x 381 x 64 mm)
 with 6" (152 mm) Spacer: 18" - 144 W x 18" D x 2.5" H (457 - 3658 x 457 x 64 mm)

The shaded areas contain electrical information for International models

Amps: Amps on all models can vary based on configuration – please consult factory.

| Standard Watt | | | | | High Watt | | | | | Both Models | |
|---------------------------|---------------------------|-----------|-----------|---------------------------|-----------------------|---------------------------|---------------------|-----------------------|---------------------|------------------|------|
| Model | Volts | Watt | Amps | Ship Weight* | Model | Volts | Watt | Amps | Ship Weight* | Width | |
| GRA-48D [■] | 120 | 1600 | 13.3 | 27 lbs. (12 kg.) | GRAH-48D [■] | 120 | 2200 | 18.3 | 27 lbs. (12 kg.) | 48" (1219 mm) | |
| | 208 | | 7.7 | | | 10.6 | | | | | |
| | 240 | | 6.7 | | | 9.2 | | | | | |
| | - | - | - | | | - | 100 | 2200 | | | 22.0 |
| | 200 | 1479 | 8.0 | | | 200 | 2034 | 11.0 | | | |
| | 220 | 1600 | 7.3 | | | 220 | 2200 | 10.0 | | | |
| | 220-230 (CE) [♦] | 1600-1749 | 7.3-7.6 | | | 220-230 (CE) [♦] | 2200-2405 | 10.0-10.5 | | | |
| | 230-240 (CE) [♦] | 1469-1600 | 6.4-6.7 | | | 230-240 (CE) [♦] | 220-2200 | 8.8-9.2 | | | |
| | 240 | 1600 | 6.7 | | | 240 | 2200 | 9.2 | | | |
| | GRA-54D [■] | 120 | 1850 | | | 15.4 | 30 lbs. (14 kg.) | GRAH-54D [■] | | | 120 |
| 208 | | 8.9 | | 12.0 | | | | | | | |
| 240 | | 7.7 | | 10.4 | | | | | | | |
| - | | - | - | - | 100 | 2500 | | | 25.0 | | |
| 200 | | 1710 | 9.3 | 200 | 2311 | 12.5 | | | | | |
| 220 | | 1850 | 8.4 | 220 | 2500 | 11.4 | | | | | |
| 220-230 (CE) [♦] | | 1850-2022 | 8.4-8.8 | 220-230 (CE) [♦] | 2500-2732 | 11.4-11.9 | | | | | |
| 230-240 (CE) [♦] | | 1699-1850 | 7.4-7.7 | 230-240 (CE) [♦] | 2296-2500 | 10.0-10.4 | | | | | |
| 240 | | 1850 | 7.7 | 240 | 2500 | 10.4 | | | | | |
| GRA-60D [■] | | 120 | 2100 | 17.5 | 35 lbs. (16 kg.) | GRAH-60D [■] | | | 120 | 2800 | 23.3 |
| | 208 | 10.1 | | 13.5 | | | | | | | |
| | 240 | 8.8 | | 11.7 | | | | | | | |
| | - | - | - | - | | | 100 | 2800 | 28.0 | | |
| | 200 | 1942 | 10.5 | 200 | | | 2589 | 14.0 | | | |
| | 220 | 2100 | 9.5 | 220 | | | 2800 | 12.7 | | | |
| | 220-230 (CE) [♦] | 2100-2295 | 9.5-10.0 | 220-230 (CE) [♦] | | | 2800-3060 | 12.7-13.3 | | | |
| | 230-240 (CE) [♦] | 1929-2100 | 8.4-8.8 | 230-240 (CE) [♦] | | | 2572-2800 | 11.2-11.7 | | | |
| | 240 | 2100 | 8.8 | 240 | | | 2800 | 11.7 | | | |
| | GRA-66D [■] | 120 | 2320 | 19.3 | | | 36 lbs. (17 kg.) | GRAH-66D [▼] | 120 | 3120 | 26.0 |
| 208 | | 11.2 | | 15.0 | | | | | | | |
| 240 | | 9.7 | | 13.0 | | | | | | | |
| - | | - | - | - | 100 | 3120 | | | 31.2 | | |
| 200 | | 2145 | 11.6 | 200 | 2885 | 15.6 | | | | | |
| 220 | | 2320 | 10.5 | 220 | 3120 | 14.2 | | | | | |
| 220-230 (CE) [♦] | | 2320-2536 | 10.5-11.0 | 220-230 (CE) [♦] | 3120-3410 | 14.2-14.8 | | | | | |
| 230-240 (CE) [♦] | | 2131-2320 | 9.3-9.7 | 230-240 (CE) [♦] | 2865-3120 | 12.5-13.0 | | | | | |
| 240 | | 2320 | 9.7 | 240 | 3120 | 13.0 | | | | | |
| GRA-72D [■] | | 120 | 2550 | 21.3 | 40 lbs. (19 kg.) | GRAH-72D [▼] | | | 120 | 3450 | 28.8 |
| | 208 | 12.3 | | 16.6 | | | | | | | |
| | 240 | 10.6 | | 14.4 | | | | | | | |
| | - | - | - | - | | | 100 | 3450 | 34.5 | | |
| | 200 | 2358 | 12.8 | 200 | | | 3190 | 17.3 | | | |
| | 220 | 2550 | 11.6 | 220 | | | 3450 | 15.7 | | | |
| | 220-230 (CE) [♦] | 2550-2787 | 11.6-12.1 | 220-230 (CE) [♦] | | | 3450-3771 | 15.7-16.4 | | | |
| | 230-240 (CE) [♦] | 2342-2550 | 10.2-10.6 | 230-240 (CE) [♦] | | | 3168-3450 | 13.8-14.4 | | | |
| | 240 | 2550 | 10.6 | 240 | | | 3450 | 14.4 | | | |
| | GRA-84D [▼] | 120 | 3000 | 25.0 | | | 50 lbs. (23 kg.) | GRAH-84D [†] | 120 | 4100 | 34.2 |
| 208 | | 14.4 | | 19.7 | | | | | | | |
| 240 | | 12.5 | | 17.1 | | | | | | | |
| - | | - | - | - | 100 | 4100 | | | 41.0 | | |
| 200 | | 2774 | 15.0 | 200 | 3791 | 20.5 | | | | | |
| 220 | | 3000 | 13.6 | 220 | 4100 | 18.6 | | | | | |
| 220-230 (CE) [♦] | | 3000-3279 | 13.6-14.3 | 220-230 (CE) [♦] | 4100-4481 | 18.6-19.5 | | | | | |
| 230-240 (CE) [♦] | | 2755-3000 | 12.0-12.5 | 230-240 (CE) [♦] | 3766-4100 | 16.4-17.1 | | | | | |
| 240 | | 3000 | 12.5 | 240 | 4100 | 17.1 | | | | | |
| GRA-96D [▼] | | 120 | 3450 | 28.8 | 52 lbs. (24 kg.) | GRAH-96D [†] | | | 120 | 4800 | 40.0 |
| | 208 | 16.6 | | 23.1 | | | | | | | |
| | 240 | 14.4 | | 20.0 | | | | | | | |
| | - | - | - | - | | | 100 | 4800 | 48.0 | | |
| | 200 | 3190 | 17.3 | 200 | | | 4438 | 24.0 | | | |
| | 220 | 3450 | 15.7 | 220 | | | 4800 | 21.8 | | | |
| | 220-230 (CE) [♦] | 3450-3771 | 15.7-16.4 | 220-230 (CE) [♦] | | | 4800-5246 | 21.8-22.8 | | | |
| | 230-240 (CE) [♦] | 3169-3450 | 13.8-14.4 | 230-240 (CE) [♦] | | | 4408-4800 | 19.2-20.0 | | | |
| | 240 | 3450 | 14.4 | 240 | | | 4800 | 20.0 | | | |

* Shipping weight includes packaging, and does not include RMB.

■ 100V and 120V models may require additional switches, consult factory for applications.

♦ CE approved units for 220-230V utilize a 220V heating system; 230-240V CE units utilize a 240V heating system.

▼ 100V and 120V models with infinite switch require tandem (end-to-end) elements, consult factory for applications.

† Contain tandem (end-to-end) elements that may be individually controlled.

• Available with RMB or remote switch only. Consult factory for additional charges.



Glo-Ray® Aluminum Dual Infrared Strip Heaters

Models: GRA -18D, -24D, -30D, -36D, -42D, -48D, -54D, -60D, -66D, -72D, -84D, -96D, -108D, -120D, -132D, -144D
 GRAH -18D, -24D, -30D, -36D, -42D, -48D, -54D, -60D, -66D, -72D, -84D, -96D, -108D, -120D, -132D, -144D

Glo-Ray® Dual Infrared Aluminum Strip Heaters

Dimensions: with 3" (76 mm) Spacer: 18" - 144 W x 15" D x 2.5" H (457 - 3658 x 381 x 64 mm)
 with 6" (152 mm) Spacer: 18" - 144 W x 18" D x 2.5" H (457 - 3658 x 457 x 64 mm)

The shaded areas contain electrical information for International models

Amps: Amps on all models can vary based on configuration – please consult factory.

| Standard Watt | | | | | High Watt | | | | | Both Models |
|---------------|---------|-----------|-----------|---------------------|---------------|---------|-----------|-----------|---------------------|-------------------|
| Model | Volts | Watt | Amps | Ship Weight* | Model | Volts | Watt | Amps | Ship Weight* | Width |
| GRA-108D † ‡ | 120 | 3700 | 30.8 | 59 lbs. (27 kg.) | GRAH-108D † ‡ | 120 | 5000 | 41.7 | 59 lbs. (27 kg.) | 108" (2743 mm) |
| | 208 | | 17.8 | | | 24.0 | | | | |
| | 240 | | 15.4 | | | 20.8 | | | | |
| | 220 | 3700 | 16.8 | | | 220 | 5000 | 22.7 | | |
| | 220-230 | 3700-4044 | 16.8-17.6 | | | 220-230 | 5000-5465 | 22.7-23.8 | | |
| | 230-240 | 3398-3700 | 16.8-15.4 | | | 230-240 | 4592-5000 | 20.0-20.8 | | |
| 240 | 3700 | 15.4 | 240 | 5000 | 20.8 | | | | | |
| GRA-120D † ‡ | 120 | 4200 | 35.0 | 66 lbs. (30 kg.) | GRAH-120D † ‡ | 120 | 5600 | - | 66 lbs. (30 kg.) | 120" (3048 mm) |
| | 208 | | 20.2 | | | 26.9 | | | | |
| | 240 | | 17.5 | | | 23.3 | | | | |
| | 220 | 4200 | 19.1 | | | 220 | 5600 | 28.0 | | |
| | 220-230 | 4200-4591 | 19.1-20.0 | | | 220-230 | 5600-6121 | 25.5-26.6 | | |
| | 230-240 | 3857-4200 | 16.8-17.5 | | | 230-240 | 5143-5600 | 23.4-23.3 | | |
| 240 | 4200 | 17.5 | 240 | 5600 | 23.3 | | | | | |
| GRA-132D † ‡ | 120 | 4640 | 38.7 | 73 lbs. (34 kg.) | GRAH-132D † ‡ | - | 6240 | - | 73 lbs. (34 kg.) | 132" (3353 mm) |
| | 208 | | 22.3 | | | 30.0 | | | | |
| | 240 | | 19.3 | | | 26.0 | | | | |
| | 220 | 4640 | 21.1 | | | 220 | 6240 | 28.4 | | |
| | 220-230 | 4640-5071 | 21.1-22.0 | | | 220-230 | 6240-6820 | 28.4-29.7 | | |
| | 230-240 | 4261-4640 | 18.5-19.3 | | | 230-240 | 5731-6240 | 24.9-26.0 | | |
| 240 | 4640 | 19.3 | 240 | 6240 | 26.0 | | | | | |
| GRA-144D † ‡ | 120 | 5100 | 42.3 | 80 lbs. (37 kg.) | GRAH-144D † ‡ | - | 6900 | - | 80 lbs. (37 kg.) | 144" (3658 mm) |
| | 208 | | 24.5 | | | 33.2 | | | | |
| | 240 | | 21.3 | | | 28.8 | | | | |
| | 220 | 5100 | 23.2 | | | 220 | 6900 | 34.1.4 | | |
| | 220-230 | 5100-5574 | 23.2-24.3 | | | 220-230 | 6900-7542 | 31.4-32.8 | | |
| | 230-240 | 4684-5100 | 20.4-21.3 | | | 230-240 | 6337-6900 | 27.6-28.8 | | |
| 240 | 5100 | 21.3 | 240 | 6900 | 28.8 | | | | | |

* Shipping weight includes packaging, and does not include RMB.

† CE not available.

‡ 100V and 120V models may require additional switches, consult factory for applications.

† Glo-Ray models 108"-144" (2743-3658 mm) and 120 volt models of GRAH-84 and GRAH-96 contain tandem (end-to-end) elements that may be individually controlled.

‡ Available with RMB (Remote Box) or remote switch only. Consult factory for additional charges.

TOGGLE SWITCH: Amps: Max. 15 amps. Location: Chef's left side.

INFINITE SWITCH: Max. 12.2 amps Location: remote installation only

CONDUIT: 3' (914 mm) conduit standard on 120V and 208V models only

LEADS: US/Canada: 6" (152 mm) leads, server's right side

Euro/UK GRAH-xxD: 6" (152 mm) pigtail leads with no conduit, servers right side

RECOMMENDED MOUNTING HEIGHTS

(Refer to the Installation section of the Manual on the Hatco website)

Units with 3" (76 mm) and 6" (152 mm) Spacers

Standard Watt: 10"-14" (254-356 mm) High Watt: 14"-18" (356-457 mm)

MINIMUM CLEARANCES

Combustibles

Cannot be installed in combustible surroundings

Non-Combustibles

Dual Units with Built-In Switches

Unit to surface below: 10" (254 mm)

Must be installed in pass through area, back wall installation not allowed

Below overshelf: 1" (25 mm) clearance

Dual Units with Remote Switches:

Unit to surface below: 8" (203 mm)

Unit to wall: 3" (76 mm)

Below overshelf: 0" (0 mm) clearance, can be flush to an overshelf

PRODUCT SPECS

Infrared Foodwarmers

The Aluminum Dual Infrared Foodwarmer shall be a Glo-Ray®, manufactured by the Hatco Corporation, Milwaukee, WI 53234 U.S.A.

The Foodwarmer shall be a Glo-Ray model ... , rated at ... watts, ... volts, single phase, and be ... inches (millimeters) in overall width. The Glo-Ray shall consist of an aluminum housing and include four shelf mounting tabs, and 3' (914 mm) conduit with leads.

REMOTE CONTROL ENCLOSURES

Must order one RMB control box per Strip Heater - If RMB2 is used, multiple warmers can be controlled from one box. For more details, see "Choose Remote Box" section listed under "Resources" on the Hatco website, www.hatcocorp.com

| Model | Width | Toggle Switches |
|---------|------------------|---|
| RMB-3 | 6" (150 mm) | 2 maximum |
| RMB-7 | 9.375" (239 mm) | 4 maximum |
| RMB-14 | 14.375" (366 mm) | 6 maximum |
| RMB-16 | 16.375" (417 mm) | 3 maximum |
| RMB-20 | 20.375" (518 mm) | 4 maximum |
| RMB2-1R | 11" (279 mm) | 1 toggle, 1 infinite, 1 relay, 1 indicator light |
| RMB2-2R | 14" (356 mm) | 1 toggle, 1 infinite, 2 relays, 1 indicator light |



Model RMB-14E
with infinite controls



RMB-3F
with toggle switch
and indicator light

The infrared heating element shall be tubular metal sheathed. The foodwarmer shall be factory-assembled ready for electrical installation.

Options and accessories shall include adjustable or non-adjustable tubular stand, angle brackets, suspension chain and fittings, sneeze guard and indicator light.

Warranty consists of 24/7 parts and service assistance (U.S. and Canada only).

HATCO CORPORATION | P.O. Box 340500 Milwaukee, WI 53234-0500 U.S.A.
 (800) 558-0607 | (414) 671-6350 | www.hatcocorp.com | support@hatcocorp.com