



Project _____
 Item # _____
 Quantity _____

Glo-Ray® Curved Infrared Strip Heaters with LED Lights

Models:

GR5AL-18, -24, -30, -36, -42, -48, -54, -60, -66, -72
 GR5AHL-18, -24, -30, -36, -42, -48, -54, -60, -66, -72

This stylish patented design, based on our signature Glo-Ray® strip heaters, is the perfect solution for your front-of-the-house applications. Superb for buffet and serving lines, the sleek curved design minimizes its size while accenting and warming the products below.

Versatile LED lighting options provide perfect coloring and coverage while lowering energy costs. The entire holding surface is heated evenly, no “cold” spots, thanks to Hatco's dependable infrared element technology.

Standard features

- Narrow, curved design: 2"H by 6"D (51 x 150 mm) uses a very small footprint.
- Lengths available from 18"-72" (457- 1829 mm) in 6" (152 mm) increments
- Available in Standard and High Watt units
- Warm LED light is standard, options include Cool White or Dual color with Warm White/Cool White (toggle between color temperatures depending on food displayed)*
- Patented housing design has energy efficient dual LED lights across the entire strip heater which provides longer performance and energy savings (compared to standard incandescent bulbs - 3.5 to 15.2 watts based on length)
- LED lights are field replaceable
- Unit can be used with lights only or with heat only - available as lights only, please see HL5 Specification Sheet
- Remote box with electronic infinite control and power on/off switch (controls lights and heat) included
- 100% linear infinite controls with adjustability from 0-100% allow for precise settings
- Pre-focused heat maintains safe serving temperatures longer without continuing to cook the food
- Mounting Brackets, 3' (914 mm) Conduit and 5' (1524 mm) power leads are standard (included) – Non-adjustable Tubular Stands, which attach to countertop or ceiling, are optional
- Metal Sheathed Element part guaranteed against burnout and breakage for two years

* Warm White can range from 2700-3200K, Cool White from 4000-4300K

† Non-standard colors are non-returnable



GR5AL-24/GR5AHL-24
with standard mounting brackets

Options (available at time of purchase only)

Housing color – (Clear Anodized standard)

Designer Color† Warm Red Black Gray Granite
 White Granite Navy Blue Hunter Green
 Antique Copper

Gloss Finish† Radiant Red Glossy Gray Bold Black
 Gleaming Gold Brilliant Blue

Non-adjustable Tubular Stands (Angle Brackets standard) – choose style, clearance and color below (Clear Anodized standard)

Bottom Mount, attach to counter Side mount leg for bottom mount
 Side mount leg for top mount installation
 10' (254 mm) 12' (305 mm) 14' (356 mm) 16' (406 mm)

Designer Color† or Gloss Finish† to match unit color for Non-adjustable Tubular Stands

Power Wire Lead Length – 5' (1524 mm) is standard, must specify total lead length required (The standard LED lead length is 1.5' (457 mm) longer than the power lead length)

6' - 10' (1829 - 3048 mm) total power Lead Length
 11' - 15' (3353 - 4572 mm) total power Lead Length

LED Lead Length –

5' (1524 mm) 10' (3048 mm) 15' (4572 mm) 20' (6096 mm)

Power and LED wiring exit opposite ends of unit (power and LED wiring exit same end of unit is standard)

LED Light color★ – Warm White is standard

Dual color Warm White/Cool White (toggle between color temperatures depending on food displayed)
 Cool White

RECOMENDED LIGHT USAGE - GR5A(H)L

GR5A(H)L above...	Warm White★	Cool White★	Warm/Cool White★
Heated Well(s)	X		
Refrigerated Well(s)		X	
Heated Shelf (Shelves)	X		
Refrigerated Shelf (Shelves)		X	
Hot/Cold Well(s)			X
Hot/ Cold Shelf (Shelves)			X

For operation, location and safety information, please refer to the Installation & Operating Manual.



HATCO CORPORATION | P.O. Box 340500 Milwaukee, WI 53234-0500 U.S.A.
 (800) 558-0607 | (414) 671-6350 | www.hatcocorp.com | support@hatcocorp.com

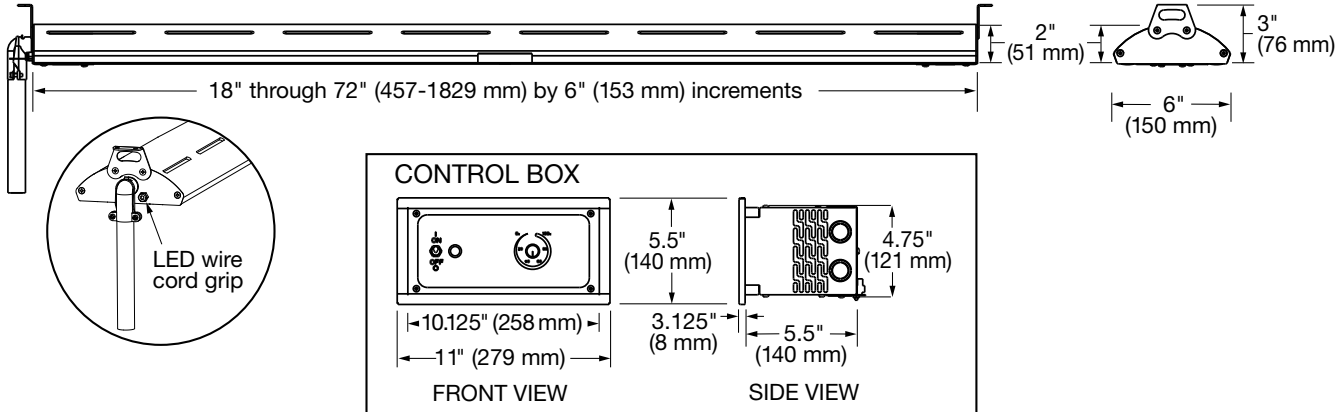


Glo-Ray® Curved Infrared Strip Heaters with LED Lights

Models: GR5AL-18, -24, -30, -36, -42, -48, -54, -60, -66 -72

GR5AHL-18, -24, -30, -36, -42, -48, -54, -60, -66 -72

GR5AL, GR5AHL



SPECIFICATIONS Glo-Ray® Curved Infrared Strip Heaters with LED Lights Phase: Single

The shaded areas contain electrical information for international models only

Standard Watt					High Watt					All Models
Model	Volts	Watts	Amps	Weight*	Model	Volts	Watts	Amps	Weight*	Dimensions W x D x H
GR5AL-18	120	254	2.2	13 lbs. (6 kg.)	GR5AHL-18	120	354	3.0	13 lbs. (6 kg.)	18" x 6" x 2" (457 x 150 x 51 mm)
	208		1.2			1.7				
	220		1.2			1.6				
	240		1.1			1.5				
	220-230 (CE) ^E	254-278	1.2-1.2			354-387	1.6-1.7			
230-240 (CE) ^{EE}	234-254	1.0-1.1	326-354	1.4-1.5						
GR5AL-24	120	356	3.0	18 lbs. (9 kg.)	GR5AHL-24	120	506	4.3	14 lbs. (7 kg.)	24" x 6" x 2" (610 x 150 x 51 mm)
	208		1.7			2.5				
	220		1.6			2.3				
	240		1.5			2.1				
	220-230 (CE) ^E	356-388	1.6-1.7			506-552	2.3-2.4			
230-240 (CE) ^{EE}	327-356	1.4-4.5	465-506	2.0-2.1						
GR5AL-30	120	458	3.9	23 lbs. (11 kg.)	GR5AHL-30	120	668	5.6	21 lbs. (10 kg.)	30" x 6" x 2" (762 x 150 x 51 mm)
	208		2.2			3.2				
	220		2.1			3.1				
	240		1.9			2.8				
	220-230 (CE) ^E	458-499	2.1-2.2			658-718	3.1-3.2			
230-240 (CE) ^{EE}	421-458	1.9-1.9	605-658	2.7-2.8						
GR5AL-36	120	584	4.9	17 lbs. (8 kg.)	GR5AHL-36	120	809	6.8	17 lbs. (8 kg.)	36" x 6" x 2" (919 x 150 x 51 mm)
	208		2.9			3.9				
	220		2.7			3.7				
	240		2.5			3.4				
	220-230 (CE) ^E	584-638	2.7-2.8			809-884	3.7-3.9			
230-240 (CE) ^{EE}	537-584	2.4-2.5	744-809	3.3-3.4						
GR5AL-42	120	686	5.8	24 lbs. (11 kg.)	GR5AHL-42	120	961	8.1	18 lbs. (9 kg.)	42" x 6" x 2" (1067 x 150 x 51 mm)
	208		3.3			4.7				
	220		3.2			4.4				
	240		2.9			4.0				
	220-230 (CE) ^E	686-749	3.2-3.3			961-1049	4.4-4.6			
230-240 (CE) ^{EE}	631-686	2.8-2.9	883-961	3.9-4.0						
GR5AL-48	120	812	6.9	20 lbs. (9 kg.)	GR5AHL-48	120	1112	9.4	25 lbs. (12 kg.)	48" x 6" x 2" (1219 x 150 x 51 mm)
	208		4.0			5.4				
	220		3.7			5.1				
	240		3.4			4.7				
	220-230 (CE) ^E	812-887	3.7-3.9			1112-1215	5.1-5.3			
230-240 (CE) ^{EE}	747-812	3.3-3.4	1023-1112	4.5-4.7						

* Weights are approximate and do not include shipping materials.

^E Uses 220V element.

^{EE} Uses 240V element.

HATCO CORPORATION | P.O. Box 340500 Milwaukee, WI 53234-0500 U.S.A.
(800) 558-0607 | (414) 671-6350 | www.hatcocorp.com | support@hatcocorp.com



Glo-Ray® Curved Infrared Strip Heaters with LED Lights

Models: GR5AL-18, -24, -30, -36, -42, -48, -54, -60, -66 -72

GR5AHL-18, -24, -30, -36, -42, -48, -54, -60, -66 -72

SPECIFICATIONS

Glo-Ray® Curved Infrared Strip Heaters with LED Lights

Phase: Single

The shaded areas contain electrical information for International models only

Standard Watt					High Watt					All Models
Model	Volts	Watts	Amps	Weight*	Model	Volts	Watts	Amps	Weight*	Dimensions W x D x H
GR5AL-54	120	939	7.9	27 lbs. (13 kg.)	GR5AHL-54	120	1264	10.7	25 lbs. (12 kg.)	54" x 6" x 2" (1372 x 150 x 51 mm)
	208		4.6			6.1				
	220		4.3			5.8				
	240		4.0			5.3				
	220-230 (CE) ^E	939-1025	4.3-4.5			1264-1380	5.8-6.1			
	230-240 (CE) ^{EE}	864-939	3.8-4.0			1162-1264	5.1-5.3			
GR5AL-60	120	1066	9.0	22 lbs. (10 kg.)	GR5AHL-60	120	1416	11.9	29 lbs. (14 kg.)	60" x 6" x 2" (1524 x 150 x 51 mm)
	208		5.2			6.9				
	220		4.9			6.5				
	240		4.5			6.0				
	220-230 (CE) ^E	1066-1163	4.9-5.1			1416-1546	6.5-6.8			
	230-240 (CE) ^{EE}	980-1066	4.3-4.5			1301-1416	5.7-6.0			
GR5AL-66	120	1177	10.0	36 lbs. (17 kg.)	GR5AHL-66	120	1577	13.3	29 lbs. (14 kg.)	66" x 6" x 2" (1675 x 150 x 51 mm)
	208		5.7			7.7				
	220		5.4			7.2				
	240		5.0			6.6				
	220-230 (CE) ^E	1177-1285	5.4-5.7			1577-1722	7.2-7.6			
	230-240 (CE) ^{EE}	1083-1177	4.8-5.0			1450-1577	6.4-6.6			
GR5AL-72	120	1294	10.9	30 lbs. (14 kg.)	GR5AHL-72	120	1744	14.7	30 lbs. (14 kg.)	72" x 6" x 2" (1829 x 150 x 51 mm)
	208		6.3			8.5				
	220		6.0			8.0				
	240		5.5			7.3				
	220-230 (CE) ^E	1294-1412	6.0-6.2			1744-1904	8.0-8.4			
	230-240 (CE) ^{EE}	1190-1294	5.3-5.5			1603-1744	7.1-7.3			

* Weights are approximate and do not include shipping materials.

^E Uses 220V element.

^{EE} Uses 240V element.

CONTROL BOX

Refer to Installation and Operating Manual on Hatco website for more details.

An LED driver is included and mounted in control box.

Box location:

Place control box in cool location. Ambient temperature should be no greater than 104° F (40 C).

Cutout dimensions:

10.125"W x 6.25"D x 4.75"H (257 x 159 x 121 mm).

NOTE: Make sure the control box installation location provides enough space behind the vertical surface for the depth of the control box and electrical connections

RECOMMENDED MOUNTING HEIGHTS

(Refer to the Installation section in the Installation and Operating Manual on the Hatco website)

Make sure countertop material is designed to withstand long periods of hot food holding temperatures. Contact manufacturer of countertop material for application information.

GR5AL strip heaters can be installed over a steam table. Follow minimum clearance requirements for non-combustible surroundings.

Combustible surroundings (GR5AL only)

Below lowest portion of overshelf: 1" (25 mm) clearance

Unit to surface below: 11" (279 mm)

Back to wall: 1" (25 mm)

Non-Combustible surroundings (GR5AL, GR5AHL)

Below lowest portion of overshelf: 1" (25 mm) clearance

Unit to surface below: 10" (254 mm)

Back to wall: 0" (0 mm)

PRODUCT SPECS

Glo-Ray® Slim Curved LED Strip Heaters

The Curved Infrared Strip Heater with LED Lights shall be a Glo-Ray®, manufactured by the Hatco Corporation, Milwaukee, WI 53234 U.S.A.

The Foodwarmer shall be a Glo-Ray model ... , rated at ... watts, ... volts, single phase and be ... inches (millimeters) in overall width.

The Glo-Ray shall consist of Clear Anodized, Designer or Gloss Finish painted patented housing and include as standard equipment 3' (914 mm) conduit with 5' (1524 mm) power leads, a Remote Control Enclosure and mounting brackets.

The infrared heating element shall be tubular metal sheathed. The foodwarmer shall be factory assembled ready for electrical installation.

Options shall include choice of Designer color or Gloss Finish, extended power leads, extended LED lengths, Power and LED wiring exit opposite ends of unit, LED Light color (Warm, Cool or Dual Warm/Cool) and Non-adjustable Tubular Stands in Bottom Mount or Side mount leg (in bottom mount or top mount installation).

Warranty consists of 24/7 parts and service assistance (U.S. and Canada only).

HATCO CORPORATION | P.O. Box 340500 Milwaukee, WI 53234-0500 U.S.A.
(800) 558-0607 | (414) 671-6350 | www.hatcocorp.com | support@hatcocorp.com