



Glo-Ray® Designer Dual Infrared Strip Heaters

Models: GR2A-18D, -24D, -30D, -36D, -42D, -48D, -54D, -60D, -66D, -72D, -84D, GR2AH -18D, -24D, -30D, -36D, -42D, -48D, -54D, -60D, -66D, -72D, -84D

Glo-Ray® Designer Aluminum Dual Infrared Strip Heaters allow side-by-side mounting of two warmers to provide a deeper holding area, keeping hot food at optimum serving temperatures. These modern front-of-the-house warmers have 3" (76 mm) spacers standard with optional 6" (152 mm) spacers.

Standard features

- Pre-focused heat pattern directs heat from a tubular element to bathe the entire holding surface, holding food safely
- Sturdy continuous aluminum housings eliminate sagging
- Widths from 21.5" to 87.5" (546 X 2223 mm)
- 14" (356 mm) Designer non-adjustable Stands Standard
- Available in a variety of models, configurations, colors and accessories to provide unlimited flexibility
- Designer colors and inset panels allow the unit to match surrounding décor
- Black corner caps and inset panels standard
- Optional sneeze guards
- Remote control installation is required - must chose RMB
- Standard 3" spacers with optional 6" spacers.
- Additional reflector styles and lower wattage elements available, consult factory for more information

Project _____
 Item # _____
 Quantity _____



GR2AH-36D with Optional Sneeze Guards and Standard non-adjustable Designer stands, Designer Black color Inset Panels and Corner Caps

Options (available at time of purchase only)

- Housing
 15" (381 mm) 18" (457 mm)
 Designer Color – Aluminum finish standard†
 Warm Red Black Gray Granite White Granite
 Navy Blue Hunter Green Antique Copper
- Inset Panel Designer color – Black standard†
 Warm Red Black Gray Granite White Granite
 Navy Blue Hunter Green Antique Copper
- Corner Caps Designer color, Black standard†
 Black Dark Gray
- No Control – requires selection of RMB2-xx control
- Remote Box (RMB), Designer color – Aluminum finish Standard†
 Warm Red Black Gray Granite White Granite
 Navy Blue Hunter Green Antique Copper
- Sneeze Guards
 7.5" (191 mm) – One Side 7.5" (191 mm) – Two Sides
 14" (356 mm) – One Side 14" (356 mm) – Two Sides
- Designer Non-Adjustable Stands – 14" (356 mm) Designer Stand standard
 10" (254 mm) 12" (305 mm) 16" (406 mm)
 Designer Color – Aluminum finish standard†
 Warm Red Black Gray Granite White Granite
 Navy Blue Hunter Green Antique Copper
- Overhead Mounts 4" (102 mm) in lieu of 14" (356 mm) standard Stand
 Designer Color – Aluminum finish standard†
 Warm Red Black Gray Granite White Granite
 Navy Blue Hunter Green Antique Copper
- Extended Power (Electrical) Leads
 1'-5' (305-1525 mm) 6'-10' (1829-3048 mm)
 11'-15' (3352-4572 mm) 16'-20' (4877-6096 mm)

†Non-standard color are non-returnable

For operation, location and safety information, please refer to the Installation & Operating Manual.

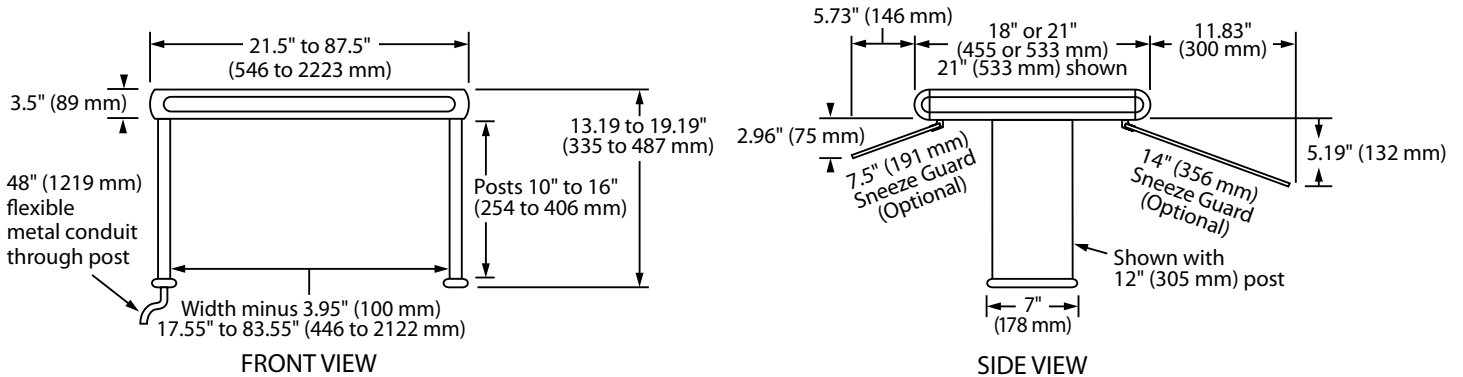




Glo-Ray® Designer Dual Infrared Strip Heaters

Models: GR2A-18D, -24D, -30D, -36D, -42D, -48D, -54D, -60D, -66D, -72D, -84D,
GR2AH -18D, -24D, -30D, -36D, -42D, -48D, -54D, -60D, -66D, -72D, -84D

GR2A-D and GR2AH-D



SPECIFICATIONS

Glo-Ray® Designer Dual Infrared Strip Heaters

Dimensions (without Non-Adjustable Stands):

with 3" (76 mm) Spacer: 21.5" - 87.5" W x 18" D x 3.5" H (546 - 2223 x 455 x 89 mm)

with 6" (152 mm) Spacer: 21.5" - 87.5" W x 21" D x 3.5" H (546 - 2223 x 533 x 89 mm)

The shaded areas contain electrical information for International models

Standard Watt				High Watt				Both Models	
Model	Volts single phase	Watt	Amps	Model	Volts single phase	Watt	Amps	Width	Ship Weight [Ⓞ]
GR2A-18D	120	500	4.2	GR2AH-18D	120	700	5.8	21.5" (546 mm)	44 lbs. (20 kg)
	208		2.4		208		3.4		
	240		2.1		240		2.9		
	220-230 (CE*)	500-547	2.3-2.4		220-230 (CE*)	700-765	3.2-3.3		
	230-240 (CE*)	459-500	2.0-2.1		230-240 (CE*)	643-700	2.8-2.9		
GR2A-24D	120	700	5.8	GR2AH-24D	120	1000	8.3	27.5" (699 mm)	48 lbs. (22 kg.)
	208		3.4		208		4.8		
	240		2.9		240		4.2		
	220-230 (CE*)	700-765	3.2-3.3		220-230 (CE*)	1000-1093	4.5-4.8		
	230-240 (CE*)	643-700	2.8-2.9		230-240 (CE*)	918-1000	4.0-4.2		
GR2A-30D	120	900	7.5	GR2AH-30D	120	1320	11.0	33.5" (851 mm)	52 lbs. (24 kg.)
	208		4.3		208		6.3		
	240		3.8		240		5.5		
	220-230 (CE*)	900-984	4.1-4.3		220-230 (CE*)	1320-1443	6.0-6.3		
	230-240 (CE*)	827-900	3.6-3.8		230-240 (CE*)	1212-1320	5.3-5.5		
GR2A-36D	120	1150	9.6	GR2AH-36D	120	1600	13.3	39.5" (1003 mm)	57 lbs. (26 kg.)
	208		5.5		208		7.7		
	240		4.8		240		6.7		
	220-230 (CE*)	1150-1257	5.2-5.5		220-230 (CE*)	1600-1749	7.3-7.6		
	230-240 (CE*)	1056-1150	4.6-4.8		230-240 (CE*)	1469-1600	6.4-6.7		
GR2A-42D	120	1350	11.3	GR2AH-42D	120	1900	15.8	45.5" (1156 mm)	66 lbs. (30 kg.)
	208		6.5		208		9.1		
	240		5.6		240		7.9		
	220-230 (CE*)	1350-1476	6.1-6.4		220-230 (CE*)	1900-2077	8.6-9.0		
	230-240 (CE*)	1240-1350	5.4-5.6		230-240 (CE*)	1745-1900	7.6-7.9		
GR2A-48D	120	1600	13.3	GR2AH-48D	120	2200	18.3	51.5" (1308 mm)	77 lbs. (35 kg.)
	208		7.7		208		10.6		
	240		6.7		240		9.2		
	220-230 (CE*)	1600-1749	7.3-7.6		220-230 (CE*)	2200-2405	10.0-10.5		
	230-240 (CE*)	1469-1600	6.4-6.7		230-240 (CE*)	2020-2200	8.8-9.2		
GR2A-54D	120	1850	15.4	GR2AH-54D	120	2500	20.1	57.5" (1460 mm)	88 lbs. (40 kg.)
	208		8.9		208		12.0		
	240		7.7		240		10.4		
	220-230 (CE*)	1850-2022	8.4-8.8		220-230 (CE*)	2500-2733	11.4-11.9		
	230-240 (CE*)	1699-1850	7.4-7.7		230-240 (CE*)	2296-2500	10.0-10.4		

[Ⓞ]Shipping weight includes packaging, and does not include RMB, must order an RMB.

* 120 volt models require additional switches and tandem (end-to-end) elements individually controlled.

♦ CE approved units for 220-230V utilize a 220V heating system; 230-240V CE units utilize a 240V heating system.

HATCO CORPORATION

(800) 558-0607 | (414) 671-6350

P.O. Box 340500 Milwaukee, WI 53234-0500 U.S.A.

www.hatcocorp.com | support@hatcocorp.com



Glo-Ray® Designer Dual Infrared Strip Heaters

Models: GR2A-18D, -24D, -30D, -36D, -42D, -48D, -54D, -60D, -66D, -72D, -84D,
GR2AH-18D, -24D, -30D, -36D, -42D, -48D, -54D, -60D, -66D, -72D, -84D

SPECIFICATIONS

Glo-Ray® Designer Dual Infrared Strip Heaters

Dimensions (without Non-Adjustable Stands):

with 3" (76 mm) Spacer: 21.5" - 87.5" W x 18" D x 3.5" H (546 - 2223 mm x 455 mm x 89 mm)

with 6" (152 mm) Spacer: 21.5" - 87.5" W x 21" D x 3.5" H (546 - 2223 mm x 533 mm x 89 mm)

The shaded areas contain electrical information for international models

Standard Watt				High Watt				Both Models	
Model	Volts single phase	Watt	Amps	Model	Volts single phase	Watt	Amps	Width	Ship Weight °
GR2A-60D	120	2100	17.5	GR2AH-60D	120	2800	23.3	63.5" (1613 mm)	97 lbs. (44 kg.)
	208		10.1		208		13.5		
	240		8.8		240		11.7		
	220-230 (CE*)	2100-2259	9.5-10.0		220-230 (CE*)	2800-3060	12.7-13.3		
	230-240 (CE*)	1929-2100	8.4-8.8		230-240 (CE*)	2572-2800	11.2-11.7		
GR2A-66D	120	2320	19.3	GR2AH-66D [■]	120	3120	26.0	69.5" (1765 mm)	107 lbs. (49 kg.)
	208		11.2		208		15.0		
	240		9.7		240		13.0		
	220-230 (CE*)	2320-2536	10.5-11.0		220-230 (CE*)	3120-3410	14.2-14.8		
	230-240 (CE*)	2131-2320	9.3-9.7		230-240 (CE*)	2865-3120	12.5-13.0		
GR2A-72D	120	2550	21.3	GR2AH-72D [■]	120	3450	28.8	75.5" (1918 mm)	117 lbs. (53 kg.)
	208		12.3		208		16.6		
	240		10.6		240		14.4		
	220-230 (CE*)	2550-2787	11.6-12.1		220-230 (CE*) ▶	3450-3771	15.7-16.4		
	230-240 (CE*)	2342-2550	10.2-10.6		230-240 (CE*) ▶	3168-3450	13.8-14.4		
GR2A-84D [■]	120	3000	25.0	GR2AH-84D [■]	120 ▶	4100	31.7	87.5" (2223 mm)	138 lbs. (63 kg.)
	208		14.4		208		19.7		
	240		12.5		240		17.1		
	220-230 (CE*)	3000-3279	13.6-14.3		220-230 (CE*) ▶	4100-4481	18.8-19.5		
	230-240 (CE*)	2755-3000	12.0-12.5		230-240 (CE*) ▶	3766-4100	16.4-17.1		

°Shipping weight includes packaging, and does not include RMB, must order an RMB.

■ 120V model with infinite control not available

▶ Not available in Canada

* 120 volt models require additional switches and tandem (end-to-end) elements individually controlled.

♦ CE approved units for 220-230V utilize a 220V heating system; 230-240V CE units utilize a 240V heating system.

▶ Require Remote Control Box

SWITCH LOCATION

Remote only

TOGGLE SWITCH

Max. 15 Amps

INFINITE SWITCH

Max. 12.2 Amps

LEADS

5' (1524 mm) through 0.5" (13 mm) conduit in Stand cavity is standard

ELEMENT HEIGHT REQUIREMENTS

(Refer to the Installation section of the Manual on the Hatco website)

Standard Watt:

Height: 10"-14" (254-356 mm)

Target Width: 18" (457 mm)

High Watt:

Height: 14"-18" (356-457 mm)

Target Width: 24" (610 mm)

PRODUCT SPECS

Designer Dual Infrared Foodwarmers

The Designer Dual Infrared Foodwarmer shall be a Glo-Ray®, manufactured by the Hatco Corporation, Milwaukee, WI 53234 U.S.A. The foodwarmer shall be a Glo-Ray model ... , rated at ... watts, ... volts, single phase and be ... inches (millimeters) in overall width. The Glo-Ray shall consist of an aluminum housing and include as standard equipment 14" (356 mm) Designer Stands. The infrared heating element shall be tubular metal sheathed. The foodwarmer shall be factory assembled ready for electrical installation.

REMOTE CONTROL ENCLOSURES

Must order one RMB control box per Strip Heater - If RMB2 is used, multiple warmers can be controlled from one box. For more details, see "Choose Remote Box" section listed under "Resources" on the Hatco website, www.hatcocorp.com

Model	Width	Switches
RMB-3	6" (150 mm)	2 toggles
RMB-7	9.375" (239 mm)	2 infinites or 2 toggles with pilot lights or 4 toggles
RMB-14	14.375" (366 mm)	2 Infinites with pilot lights or 4 infinites
RMB2-1R	11" (279 mm)	1 toggle, 1 infinite, 1 relay, 1 indicator light
RMB2-2R	14" (356 mm)	1 toggle, 1 infinite, 2 relays, 1 indicator light

Options shall include Designer Color Inset Panel, Designer non-adjustable Stands in various sizes (available in Designer Colors), Overhead Mounts (available in Designer Colors), dark gray Designer corner caps, Sneeze Guards, Extended Electrical Power Leads, no Control and Remote Control Enclosure.

Warranty consists of 24/7 parts and service assistance (U.S. and Canada only).

HATCO CORPORATION | P.O. Box 340500 Milwaukee, WI 53234-0500 U.S.A.
(800) 558-0607 | (414) 671-6350 | www.hatcocorp.com | support@hatcocorp.com