



Project _____
 Item # _____
 Quantity _____

Flav-R-Savor® Portable Holding Cabinets

Models: FSHC-5W1-EE, -7W1-EE, -7W2-EE

Hatco's energy efficient Flav-R-Savor® Portable Holding Cabinet will keep prepared foods at optimum serving temperatures for hours. The electronic thermostatically controlled heat and humidity allows food to be prepared in advance of peak serving periods. These models are available as a one-door or pass-through.

Standard features

- Energy Star applicable to 120V models with stainless steel doors
- Electrical components, controls, and digital temperature readout are located at the top for easy access
- Electronic control with digital read out, temperature range of 80° - 200°F (27° - 93°C)
- Using the lower temperature range of 80°-100°F (27°- 38°C), allows for proofing all types of breads
- All stainless steel interior, and no element contact with water makes the unit easier to clean
- Accommodates Gastronorm pans
- Comes standard with 4" (102 mm) diameter casters, five sets of adjustable rack slides (FSHC-5W1-EE unit), seven sets of adjustable rack slides (FSHC-7WX-EE units), a one gallon (3.8-liter) capacity water chamber and a 6' (1829 mm) cord and plug
- Doors are easily field convertible from left-hand door hinge to right-hand door hinge



(120V models only)
 NOTE: Units equipped with a heavy-duty glass door(s) are not ENERGY STAR qualified



FSHC-5W1-EE



FSHC-7W1-EE

Options (available at time of purchase only)

- Colors (Side Panels) – Non-standard colors are non-returnable –
 - Designer Black (standard)
 - Stainless Steel
- Colors (Top) – Non-standard colors are non-returnable –
 - Designer Black (standard)
 - Stainless Steel
- Glass Door (in lieu of stainless steel door) (is not Energy Star qualified)
- Low profile casters (FSHC-5W1-EE model only) (deduct 2.25" [57 mm] from height)
- Platform for mounting directly on a counter (deduct 4.13" [104 mm] from height) in lieu of casters
- Stacking hardware mounted to bottom of cabinet for two FSCH-7W1 or two FSCH-5W1 units in lieu of casters (cannot have legs on lower unit)
 - Designer Black
 - Stainless Steel
- Bumper Hardware (only for use with standard casters) (add .125" [3 mm] to height)
- Legs (in lieu of casters)
 - 4" (904 mm) legs (deduct .5" [13 mm] from height)
 - 6" (958 mm) legs (add 1.75" [45 mm] to height)

Accessories

- Extra Pan Slides
- Food Pans

For operation, location and safety information, please refer to the Installation & Operating Manual.

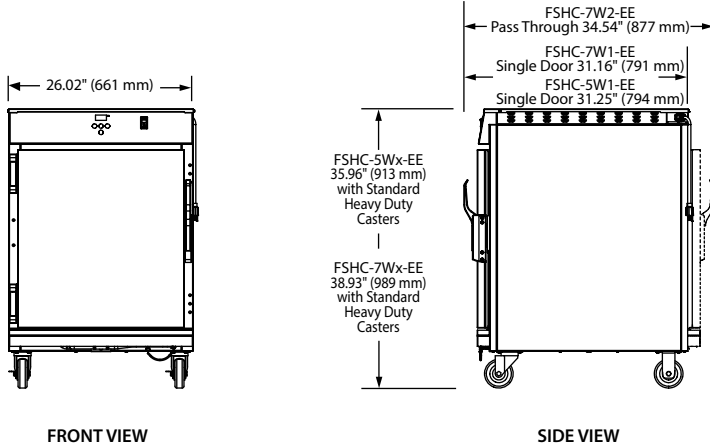


HATCO CORPORATION | P.O. Box 340500 Milwaukee, WI 53234-0500 U.S.A.
 (800) 558-0607 | (414) 671-6350 | www.hatcocorp.com | support@hatcocorp.com



Flav-R-Savor® Portable Holding Cabinets

Models: FSHC-5W1-EE, -7W1-EE, -7W2-EE



SPECIFICATIONS

Flav-R-Savor® Portable Holding Cabinets

The shaded areas contain electrical information for International models

Model	Description	Dimensions (W x D x H) w/Casters	Volts	Phase	Hertz	Watts	Amps	Plug	Ship Weight*
FSHC-5W1-EE	Single Door	26.02"W x 31.25"D x 35.96"H (661 x 794 x 914 mm)	120	Single	60	1118	9.3	NEMA 5-15P	250 lbs. (113 kg)
			220	Single	50/60	1081	4.9	BS-1363, CEE 7/7 Schuko, AS 3112	
			230	Single	50/60	1182	5.1		
			240	Single	50/60	1287	5.4		
FSHC-7W1-EE	Single Door	26.02"W x 31.16"D x 38.93"H (661 x 791 x 989 mm)	120	Single	60	1118	9.3	NEMA 5-15P	222 lbs. (101 kg)
			220	Single	50/60	1081	4.9	BS-1363, CEE 7/7 Schuko, AS 3112	
			230	Single	50/60	1182	5.1		
			240	Single	50/60	1287	5.4		
FSHC-7W2-EE	Pass-Through	26.02"W x 34.54"D x 38.93"H (661 x 877 x 989 mm)	120	Single	60	1118	9.3	NEMA 5-15P	232 lbs. (105 kg)
			220	Single	50/60	1081	4.9	BS-1363, CEE 7/7 Schuko, AS 3112	
			230	Single	50/60	1182	5.1		
			240	Single	50/60	1287	5.4		

* Shipping weight includes packaging.

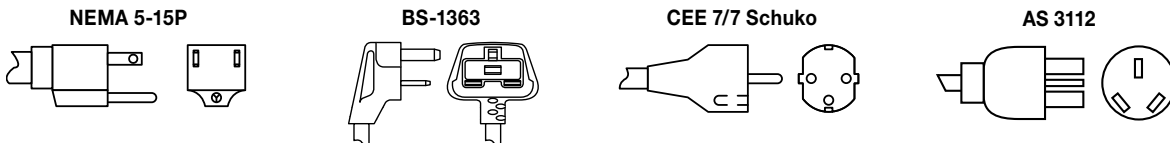
WATER CAPACITY

1 gallon (3.8 liters).

CORD LOCATION

Back of unit, top right side.

PLUG CONFIGURATIONS



PRODUCT SPECS

Flav-R-Savor® Portable Holding Cabinets

The humidity and heat-controlled Portable Holding Cabinet shall be a Flav-R-Savor® Model ..., rated at ... volts, and ... watts, as manufactured by the Hatco Corporation, Milwaukee, WI 53234 U.S.A.

The cabinet shall have ... door(s), rack slides, insulated side walls, 4" (102 mm) diameter casters with wheel locks, and a 6' (1829 mm) cord and plug. It shall include

a water reservoir, electronic control with digital read out, temperature and humidity controlled, pan slides. Energy Star 120V models with stainless steel doors.

Accessories shall include extra pan slides and food pans.

Warranty consists of 24/7 parts and service assistance (U.S. and Canada only).

HATCO CORPORATION | P.O. Box 340500 Milwaukee, WI 53234-0500 U.S.A.
(800) 558-0607 | (414) 671-6350 | www.hatcocorp.com | support@hatcocorp.com