



Project \_\_\_\_\_  
 Item # \_\_\_\_\_  
 Quantity \_\_\_\_\_

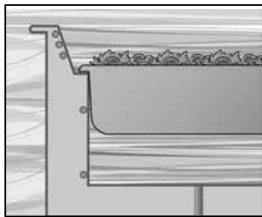
# Refrigerated Slim Drop-In Wells

Models: CWB-S1, -S2, -S3, -S4

Hatco's Refrigerated Slim Drop-In Well is a full-size unit that blankets your pre-chilled food product to retain optimum freshness and taste in one efficient and easy operation – but placed lengthwise. This provides customers with a complete cold well within easy reach, regardless of the sneeze guards.

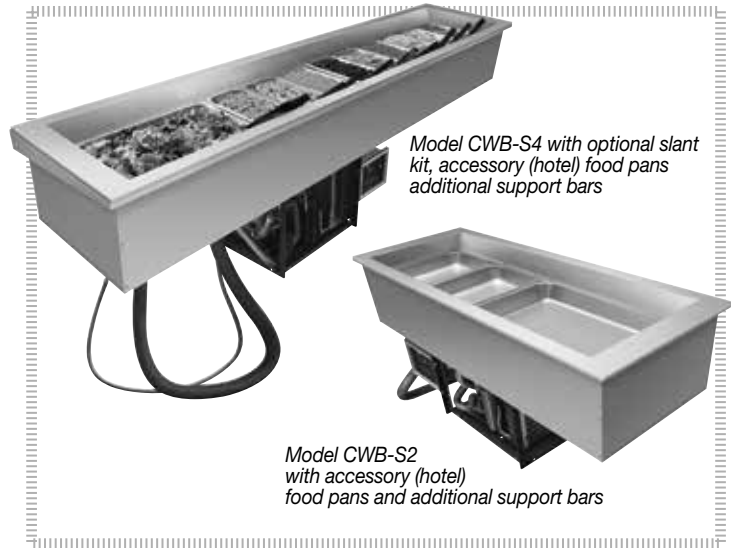
## Standard features

- R-513A refrigerant available for California only. Please contact Hatco for more information
- Insulated wells available in 1 to 4 full-size pan configurations, but placed lengthwise
- NSF 7 approved cold wall construction utilizes a refrigerant that keeps food product cold without drying it out



*The unique angled inside wall design provides easy access and clear views. The greater surface area of the angled wall and the placement of the coils allow cold air to more effectively blanket your food product.*

- Adjustable condensing unit can rotate 180° on all models for easy venting adjustments and flexibility at installation
- Mobile condensing unit can be moved in 4.855" (123 mm) increments from center to left (away from drain) on the two-, three- and four-pan units (CWB-S1 is rotatable only)
- Easy serviceability with a sight glass, service valves, dryer/filter and a receiver. Long, flexible refrigerant line (ability to pullout condensing unit) for service
- Auto-defrost is activated through an advanced electronic controller programmed at customer location
- Optimal insulation on sides and bottom ensure better cold retention
- Environmentally friendly insulation used throughout
- 1" NPT brass drain simplifies cleaning



*Model CWB-S4 with optional slant kit, accessory (hotel) food pans additional support bars*

*Model CWB-S2 with accessory (hotel) food pans and additional support bars*

## Options (available at time of purchase only)

- Additional Four-Year Parts Only Warranty on the Compressor at Time of Unit Purchase (Not available for export voltages)
- Slant Kit to give Cold Wells a 5° tilt

## Accessories

### Pan Support Bars

- 12" (305 mm)

### Stainless Steel Food Pans:

- Third-Size (2.5" [64 mm] H)
- Full-Size (2.5" [64 mm] H)
- Full-Size (6" [152 mm] H)
- Half-Size (2.5" [64 mm] H)
- Full-Size (4" [102 mm] H)

- False Bottom (perforated false bottom)

### Wire Trivets Stainless:

- Half-Size (10.19" [259 mm] W x 7.625 [194 mm] D)
- Full-Size (10.125" [259 mm] W x 18" [457 mm] D)

**For operation, location and safety information, please refer to the Installation & Operating Manual.**



**HATCO CORPORATION**  
 (800) 558-0607 | (414) 671-6350

P.O. Box 340500 Milwaukee, WI 53234-0500 U.S.A.  
 www.hatcocorp.com | support@hatcocorp.com



# Refrigerated Slim Drop-In Wells

Models: CWB-S1, -S2, -S3, -S4

## Ordering Instructions:

Please specify the following with each order:

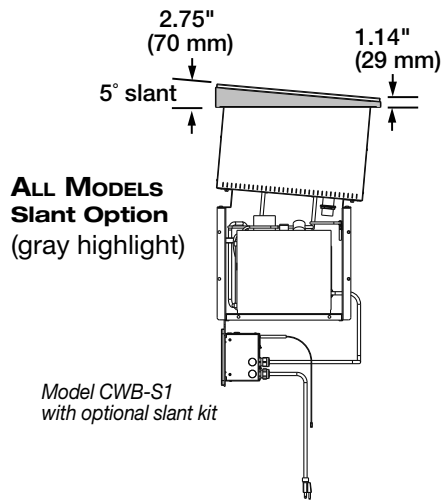
### 1. Desired Voltage and Hz:

- 120 (60 Hz),
- 220, 230 or 240V (50 or 60 Hz)

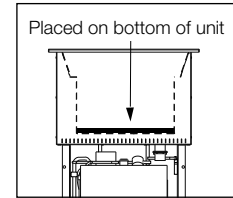
### 2. Number of Drop-In Wells Required:

- 1-, 2-, 3- or 4-pan
- NOTE:** only offered as rectangular, full-size (placed lengthwise) (12" W x 20" D [305 mm x 508 mm])

### 3. Electronic Control Assembly can be mounted on either side of the Condensing Unit or remotely mounted up to 4 feet (1219 mm) from the unit (cannot be mounted in front of the condensing coil)

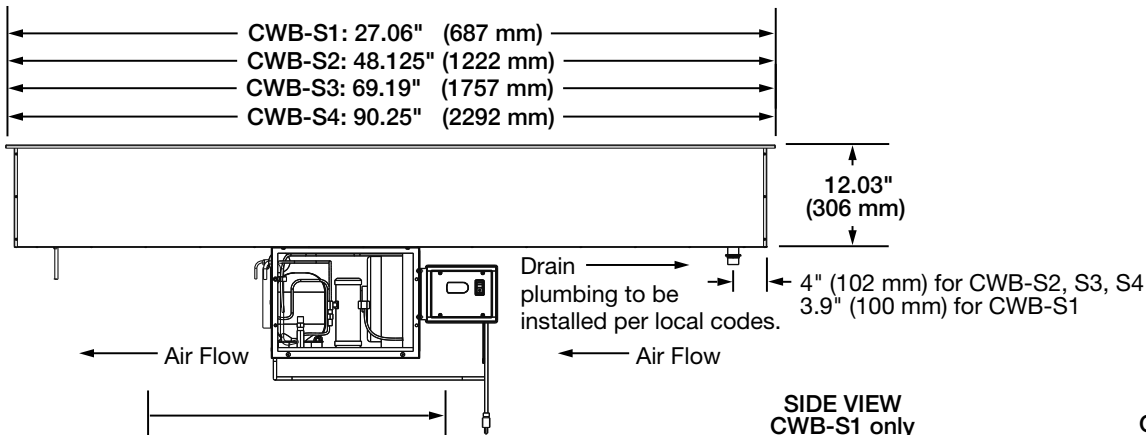


**ALL MODELS False Bottom Accessory**  
1-part or 2-part, depending on pan size



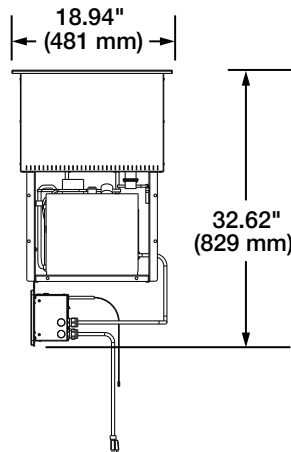
## Model CWB-S1, -S2, -S3, -S4

### FRONT VIEW

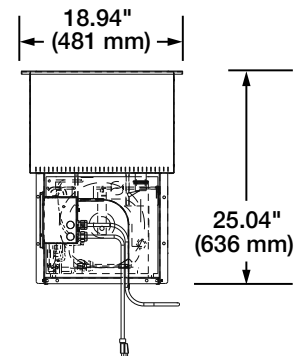


Condensing unit can be rotated only 180° (not 90°)  
CWB-S2, -S3, -S4 condensing units can also be mounted as shown or moved every 4.855" (123 mm) to the left (away from drain) under the refrigerated unit.

### SIDE VIEW CWB-S1 only



### SIDE VIEW CWB-S2, -S3, -S4

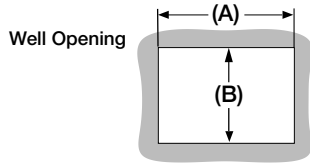


Contact Hatco for R-513A refrigerant specifications.



# Refrigerated Slim Drop-In Wells

Models: CWB-S1, -S2, -S3, -S4



## Cutout Dimensions for Slim Refrigerated Drop-In Wells

Model	Minimum Width (A)	Maximum Width (A)	Minimum Depth (B)	Maximum Depth (B)
CWB-S1	25.22" (641 mm)	26.06" (662 mm)	17.06" (433 mm)	17.94" (456 mm)
CWB-S2	46.25" (1175 mm)	47.09" (1196 mm)		
CWB-S3	67.31" (1710 mm)	68.16" (1731 mm)		
CWB-S4	88.375" (2245 mm)	89.22" (2266 mm)		

## SPECIFICATIONS Refrigerated Slim Drop-In Wells\*

The shaded areas contain electrical information for International models

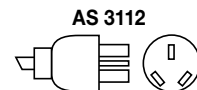
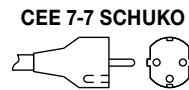
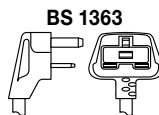
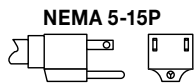
Model*	Dimensions (Width x Depth x Height)	Volts	HP Compressor Size <sup>Δ</sup>	Hz <sup>Δ</sup>	Watts <sup>Δ</sup>	Amps <sup>Δ</sup>	Phase	Plug	Ship Weight <sup>†</sup>
CWB-S1	27.06" x 18.94" x 32.62" (687 x 481 x 829 mm)	120	1/4	60	804	6.7	Single	NEMA 5-15P	146 lbs. (66 kg)
		220/230/240	1/3	50	616-744	2.8/2.9/3.1		BS, CEE, AS	
				60	686-816	3.1/3.3/3.4		BS1363	
CWB-S2	48.125" x 18.94" x 25.04" (1222 x 481 x 636 mm)	120	1/4	60	804	6.7		NEMA 5-15P	207 lbs. (94 kg)
		220/230/240	1/3	50	616-744	2.8/2.9/3.1		BS, CEE, AS	
				60	686-816	3.1/3.3/3.4		BS1363	
CWB-S3	69.19" x 18.94" x 25.04" (1757 x 481 x 636 mm)	120	1/3	60	468	6.5		NEMA 5-15P	235 lbs. (107 kg)
		220/230/240	3/8	50	807-960	3.7/3.8/4.0		BS, CEE, AS	
			1/3	60	686-816	3.1/3.3/3.4		BS1363	
CWB-S4	90.25" x 18.94" x 25.04" (2292 x 481 x 636 mm)	120	1/2	60	1380	11.5		NEMA 5-15P	290 lbs. (132 kg)
		220/230/240		50	1190-1416	5.4/5.7/5.9	BS, CEE, AS		
				60	1210-1440	5.5/5.8/6.0	BS1363		

\*Models shipped with electronic temperature control, pan support bars for full-size pans, condensing unit (can be rotated 180°), auto-defrost, sight glass, service valves and dryer.

†Shipping weights are approximate.

\*Contact Hatco for R-513A refrigerant specifications.

## PLUG CONFIGURATIONS



## PRODUCT SPECS Refrigerated Slim Drop-In Wells

The NSF 7 approved Refrigerated Slim Drop-in Well shall be a Model ... as manufactured by the Hatco Corporation, Milwaukee, WI 53234 U.S.A.

With 24/7 parts and service assistance (U.S. and Canada only), the Refrigerated Slim Drop-in Well shall be rated at ... watts, ... volts, ... hp, and be ... inches (millimeters) in overall width and be ... inches (millimeters) in overall depth. It shall utilize R-404A or R-513A refrigerant and consist of aluminized steel housing with a stainless bezel, an

electronic temperature control, pan support bars for full-size pans, condensing unit (can be rotated 180°), compressor, flexible refrigerant lines, sight glass, service valves, receiver, and dryer/filter.

Accessories may include pan support bars, false bottom, trivets and stainless steel food pans.

Warranty consists of 24/7 parts and service assistance (U.S. and Canada only).

**HATCO CORPORATION** | P.O. Box 340500 Milwaukee, WI 53234-0500 U.S.A.  
(800) 558-0607 | (414) 671-6350 | www.hatcocorp.com | support@hatcocorp.com