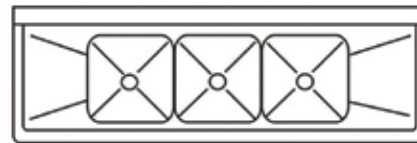
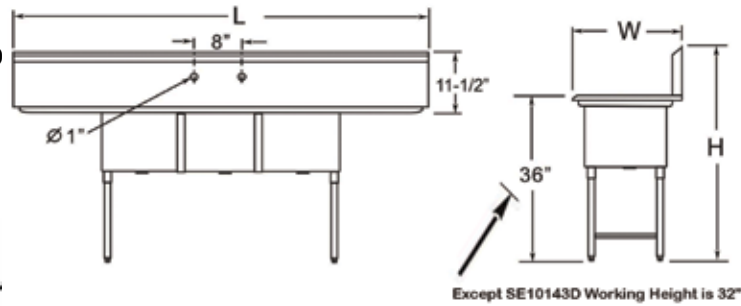


## Three Compartment Sinks

- \* Stainless steel legs with cross bracing.
- \* Extra welded under tubs for longevity .
- \* Strainer included.
- \* Strainer opening diameter 3-5/8"(Except SE10143D strainer opening dia. 1-7/8").
- \* Faucet not included.



**D**  
(Left & Right Board)

Suggested accessory



AA-7XXG



AA-8XXG



Sinks (69~78)

## THREE TUBS SINK W/ 2 DRAIN BOARDS

Order No	DBRD Side *	DBRD Length (inch)	Ga	Bowl Size ( inch )			Overall Size ( inch )			Weight lbs/ea
				BW	BL	BD	W	L	H	
*** SE10143D	L&R	12	18	14	10	10	21	54-3/8	41	48
SE15153D	L&R	15	18	15	15	12	21	75-3/8	45	70
SE16203D18	L&R	18	18	20	16	12	26	84-3/8	45	84
SE16203D24	L&R	24	18	20	16	12	26	96-3/8	45	88
SE18183D	L&R	18	18	18	18	12	24	90-3/8	45	91
SE18183D20	L&R	20	18	18	18	14	24	94-3/8	45	93
SE18183D24	L&R	24	18	18	18	14	24	102-3/8	45	96
SH18243D	L&R	18	16	24	18	14	30	90-3/8	45	125
SH18243D24	L&R	24	16	24	18	14	30	102-3/8	45	130
SH20203D	L&R	20	16	20	20	14	26	100-3/8	45	112
SH20243D	L&R	20	16	24	20	14	30	100-3/8	45	132
** SH20283D	L&R	20	16	28	20	14	34	100-3/8	45	145
** SH24243D	L&R	24	16	24	24	14	30	120-3/8	45	155

\* DBRD: Drain Board

\*\* Two Sets of Faucets

\*\*\* SE10141D Working Height is 41", Overall size is 54-3/8"