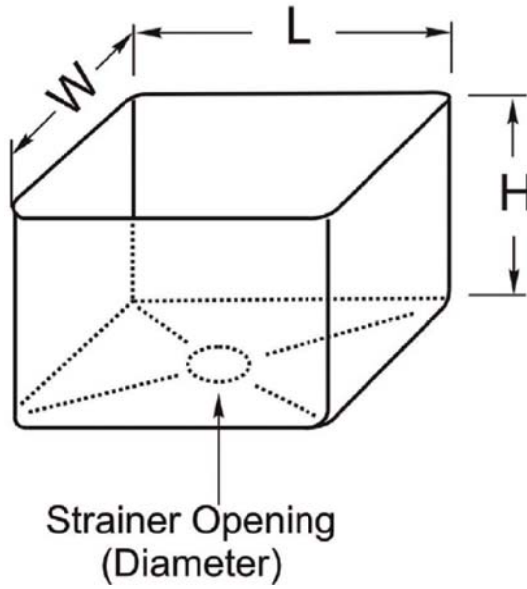


Stainless Steel Sink Bowls

- Ideal for custom-made sinks.
- Machine sanded and polished.
- Quality 304 series stainless steel.



Order No	Ga	Overall Size (inch)		Weight lbs/ea
		W x L x H	Strainer Opening	
SB-101410	16	14"x10"x10"	ø1-7/8"	7.2
SB-111008	16	10"x11"x8"	ø1-7/8"	6
SB-121210	16	12"x12"x10"	ø1-7/8"	9.5
SB-141414	16	14"x14"x14"	ø3-1/2"	10.8
SB-161614	16	16"x16"x14"	ø3-1/2"	16
SB-162014	16	16"x20"x14"	ø3-1/2"	18.5
SB-181814	16	18"x18"x14"	ø3-1/2"	17.4
SB-182014	16	20"x18"x14"	ø3-1/2"	19.6
SB-182212	16	22"x18"x12"	ø3-1/2"	21
SB-182414	16	24"x18"x14"	ø3-1/2"	25.2
SB-202008	16	20"x20"x08"	ø3-1/2"	15.5
SB-202014	16	20"x20"x14"	ø3-1/2"	21.4
SB-202212	16	22"x20"x12"	ø3-1/2"	22.2
SB-202414	16	24"x20"x14"	ø3-1/2"	26.2
SB-202814	16	28"x20"x14"	ø3-1/2"	29.4
SB-222214	16	22"x22"x14"	ø3-1/2"	26
SB-242416	16	24"x24"x16"	ø3-1/2"	30