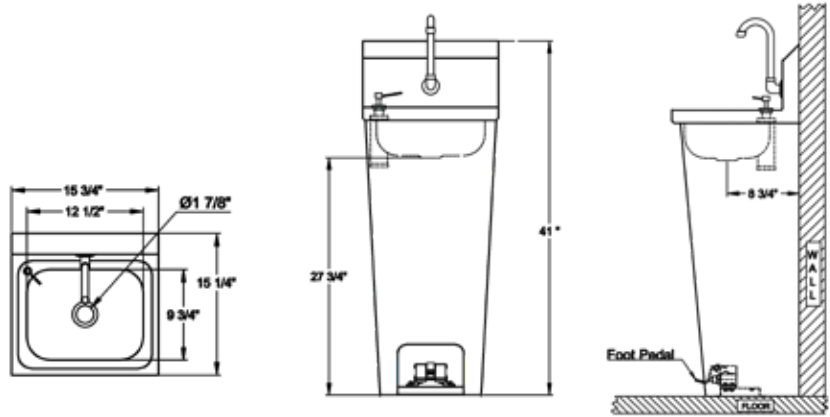


Foot & Knee Operated Faucet

Foot Operated Unit



- Faucet, foot operated valve & soap dispenser included
- Removable front cover for easy installation and plumbing access



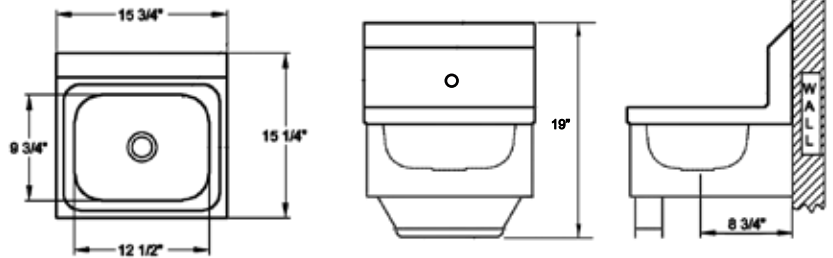
Item No.	Description	G. W. (lb)
HS-1615FG	Hand Sink With Foot Operated Valve	35

Knee Operated Hand Sink w/ Faucet & Soap Dispenser

HS-1615K

HS-1615KS

- Faucet & strainer included



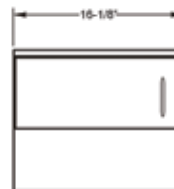
Item No.	Description	G. W. (lb)
HS-1615K	Hand Sink With Knee Operated Valve	21
HS-1615KS	Hand Sink With Knee Operated Valve & Splash Guards	24

Towel & Soap Dispensers

AA-145

AA-138

HS-CFO



Item No.	Description	G. W. (lb)	Qty. /case
AA-145	Wall Mount Soap Dispenser 30 oz. For Hand Sink	0.8	1
AA-138	Deck Mount Soap Dispenser 12 oz. For Hand Sink	0.5	1
HS-CFO	C-Fold Towel Dispenser	13	1

See page 48 for more.