

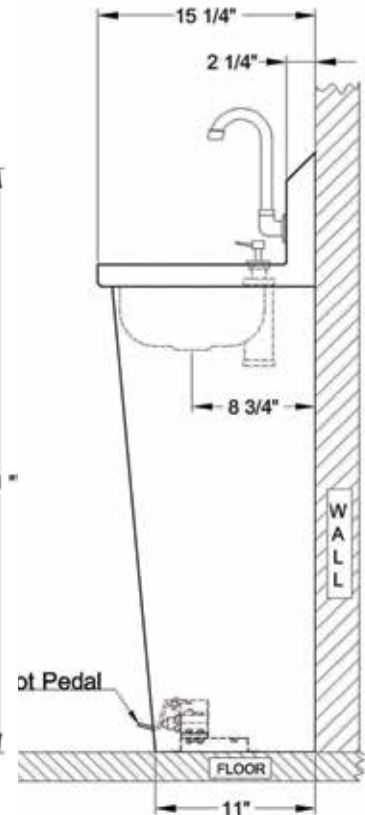
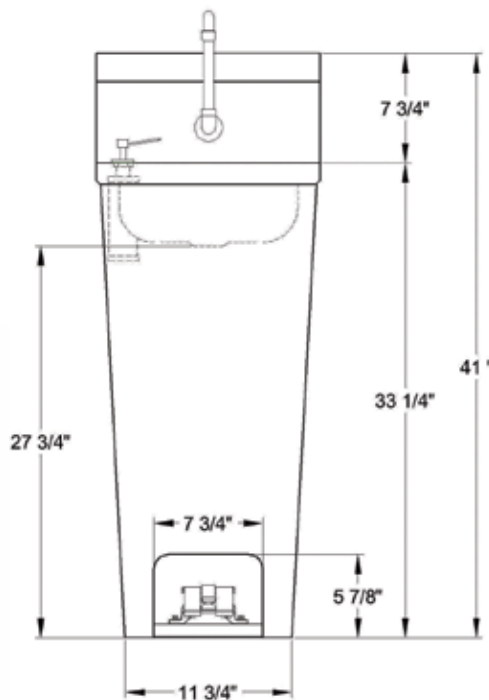
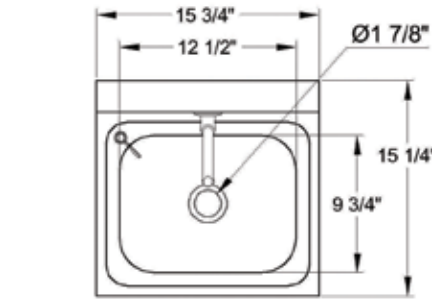
Foot Operated Unit

Faucet, Foot Operated Valve & Soap Dispenser Included



HS-1615FG

Removable Front Cover for Easy Installation and Plumbing Access.



Order No	Description	Weight lbs/case	Pack/case
HS-1615FG	Hand Sink w/Foot Operated Valve	35	1

Hand Sinks (61~68)