



Item No.: _____
 Order No.: _____
 Qty: _____ Date: _____

STANARD DOUBLE OVER-SHELF

Features

- All polished stainless steel
- Space saver mounting design
- Shipped knock-down
- Shelf holds up to 200 lbs



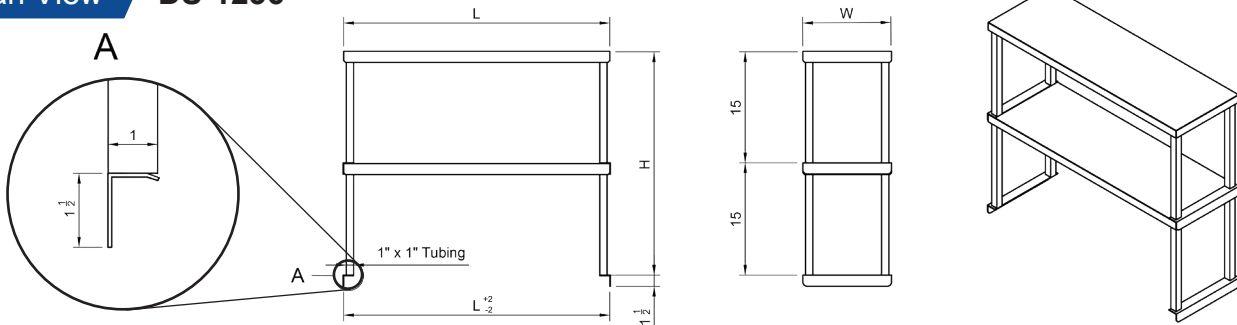
Intertek



Description **Standard Double Over-Shelf**

This overshelf has two storage shelves to maximize the available space of your kitchen. Its stainless steel construction ensures long-lasting durability to stand up to repeated use, and the whole shelf easily mounts on top of your beverage air S model. This storage shelf ships knocked down, but is easy to assemble and install. It comes with the required hardware for installation.

Plan View **DS-1236**



Order No.	W x L x H (in)	Load Cap. (lbs)	G. W. (lbs)
DS-1236	12 x 36 x 30	200	27
DS-1248	12 x 48 x 30	200	38
DS-1260	12 x 60 x 30	200	46
DS-1272	12 x 72 x 30	200	53
DS-1636	16 x 36 x 30	200	35
DS-1648	16 x 48 x 30	200	44
DS-1660	16 x 60 x 30	200	52
DS-1672	16 x 72 x 30	200	62
DS-1836	18 x 36 x 30	200	39
DS-1848	18 x 48 x 30	200	49
DS-1860	18 x 60 x 30	200	59
DS-1872	18 x 72 x 30	200	66