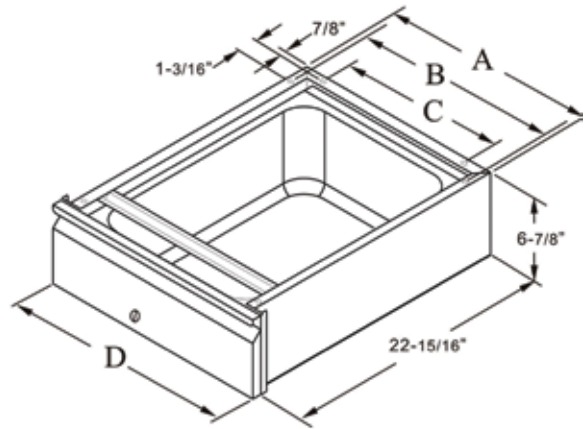


## Heavy Duty Table Drawer

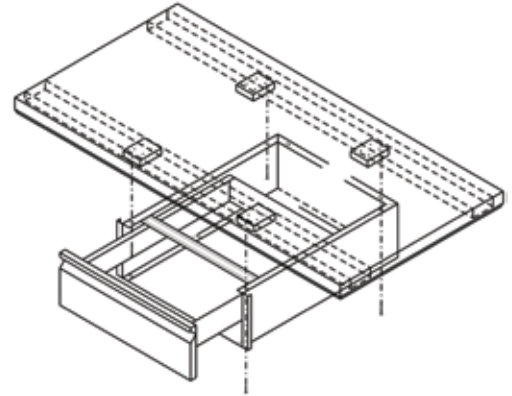
- \* Type Stainless Steel, economy, welded construction.
- \* Pan is available S/S or Plastic.
- \* Slotted, precise mounting holes offer quick, easy installation compatible to most worktable including hardware.
- \* Ball Bearing Slides, 200 lbs load capacity.



DA-1520  
DA-2020



### Installation instruction for drawer



- \* **Organize**  
for Kitchen wares, small wares.
- \* **Easy installation.**

Order No	Overall Dimensions					Weight lbs/ea	Pack/ case
	W x L x H	A	B	C	D		
DA-1520	19-9/16"x22-15/16"x6-7/8"	17-11/16"	16-3/4"	13-5/8"	19-9/16"	35	1
DA-2020	25-1/16"x22-15/16"x6-7/8"	23-3/8"	22-3/8"	19-5/16"	24-15/16"	36	1
DA-2020L	25-1/16"x22-15/16"x6-7/8"	23-3/8"	22-3/8"	19-5/16"	24-15/16"	36	1



S/S Pan

Order No	Pan size W x L x H	Weight lbs/ea	Pack/ case
DA-1520P	15"x20"x5"	5	1
DA-2020P	20"x20"x5"	6	1

Work Tables (82~88)