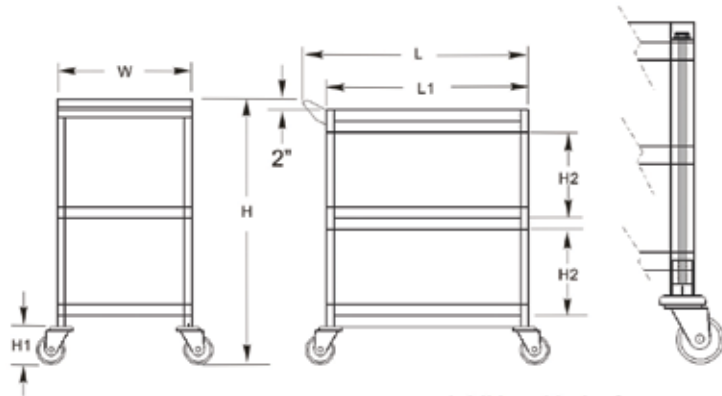


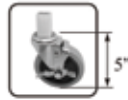
1" Tubular Utility Carts

- * All purpose bussing cart.
- * All stainless steel, 18 gauge.
- * 13" clearance between shelves.
- * 5" swivel casters.
- * Shipped knock-down and easy to assemble.



Replacement Caster:

Additional bolts from top to bottom for extra strength and durability.



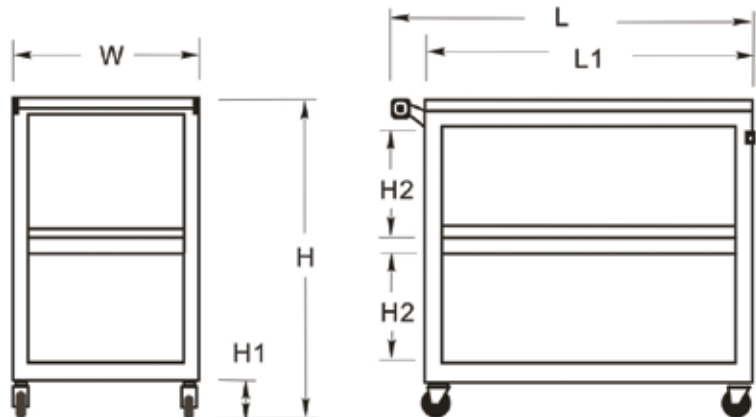
KS 5124 (w/side brake)

Order No	Measurements						Load Capacity (lbs)	Weight lbs/ case
	W	L	H	L1	H1	H2		
C-31K	15-1/2"	26-1/2"	35-1/4"	24"	5"	13"	200	33
C-32K	18"	29-1/2"	35-1/4"	27"	5"	13"	200	38

Carts (6~12)

Angle Leg Utility Carts

- * All purpose bussing cart.
- * All stainless steel, 18 gauge.
- * 5" Swivel quiet easy rolling casters.
- * 13" Clearance between shelves.



Replacement Caster:



KP 5113 (w/side brake)

Order No	Measurements						Load Capacity (lbs)	Weight lbs/ case
	W	L	H	L1	H1	H2		
C-3111	15-1/2"	27"	33"-1/2"	24"	5"	13"	200	27
C-3222	18"	30"	34"	27"	5"	13"	200	38