



Item No.: _____
Order No.: _____
Qty: _____ Date: _____

BLENDER STATION

Features

- All stainless steel construction
- BS-1225 sink bowl: 9-3/4" W x 12-1/2" L x 6" D
- BS-1524 sink bowl: 12-3/4" W x 10" L x 6" D
- Legs: 1-5/8" tubular stainless steel with plastic bullet foot
- 4" center wall mount faucet (*faucet not included*)
- Power cord access hole with grommet on front panel
- ETL sanitation listed

Recommended Faucet Model:

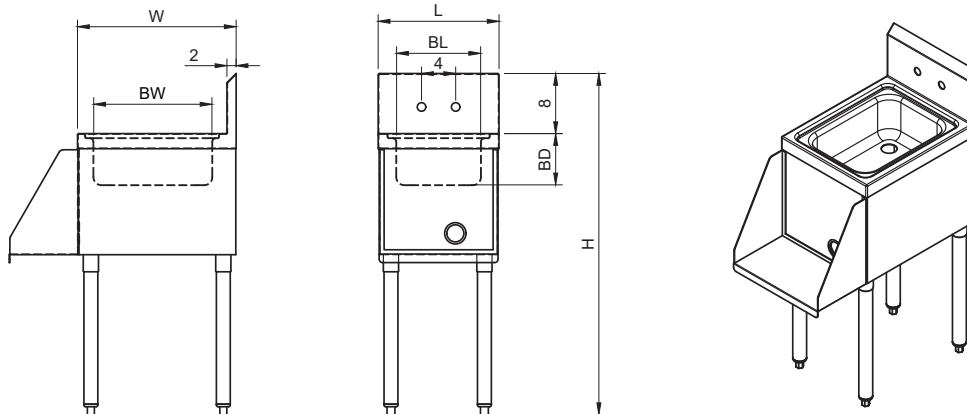
AA-410



Description Blender Station

Enhance staff efficiency and productivity when preparing specialty drinks with this stainless steel blender station. This unit combines a recessed blender shelf with a 6" deep drawn sink bowl and 8" backsplash for unparalleled convenience. The stainless steel step features a grommet hole for blender power cords to be hidden inside the blender station.

Plan View BS-1225



Order No.	W x L x H (in)	BW x BL x BD (in)	G. W. (lbs)	Qty.
BS-1225	12-5/8 x 25-13/32 x 38	9-3/4 x 12-1/2 x 6	34	1
BS-1524	15-3/4 x 24 x 38	12-3/4 x 10 x 6	36	1