



AMBIENT AND CHILLED

CONCEPT

COUNTER CHILLED DISPLAYS

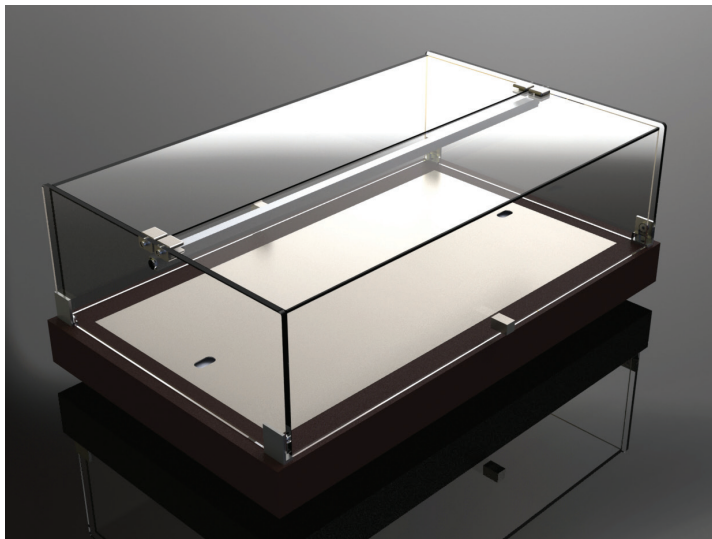
Fully panoramic displays offer versatility

FEATURES:

- Chilled counter top display
- Laminated galvanized exterior base
- Aluminum chill pack cover and interior liner
- Eutectic chill plate included - provides up to 4 hours of holding cold food
- Center mounted Plexiglas dual hinged cover with metal door pulls
- Additional chill packs available
- Ideal for meeting rooms, buffets, county fairs, dessert stations and much more

CHILLY

TE58C / TE87C



COUNTER AMBIENT DISPLAYS

Fully panoramic displays offer versatility

FEATURES:

- Two tempered glass shelves
- MDF top on TP353: Tempered glass top on TN583
- Fully enclosed tempered glass sides and doors
- Pass through design with aluminum columns
- MDF base material laminated

AMBIENTE

TP353



With vertical doors

ELEGANTE

TN583



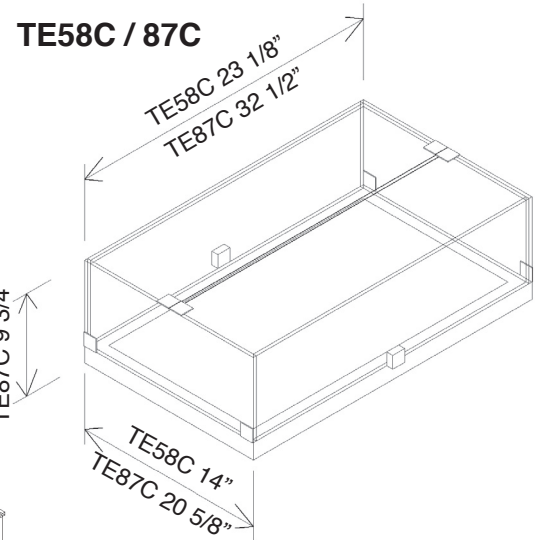
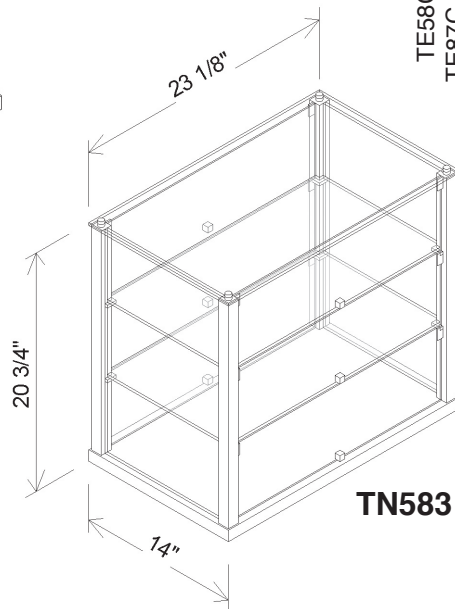
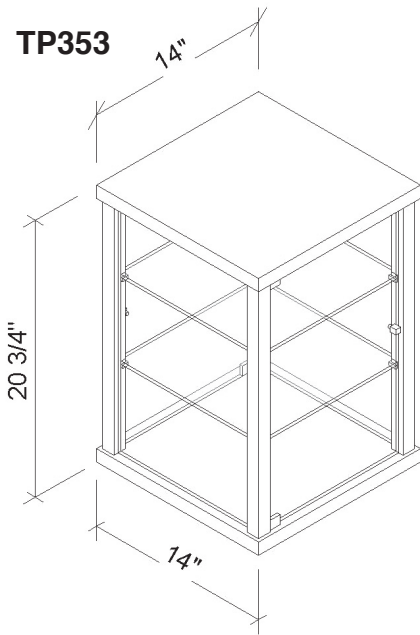
With horizontal doors



765 WESTMINSTER STREET PROVIDENCE, RI 02903
 TEL: (401)273-3300 FAX: (401) 273-3328 E-mail: sales@equipex.com
 www.equipex.com



COUNTERTOP DISPLAYS



SPECIFICATIONS

MODEL	EXTERIOR DIMENSIONS	SHELF DIMENSIONS	SHELF SPACING	SHIPPING WEIGHT
TP353	14"W x 14"D x 20 ³ / ₄ "H	12 ¹ / ₄ "W x 11 ⁵ / ₈ "D	6"	45 lbs
TN583	23 ¹ / ₈ "W x 14"D x 20 ³ / ₄ "H	18 ⁷ / ₁₆ "W x 12"D	6"	50 lbs
TE58C	23 ¹ / ₈ "W x 14"D x 7 ⁷ / ₈ "H	21 ³ / ₈ "W x 12 ¹ / ₂ "D	1 chill plate	25 lbs
TE87C	34 ¹ / ₄ "W x 20 ⁵ / ₈ "D x 9 ³ / ₄ "H	32 ¹ / ₂ "W x 19 ¹ / ₈ "D	3 chill plates	50 lbs

WARRANTY: Limited one year parts and labor



765 WESTMINSTER STREET PROVIDENCE, RI 02903
 TEL: (401)273-3300 FAX: (401) 273-3328 E-mail: sales@equipex.com
 www.equipex.com