

CONNERTON

American Made Since 1936

Model CG Manual Griddle

Date:

Project:

Quantity:



Floor Model



Welded #304 Stainless Steel
For easy cleaning and long life

Integrated "Fire Box - Flue"
Enclosed back, reflects heat up into griddle

3/4" Highly Polished Plate
1" Plate option available

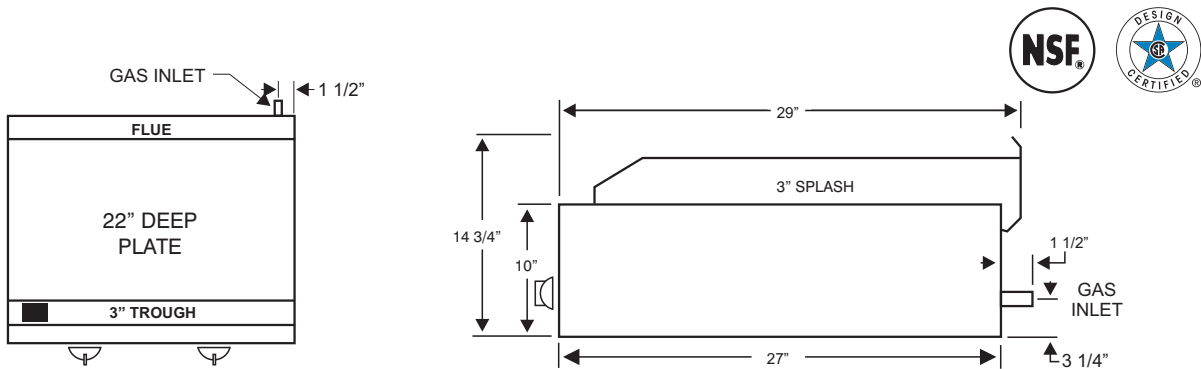
The Connerton Company

1131 E. Wakeham Avenue, Santa Ana, CA 92705-4145

Telephone: (714) 547-9218 Fax: (714) 547-1969

www.connertoncompany.com

Model CG Manual Griddle



Floor Model

Model	Width	Depth	BTU	Burners	Wt. (Est)*	Wt. (Est)*
CG-12-M	12"	27"	22,000	1	95	115
CG-18-M	18"	27"	22,000	1	145	165
CG-24-M	24"	27"	44,000	2	165	190
CG-30-M	30"	27"	44,000	2	195	220
CG-36-M	36"	27"	66,000	3	235	265
CG-42-M	42"	27"	66,000	3	265	295
CG-48-M	48"	27"	88,000	4	300	335
CG-60-M	60"	27"	110,000	5	370	410
CG-72-M	72"	27"	132,000	6	440	485

*Note: Weight estimates are uncrated

Product Specifications:

Body:	16 Gauge #304 Stainless Steel, Fully Welded
Fire Box:	16 Gauge #304 Stainless Steel, Welded to Body
Front:	Removable 18 Gauge #304 Stainless Steel Panel
Plate:	3/4" Highly Polished Steel Plate (1" available)
Gutter:	14 Gauge #304 Stainless Steel
Splash:	14 Gauge #304 Stainless Steel, 3" High
Burners:	22,000 BTU Tubular Aluminized Steel, U-Shaped
Drip Pan:	18 Gauge #304 Stainless Steel
Valves:	Heavy Duty Brass
Gas Inlet:	3/4 NPT
Gas Pressure:	4.0" Natural, 11.0" Propane (Inches Water Column)
Legs (Floor Model):	1-1/2" sq. X 16 Gauge #304 Stainless Steel tubing welded to body with Stainless Steel undershelf and adjustable feet

Available Options:

- Stainless Steel Plate Shelf
- 4" Legs (welded to body)

Notes:

Gas Pressure Regulator is supplied and must be installed
 Combustible Locations: 8" Clearance sides and back
 Non-Combustible Locations Only: 0" Clearance sides and back
 Specify counter or floor model
 Specify type of gas and altitude if over 2,000 feet

Connerton Company reserves the right, without notice, to make changes and revisions in product specifications, materials and design, which in our opinion will provide better performance, durability and efficiency.

The Connerton Company

Telephone: (714) 547-9218

Fax: (714) 547-1969