



SANITATION CERTIFIED HIGH PERFORMANCE 7

Ambient (Unheated) Air Curtain

Data Sheet

For Mounting Heights To 7' (insect control)

STANDARD CONSTRUCTION

- EPH Listed per NSF 37
- 14" high x 15" deep
- 3/4 hp single speed motor(s)
- White or black aluminum exterior cover (Optional: Custom Color or Stainless)
- Wall & Top Mounting



Berner International Corporation certifies that the air curtains shown herein are licensed to bear the AMCA Seal. The ratings shown are based on tests and procedures performed in accordance with AMCA Publication 211 and comply with the requirements of the AMCA Certified Ratings Program. Rated data shown is for base (unheated) units. The AMCA Certified Ratings Seal applies to airflow rate, average outlet velocity, outlet velocity uniformity, velocity projection and power rating at free delivery only.



5 Year Limited Warranty



Air Curtain Fans for ANSI/NSF37 Customer Entry maximum mounting height is 7'

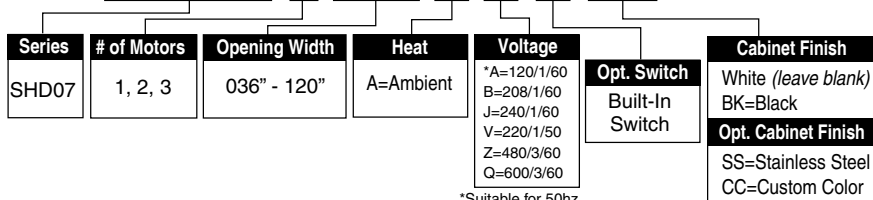
| MODEL | Nozzle Width (in) | Max Vel. at Nozzle (fpm) | Avg. Outlet Vel. (fpm) | Air Volume (cfm) | Outlet Vel. Uniformity | Power Rating (kW) | Motor(s) @ hp | Net Wt. (lbs) |
|-------------|-------------------|--------------------------|------------------------|------------------|------------------------|-------------------|---------------|---------------|
| SHD07-1036A | 36.00 | 5,917 | 2,110 | 1,846 | 73% | 0.77 | 1 @ 3/4 | 50 |
| SHD07-1042A | 42.00 | 4,418 | 1,716 | 1,752 | 79% | 0.75 | 1 @ 3/4 | 52 |
| SHD07-1048A | 48.00 | 3,815 | 1,613 | 1,882 | 38% | 0.73 | 1 @ 3/4 | 53 |
| SHD07-2060A | 60.00 | 3,963 | 1,869 | 2,726 | 74% | 1.18 | 2 @ 3/4 | 70 |
| SHD07-2072A | 72.00 | 5,917 | 2,110 | 3,692 | 73% | 1.54 | 2 @ 3/4 | 100 |
| SHD07-2084A | 87.00 | 4,418 | 1,657 | 3,504 | 79% | 1.50 | 2 @ 3/4 | 104 |
| SHD07-2096A | 99.00 | 3,815 | 1,564 | 3,764 | 38% | 1.46 | 2 @ 3/4 | 106 |
| SHD07-3108A | 114.00 | 5,917 | 1,999 | 5,538 | 73% | 2.31 | 3 @ 3/4 | 150 |
| SHD07-3120A | 116.50 | 4,418 | 1,923 | 5,444 | 73% | 2.29 | 3 @ 3/4 | 152 |

NOTE: Operation at 50 Hz will generate approximately a 17% reduction in air performance.

See sheet EP-310 for amp draws/total load requirements.

MODEL NUMBER CONFIGURATION

SHD07-1 036 A A-B-SS



for Standard offering, leave options (Opt.) blank
make sure to specify Cabinet Finish if other than white

| VELOCITY PROJECTION: Model SHD07-1036A | | | |
|--|------|------|------|
| Distance from Nozzle (in) | 40 | 60 | 80 |
| Core Velocity (fpm) | 3820 | 2750 | 2190 |
| Uniformity (%) | 82 | 76 | 93 |

Sound level measured 10' (3m) from the unit in free field:
1 & 2 motor(s): 66 dBA & 69 dBA

Sound data is not AMCA certified.

Berner reserves the right to alter specifications without prior notice.

www.berner.com **Berner International** 800.245.4455
111 Progress Ave. / New Castle / PA / 16101 / USA

DS-310
October, 2017



SANITATION CERTIFIED HIGH PERFORMANCE 7

Ambient (Unheated) Air Curtain Electrical Performance Sheet

| | | 120/1/60 (voltage code A) MOTOR AMP DRAW = 7.5 each | | 208/1/60 (voltage code B) MOTOR AMP DRAW = 3.8 each | | 240/1/60 (voltage code J) or 220/1/50 (voltage code V) MOTOR AMP DRAW = 3.8 each | | | |
|--|--------|--|----------------------------|--|------------------|--|--------|------------------|----------------------------|
| MODEL | # CKTS | AMPS PER CIRCUIT | BREAKER RATING PER CIRCUIT | # CKTS | AMPS PER CIRCUIT | BREAKER RATING PER CIRCUIT | # CKTS | AMPS PER CIRCUIT | BREAKER RATING PER CIRCUIT |
| SHD07-1036A SHD07-1042A SHD07-1048A | 1 | 7.5 | 15 | 1 | 3.8 | 15 | 1 | 3.8 | 15 |
| SHD07-2060A SHD07-2072A SHD07-2084A SHD07-2096A | 1 | 15.0 | 20 | 1 | 7.6 | 15 | 1 | 7.6 | 15 |
| SHD07-3108A SHD07-3120A | 1 | 22.5 | 25 | 1 | 11.4 | 15 | 1 | 11.4 | 15 |

| | | 480/3/60 (voltage code Z) MOTOR AMP DRAW = 1.8 each | | 600/3/60 (voltage code Q) MOTOR AMP DRAW = 1.5 each | | |
|--|--------|--|----------------------------|--|------------------|----------------------------|
| MODEL | # CKTS | AMPS PER CIRCUIT | BREAKER RATING PER CIRCUIT | # CKTS | AMPS PER CIRCUIT | BREAKER RATING PER CIRCUIT |
| SHD07-1036A SHD07-1042A SHD07-1048A | 1 | 1.8 | 15 | 1 | 1.5 | 15 |
| SHD07-2060A SHD07-2072A SHD07-2084A SHD07-2096A | 1 | 3.6 | 15 | 1 | 3.0 | 15 |
| SHD07-3108A SHD07-3120A | 1 | 5.4 | 15 | 1 | 4.5 | 15 |

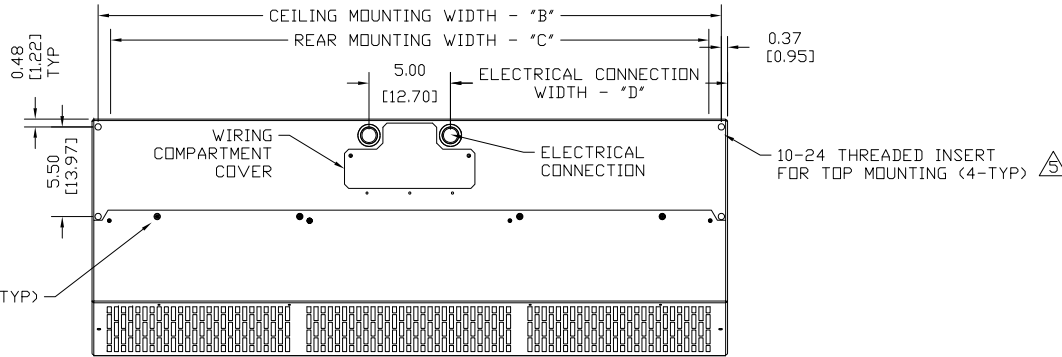
Berner reserves the right to alter specifications without prior notice.

www.berner.com Berner International 800.245-4455
111 Progress Ave. / New Castle / PA / 16101 / USA

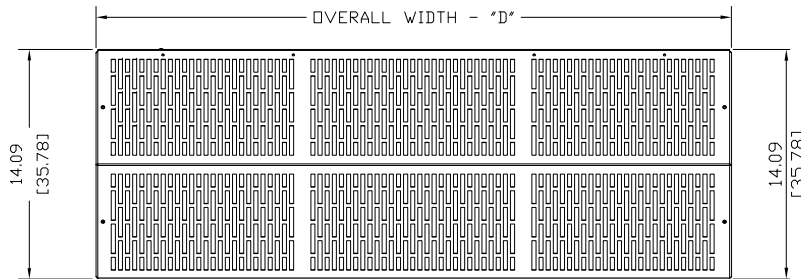
EP-310
October, 2017

SHD07 AMBIENT SYSTEM

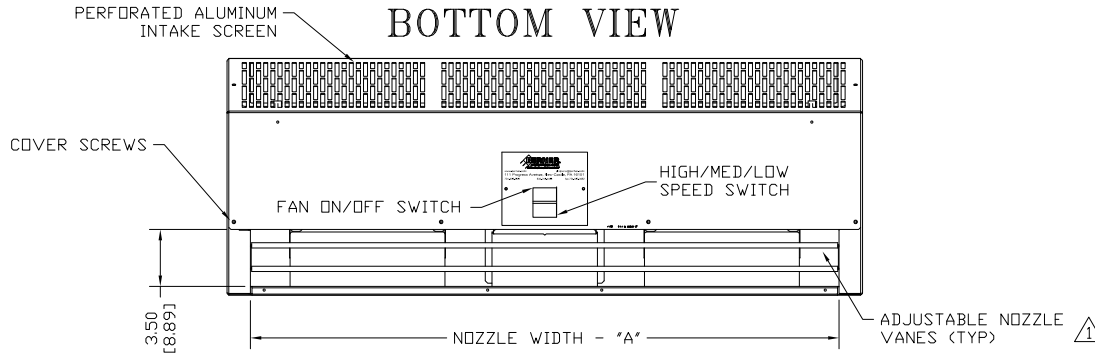
TOP VIEW



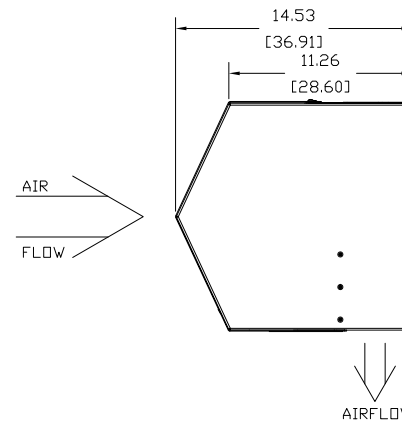
FRONT VIEW



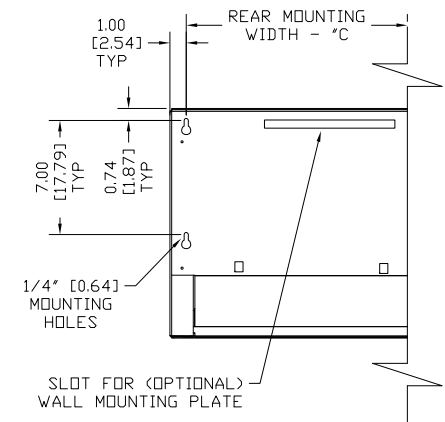
BOTTOM VIEW



END VIEW



REAR VIEW



NOTES:

- ⚠ AIR CURTAIN MUST BE INSTALLED SO AIR STREAM IS NOT OBSTRUCTED WHEN DEFLECTED 20° TO EITHER SIDE OF \mathcal{C} .
- ⚠ ELECTRICAL CONNECTIONS TO BE FLEXIBLE.
- ⚠ FIELD VERIFY DIMENSIONS.
- ⚠ ANCHORS TO SUPPORTING STRUCTURE BY OTHERS.
- ⚠ ADEQUACY OF SUPPORTING STRUCTURE IS TO BE VERIFIED BY A PROFESSIONAL STRUCTURAL ENGINEER.
- ⚠ LETTER "A" IN MODEL NUMBER DESIGNATES AMBIENT UNIT.
- ⚠ DIMENSIONS IN INCHES (CENTIMETERS).



| MODEL ⚠ | NOZZLE WIDTH 'A' | CEILING MOUNTING WIDTH 'B' | REAR MOUNTING WIDTH 'C' | UNIT WIDTH 'D' | ELECTRIC WIDTH 'E' |
|-------------|------------------|----------------------------|-------------------------|-----------------|--------------------|
| SHD07-1036A | 36.00 [91.44] | 38.25 [97.16] | 37.00 [93.98] | 39.00 [99.06] | 17.00 [43.18] |
| SHD07-1042A | 42.00 [106.68] | 44.25 [112.40] | 43.00 [109.22] | 45.00 [114.30] | 20.00 [50.80] |
| SHD07-1048A | 48.00 [121.92] | 50.25 [127.64] | 49.00 [124.46] | 51.00 [129.54] | 23.00 [58.42] |
| SHD07-2060A | 60.00 [152.40] | 62.25 [158.12] | 61.00 [154.94] | 63.00 [160.02] | 19.00 [48.26] |
| SHD07-2072A | 72.00 [182.88] | 74.25 [188.60] | 73.00 [185.42] | 75.00 [190.50] | 17.00 [43.18] |
| SHD07-2084A | 86.88 [220.66] | 89.13 [226.38] | 87.88 [223.22] | 89.88 [228.28] | 20.75 [52.71] |
| SHD07-2096A | 98.88 [251.14] | 101.13 [257.18] | 99.88 [253.70] | 101.88 [258.76] | 23.75 [60.33] |
| SHD07-3108A | 110.88 [281.62] | 113.13 [287.38] | 111.88 [284.18] | 113.88 [289.24] | 17.50 [44.45] |
| SHD07-3120A | 116.25 [295.28] | 118.50 [300.99] | 117.25 [297.82] | 119.25 [302.90] | 18.38 [46.67] |

| | | |
|-----------|-----------|---|
| PROJECT | | |
| LOCATION | | |
| ARCHITECT | | |
| ENGINEER | | REV. - |
| DWG. NO. | SHD07-AMB | TITLE: BERNER |
| DATE | 25SEP2017 | MODEL SHD07 AIR CURTAIN |
| BY | S. Beit | AMBIENT SYSTEM |
| REPLACES | - | BERNER INTERNATIONAL CORP. NEW CASTLE, PA. |
| BY | - | |