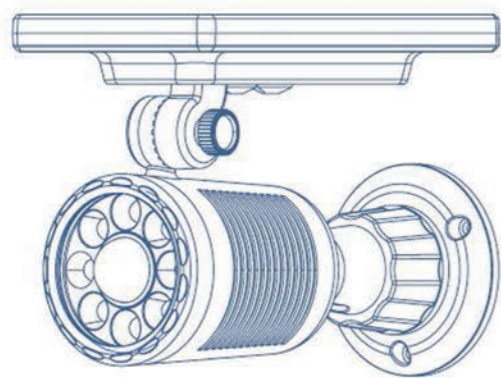


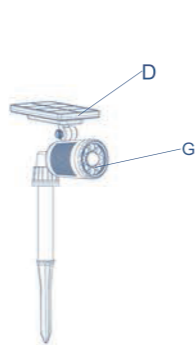
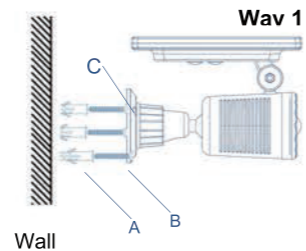
# InnoGear

## 8 LED Solar Powered Motion Sensor Spotlights

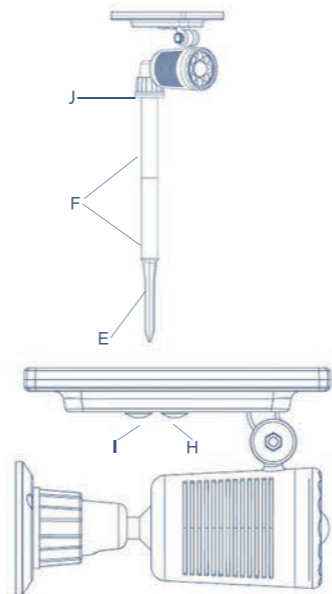
User Manual



### Installation



- A: Expansion Plug
- B: Screws
- C: Mounting Hole
- D: Solar Panel
- E: Plastic Ground Spike
- F: Stake
- G: Motion Sensor
- H: ON/OFF
- I : Mode
- J : Plastic Casing



### Specification

- Solar Panel: 5.5V/1.8W
- Battery: 18650 lithium battery 3.7V 2600mAh
- Charging Time: 10 Hours
- LEDs: F8MM,0.5W\*8 Pcs
- Flux: 500 Lumens
- LED Temperature: 6500K
- Waterproof Level: IP65
- Motion Sensor Range: 5-8 Meters

### Working Mode

#### 1. 1/4 brightness mode

First pressing ON/OFF button for 2 seconds --- the light blinks once and auto lights up in 1/4 brightness from dusk to dawn.

#### 2. 1/2 brightness mode

First pressing mode button --- the light blinks twice and auto lights up in 1/2 brightness from dusk to dawn.

#### 3. Dim + bright sensor mode

Second pressing mode button --- the light blinks 3 times and auto lights up in dim light, and turns into full brightness when motion is detected within 5 meters.

#### 4. Off + bright sensor mode

Third pressing mode button --- the light blinks 4 times and auto lights up in full brightness when motion is detected within 5 meters, and auto turns off when no motion is detected.

### Warning

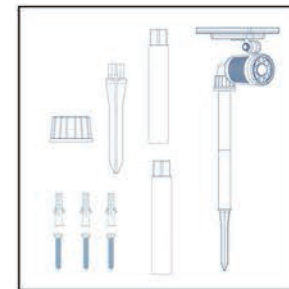
1. Do not dispose of the product and batteries in fire. When the product or batteries are disposed of in fire, the heat build-up may cause explosion.
2. Do not disassemble the product by yourselves.

### Note

1. For best results, charge the battery fully the first time you use the light.
2. The battery may be out of power if there is no efficient sunshine.
3. The light will blink if its battery power gets too low. Please charge it under the sun, otherwise it will turn off soon.
4. In cloudy days or in winter the charging time may be longer and the working time may be shorter, which is quite normal and should not be considered as the quality problem.

### Package Included

- 6\* Screws
- 6\* Expansion Plug
- 4\* Stake
- 2\* Plastic Casing
- 2\* Plastic Ground Spike
- 2\* Solar Spotlight



### After-sale Service

This product is guaranteed for 12 months from the date of purchase, please contact us if you need a replacement/refund.

Email: [support@innogear.net](mailto:support@innogear.net)

Phone: 800-806-3008

Follow us on Facebook



[www.facebook.com/InnoGear.net](https://www.facebook.com/InnoGear.net)