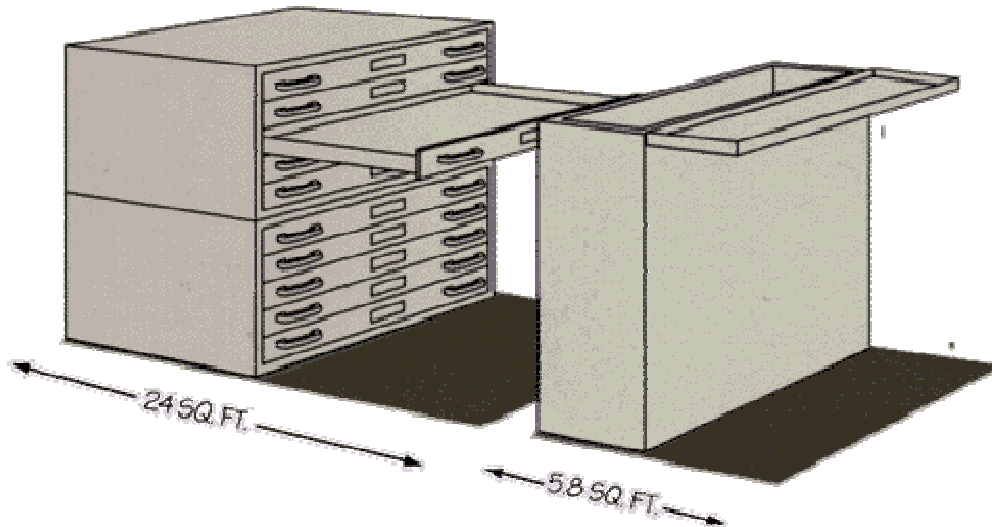


Specifications

Part #	Max Sheet Size	No. of Folders	Capacity Active	Capacity Inactive	Folder Number
<u>PF500</u>	24"×36"	20	1000	2000	9065
<u>PF510</u>	42"×30"	20	1000	2000	9067

Caster Caster Kit for the Cadfile includes 4 casters and hardware



The Cadfile cuts floor space requirements up to 75%!

Features

- Cadfile is easy to use. Simply open the flip-over lid (which becomes a shelf) and pull out the required file.
- Holds and protects documents using a unique spring compression system and heavy duty folders.
- Standard folders have Mylar reinforced hand holes. Available customization can provide folders to hold several different sized maps, engineering plots, architectural drawings, or any documents in one cabinet.
- Will hold 1000 24" × 36" documents in minimal space.
- Optional casters for complete mobility.
- Lower cost per sheet filed than any other system.
- Platinum powder-coated finish.
- Size and weight make the Cadfile FedEx shippable.