



## OPERATIONS MANUAL

*Please read the entire manual before proceeding. Questions? Call 1-877-902-2730.*

The Mouse Free Product contains no VOCs or solvents and is completely non-toxic, therefore it is not regulated by WHIMIS.

Material Safety Data Sheet is available for download at [www.mouse-free.com](http://www.mouse-free.com).

### Tools Required

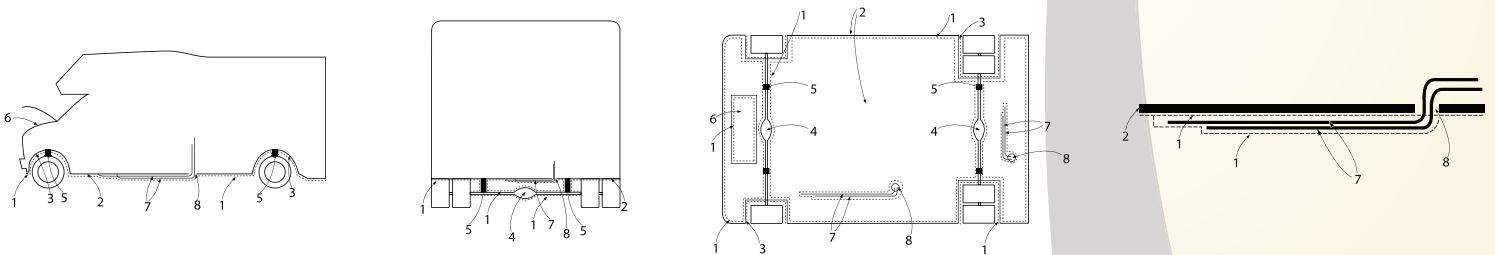
- A pair of safety glasses are recommended to protect eyes from any debris that may come loose.
- A low pressure spray gun is required to spray the Mouse Free product. This can be purchased from [www.mouse-free.com](http://www.mouse-free.com) if needed.
- Compressed air with a minimum of 60 PSI is required. Set your air pressure to 50 PSI and slowly increase the pressure until you reach a desired spray pattern. Make sure the operating pressure does NOT exceed the manufacturers maximum for the equipment you are using.

### Mouse Free is very clean!

The product covers areas where you very rarely even see! Underneath the RV! If you wish to remove the product from an area, simply wipe it off with a cloth.

### Where to apply the product?

It is important to coat the entire undercarriage including the wheel wells, axles, body mounts and supports. Be generous when applying over ledges, hoses, pipes and wires. Be sure to coat all access holes in the undercarriage. (View page 2 and 3 for details.)



### Where NOT to apply the product?

- Do not spray it on any item that gets very hot, such as the muffler, engine or generator.
- Do not spray the radiators, brakes, fan belts and sponge or filter style sensors.
- Do not spray areas that will need to be touched or accessed regularly such as the waste release levers.
- Do Not Apply Product On Fiberglass Body Panels, Brakes, Air Filters, Sensors, Engines, Generators, Radiators And Any Other Part That Is Not The Frame And Undercarriage.

### ⚠ Warnings & Safety!

Air injection hazard! Do not allow compressed air to be sprayed toward any person, especially against the skin.

Do not point the spray gun toward yourself or anyone else.

Use an approved NIOSH respirator to avoid inhalation of any dirt/dust or debris particles that may be present.

Do not use any material other than Mouse Free product with the spray equipment. Fire or explosion hazard could result.

Remember to avoid spraying the brakes. If sprayed unintentionally, use caution when first moving vehicle to confirm they are operating normally.

Use warm water and mild soap for clean up. If it accidentally gets in eyes, rinse with warm water for 15 minutes.

*“RVing should be stress-free,  
worry-free and of course...*

**MOUSE FREE!**<sup>TM</sup>

Figure 1

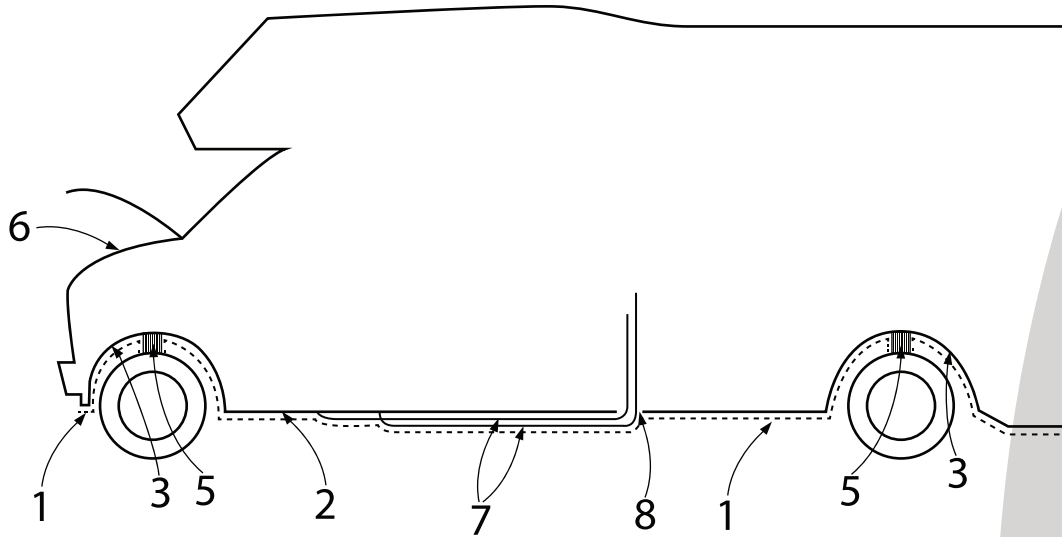
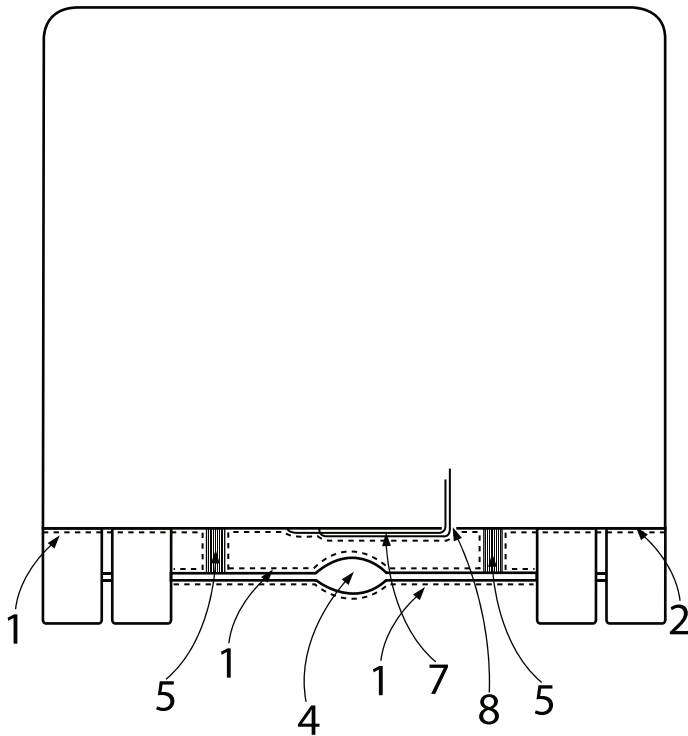


Figure 2



## LEGEND

**Fig. 1** Side Elevation of Motor Home

**Fig. 2** Rear Elevation of Motor Home

**Fig. 3** Bottom View of the Undercarriage of Motor Home

**Fig. 4** Enlarged Side Elevation View of the Hoses and Wires passing through floor of Motor Home

**Ensure the Coating(1) is applied to items 2-8 below.**

1 Coating

2 Entire Undercarriage

3 Wheel Wells

4 Axle

5 Body Mounts

6 Engine Compartment

7 Wires and Hoses

8 Entry/Access Holes

Figure 3

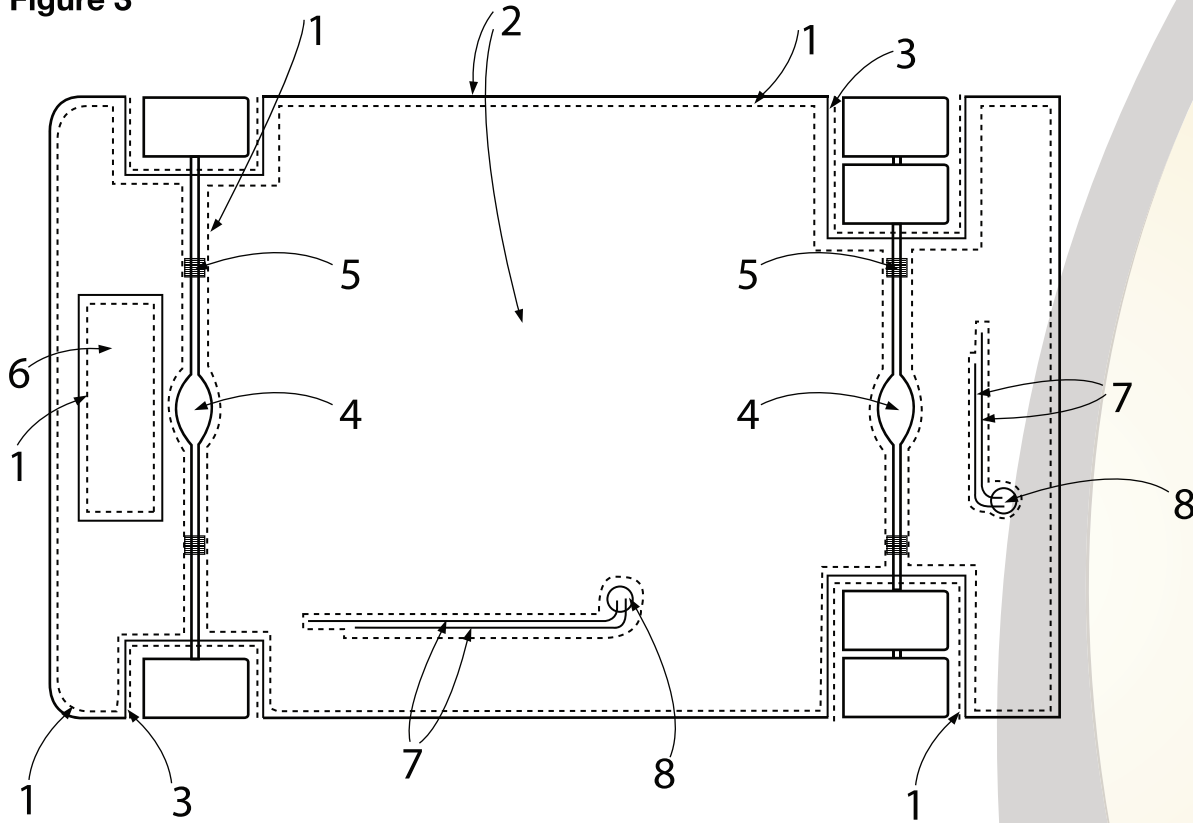
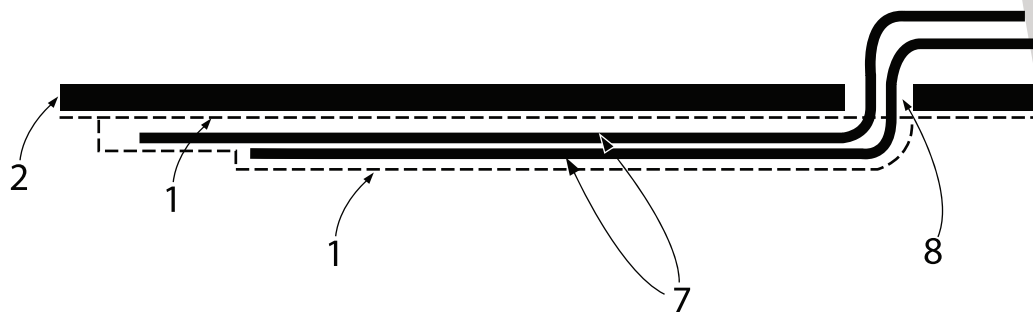


Figure 4



## LEGEND

Fig. 1 Side Elevation of Motor Home  
 Fig. 2 Rear Elevation of Motor Home  
 Fig. 3 Bottom View of the Undercarriage of Motor Home

Fig. 4 Enlarged Side Elevation View of the Hoses and Wires passing through floor of Motor Home

**Ensure the Coating(1) is applied to items 2-8 below.**

- 1 Coating
- 2 Entire Undercarriage
- 3 Wheel Wells
- 4 Axle
- 5 Body Mounts
- 6 Engine Compartment
- 7 Wires and Hoses
- 8 Entry/Access Holes