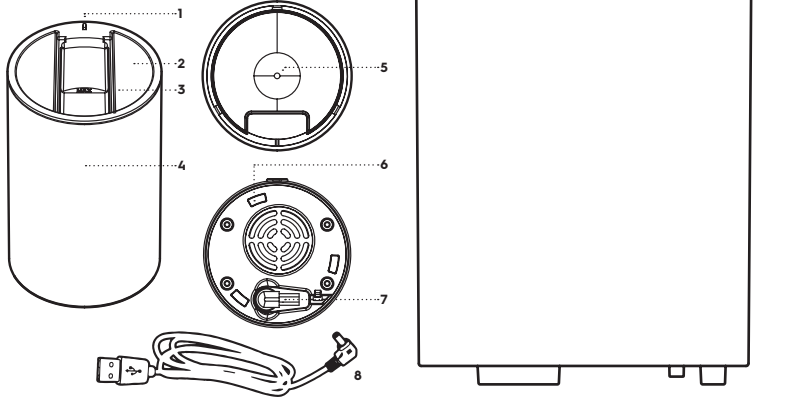


SKYPIPE™ TRAVEL ESSENTIAL OIL DIFFUSER

1. Air inlet
2. Water tank
3. Max water line
4. Machine
5. Air outlet
6. Drainage port
7. DC Power Socket
8. USB Cable
9. Mist outlet
10. Cover
11. Switch button
12. LED button



1 CLICK	ON INTERMITTENT VAPOUR	6-8 HOURS USE
2ND CLICK	ON CONTINUOUS VAPOUR	4-6 HOURS USE
3RD CLICK	OFF	

IMPORTANT INFORMATION

Please read before operating Skypipe™ Travel Essential Oil Diffuser.

Caution water temperature can heat up to 48°C during normal operation, this warmth is caused by the 3 million vibrations of the ultrasonic plate.

When water levels are low or empty Skypipe™ Travel will automatically shut off.

How to use:

1. Find an even surface for your diffuser.
2. Open the cover.
3. Fill the unit with water to the MAX water line.
4. We recommend 4-5 drops of essential oil.
5. Secure the water tank lid back on.
6. Plug Skypipe™ Travel Essential Oil Diffuser in USB socket.
7. Press the power button to start the machine.

Warning:

- Keep away from children and pets so they do not accidentally knock it over.
- Do not turn on when water tank is empty.
- Do not turn on if water tank lid is not secure.
- Do not refill or clean while USB cable is connected to a power outlet.
- Do not remove cover while the diffuser is on.
- Do not use chlorine, acid and enzyme type detergents to clean water tank.
- Do not block mist nozzle or the air intake at the bottom of the plastic base.
- Do not place this product near objects that may get damaged from moisture.
- Do not insert any objects in the Skypipe™ Travel Essential Oil Diffuser.
- Do not touch ultrasonic plate unless otherwise instructed.
- Do not fill the water tank over the Max line.

MAINTENANCE

Never perform maintenance or clean Skypipe™ Travel Essential Oil Diffuser while plugged in.

Clean every 3 days of heavy use or after 5-6 uses. Clean ultrasonic plate using cotton swab, do not touch with fingers. Always empty the water tank away from the air outlet. Empty Skypipe™ Travel when not in use for an extended period.

How to clean:

1. Safely tip water out of the water tank.
2. Dry the inside of the water tank with a clean cloth.
3. Clean ultrasonic plate using cotton swab, use light pressure to clean.
4. Use mild kitchen detergent to wash your diffuser.
5. Thoroughly dry before use.

Warranty:

Our goods come with guarantees that cannot be excluded under the Australian Consumer Law. You are entitled to a replacement or refund for a major failure and compensation for any other reasonably foreseeable loss or damage. You are also entitled to have the goods repaired or replaced if the goods fail to be of acceptable quality and the failure does not amount to a major failure.

This warranty is provided by Black Chicken Remedies for the period of 12 months from the date of purchase. Keep receipt for proof of purchase when claiming warranty. Immediately stop using the product if a fault arises. Contact Black Chicken Remedies on: support@blackchicken.com.au