

## PREPARATION

**Approximate Installation Time:** 60 minutes

**Tools Required for Installation:**

- Chop Saw or Hacksaw
- Electric Drill
- 3/16 Masonry Drill Bit
- 9/64 Metal Drill Bit
- Philips Bit
- Pencil/Felt tip pen
- Safety Glasses
- Measuring Tape
- Masking Tape
- Standard Screw Driver
- Phillips Screw Driver
- Level
- Rubber Mallet
- Clear Caulking or Sealant

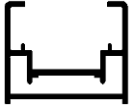

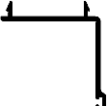
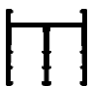


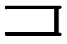

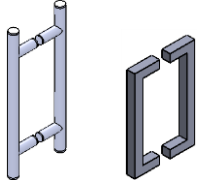
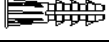




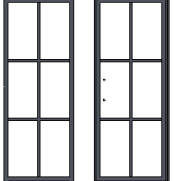
## QUESTIONS

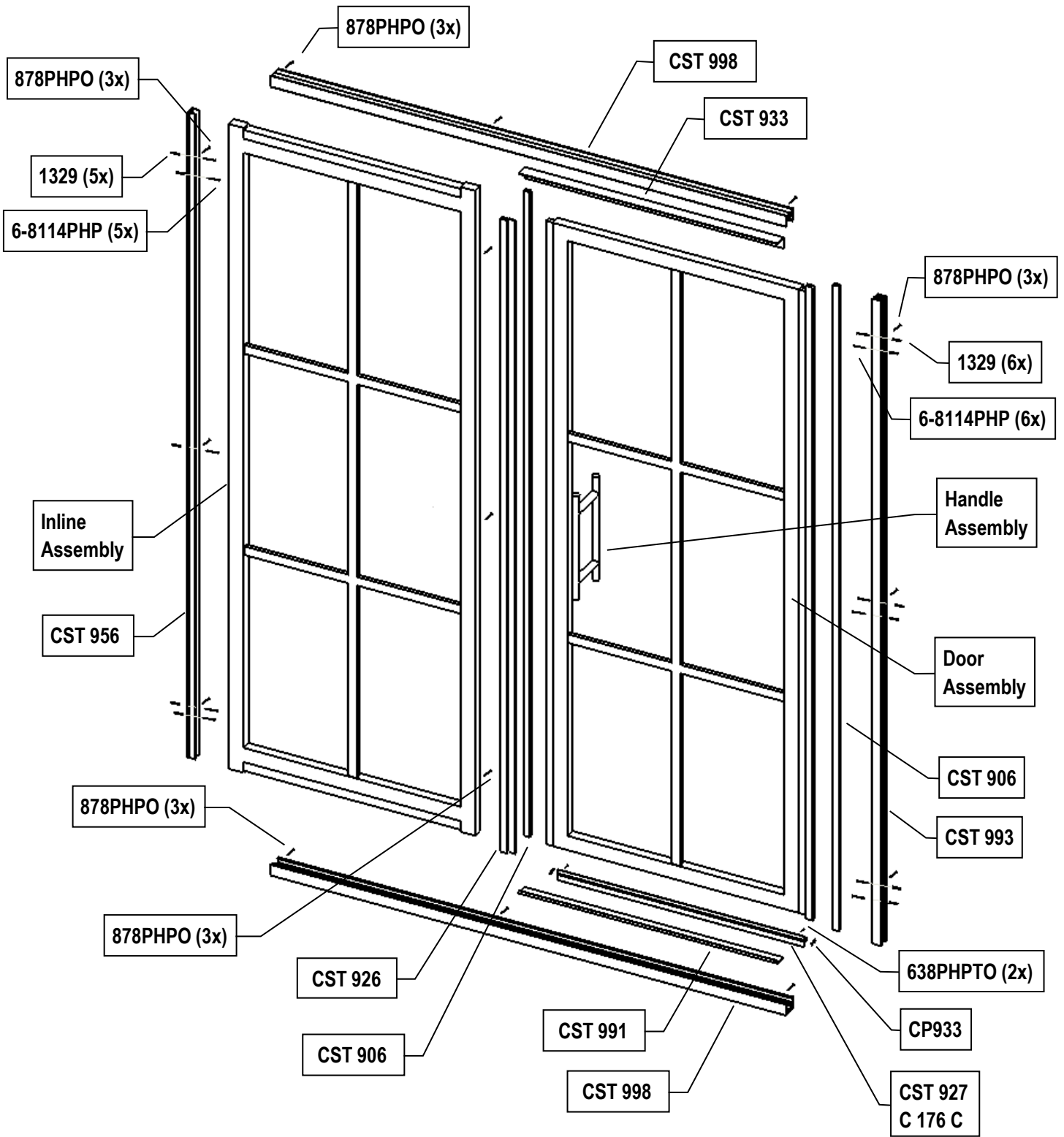


Before beginning installation of product, make sure all parts are present. Compare parts with package contents list and diagram below. Grid appearance may differ from images shown. If any part is missing or damaged, do not attempt to install the product.

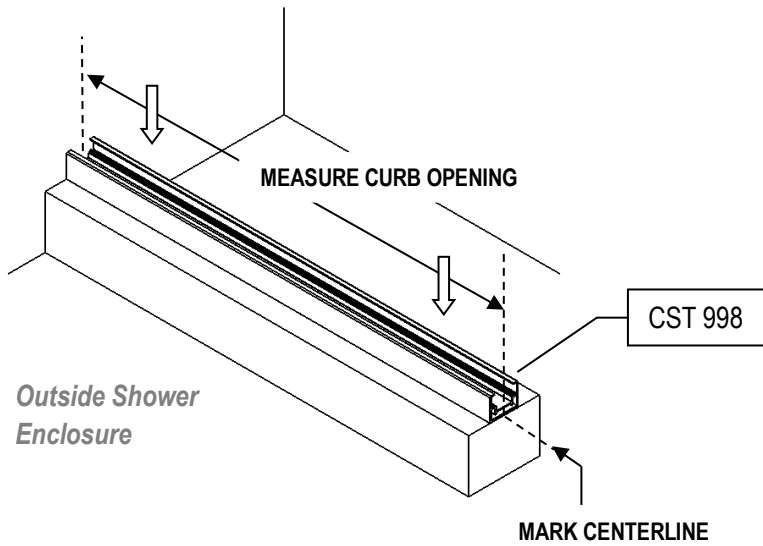
Please call our customer service department at 1-800-874-8601, 8 am - 5 pm EST, Monday to Friday.

### PACKAGE CONTENTS

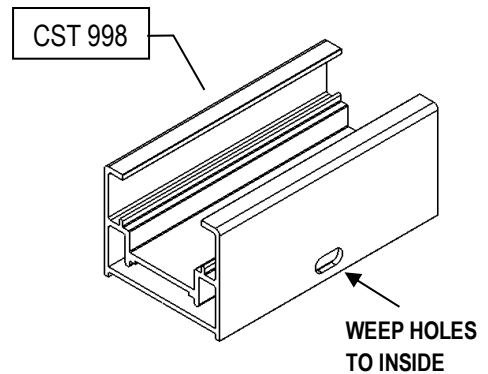
	CST 998	Sill / Header	2
	CST 991	Sill Cover Dam	1
	CST 933	Header Cover	1
	CST 993	Door Panel Wall Jamb	1
	CST 956	Inline Panel Wall Jamb	1
	CST 926	Strike Post with Magnet	1
	CST 906	Inline / Door Jamb Cover	2
	CST 927 & C 176 C	Drip Rail with Drip Sweep	1
	C-5313-80 or SQ8X80	8" Ladder Pull Back-to-Back Handle 8" Square Pull Back-to-Back Handle	1
	1329	Plastic Screw Anchor	11
	6-8114PHP	Installation Screw (#8 x 1-1/4")	11
	878PHPO	Panel Adjustment Screw (#8 x 7/8")	15
	638PHPTO	Drip Rail Screw (#6 x 3/8")	2
	CP933	Drip Rail Plug (Left / Right Set)	1
	-	Gridscape Door Panel & Inline Panel Assemblies	2



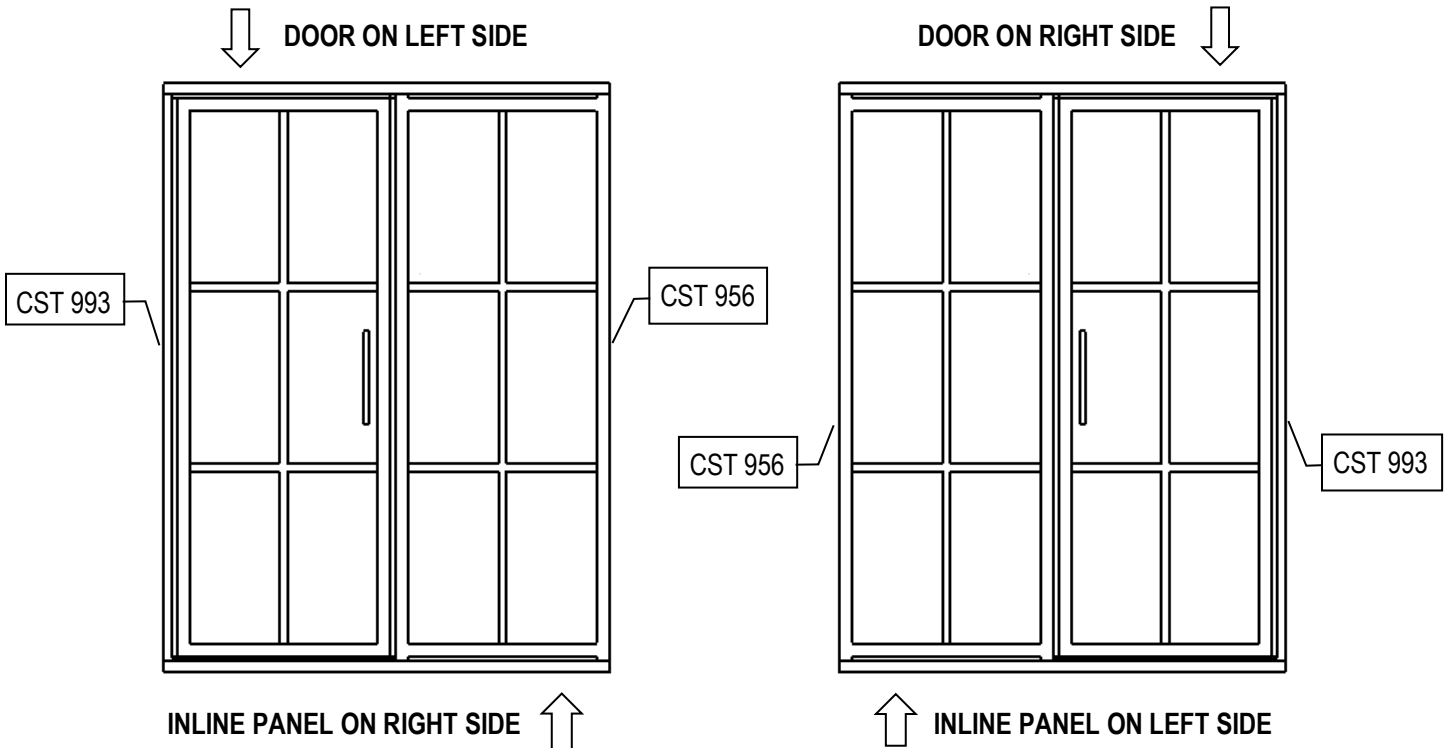
**STEP 1. TRIM AND POSITION SILL ON CURB CENTERLINE**



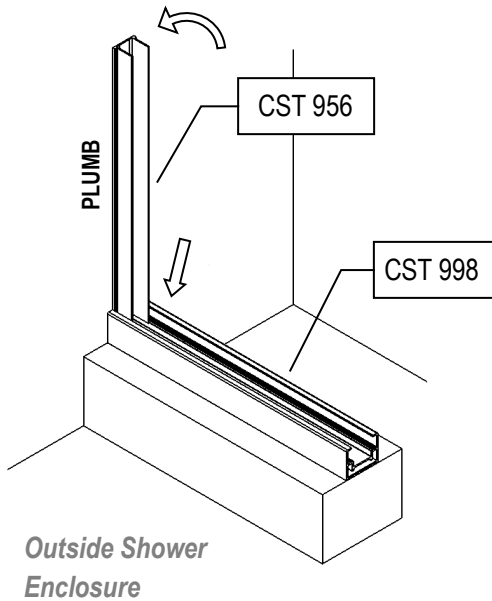
- Strike a centerline on the curb where the unit will sit.
- Measure the opening at the curb along the centerline  
Trim the Sill CST 998 (with weep holes) to fit.
- Position and center the Sill on the centerline, with the weep holes to the inside of the shower enclosure.  
Temporarily tape in place to prevent movement.



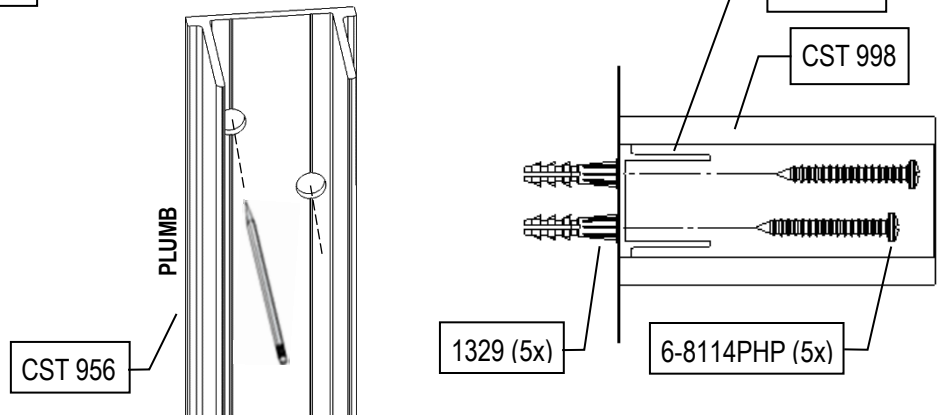
**STEP 2. IDENTIFY DOOR AND INLINE PANEL LOCATION**



**STEP 3. INSTALL INLINE PANEL WALL JAMB**

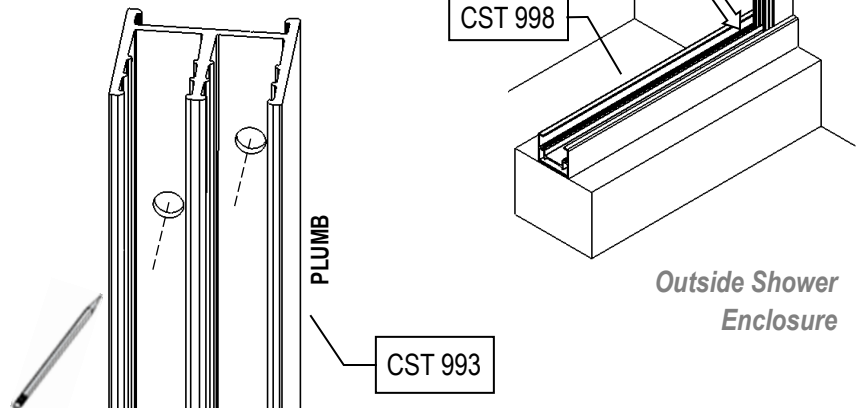
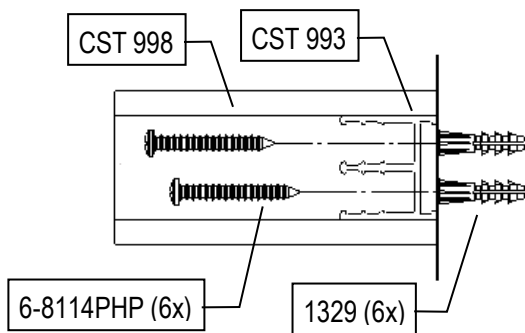


- Set the Inline Panel Wall Jamb CST 956 into the Sill CST 998 and up against the wall on the Inline Panel side.
- While holding the Wall Jamb plumb with a level, use the pre-drilled holes in the Jamb to pencil mark (5) hole locations on the wall.
- Remove the Jamb and drill installation holes using 3/16" masonry bit. Insert Plastic Screw Anchors 1329 into the holes.
- Secure the Wall Jamb in place using (5) Installation Screws 6-8114PHP (#6 Head - #8 x 1-1/14" Pan Head Philips).

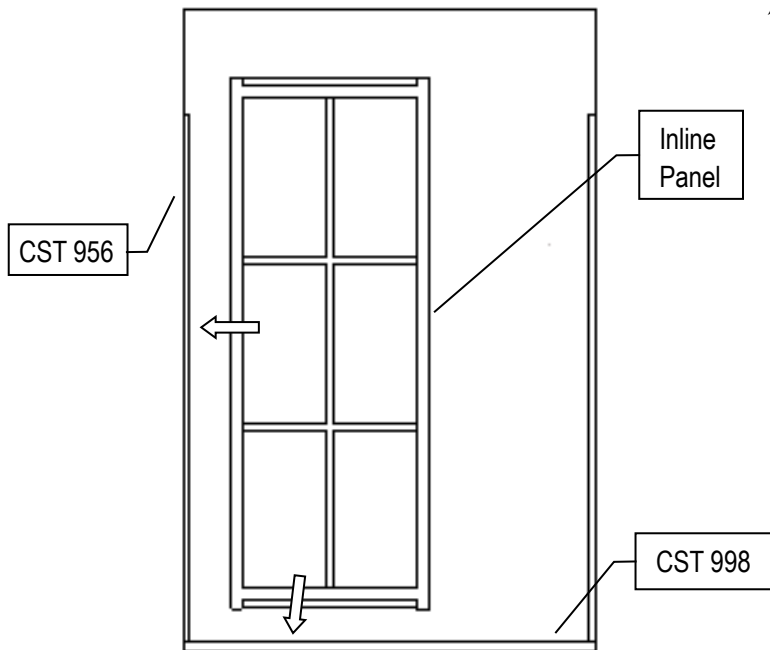


**STEP 4. INSTALL DOOR PANEL WALL JAMB**

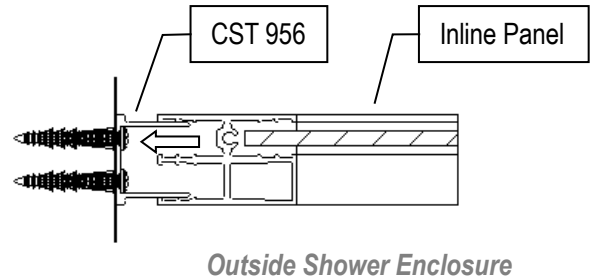
- Set the Door Panel Wall Jamb CST 993 into the Sill CST 998 and up against the wall on the Door side.
- While holding the Wall Jamb plumb with a level, use the pre-drilled holes in the Jamb to pencil mark (6) hole locations on the wall.
- Remove the Jamb and drill installation holes using 3/16" masonry bit. Insert Plastic Screw Anchors 1329 into the holes.
- Secure the Wall Jamb in place using (6) Installation Screws 6-8114PHP (#6 Head - #8 x 1-1/14" Pan Head Philips).



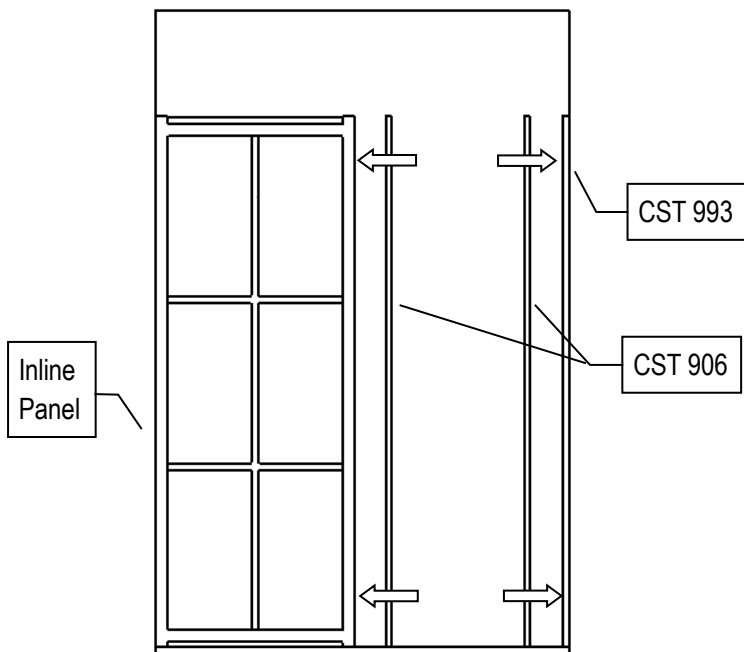
**STEP 5. SET INLINE PANEL**



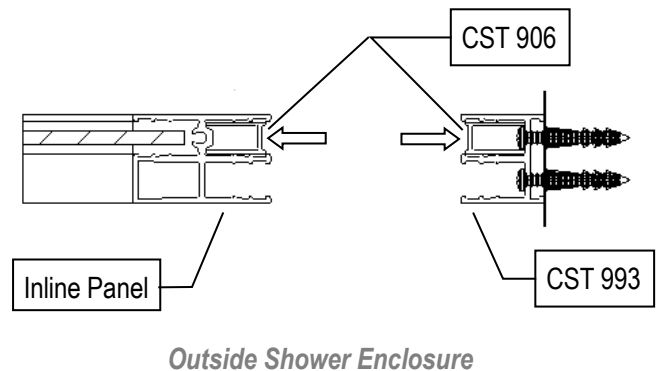
- Set the Inline Panel into the Sill CST 998 and push it onto the Wall Jamb CST 956 until the Panel is tight against the Jamb. Metal grid is to the outside.



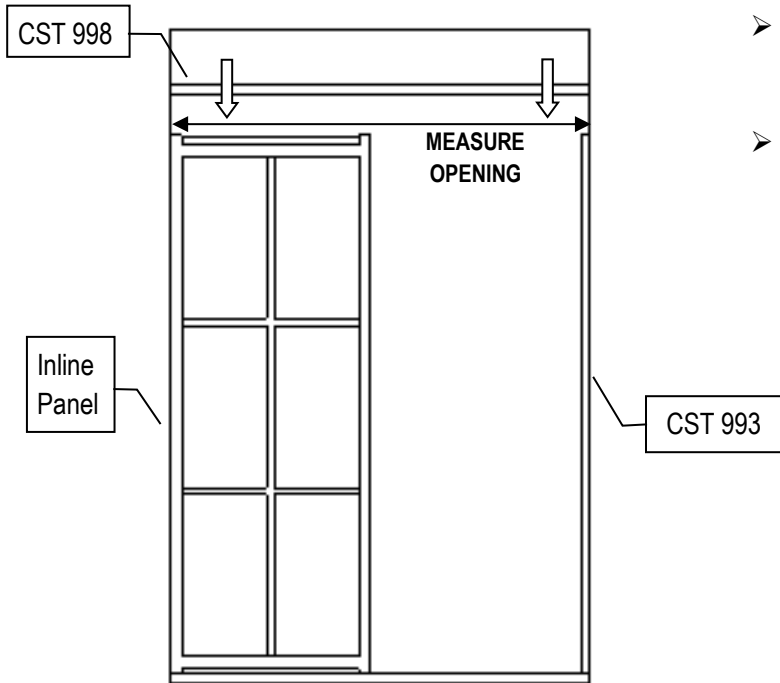
**STEP 6. INSERT INLINE PANEL COVER AND DOOR JAMB COVER**



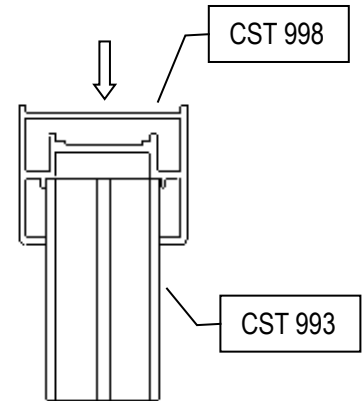
- Insert (1) Inline / Door Jamb Cover CST 906 into the open edge of the Inline Panel and (1) Cover CST 906 into the Door Panel Wall Jamb CST 993.
- The Cover inserts into the channel towards the inside of the shower enclosure.



**STEP 7. TRIM AND INSTALL HEADER**

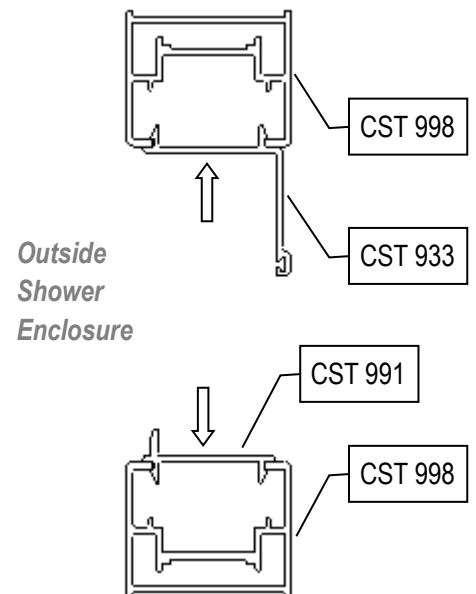
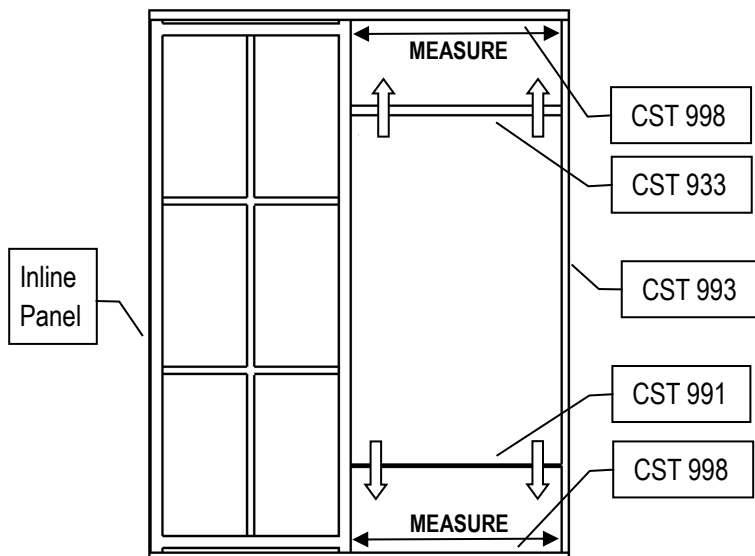


- Measure the shower opening above the top of the Door Panel Wall Jamb CST 956 and the Inline Panel. Trim the Header CST 998 (no weep holes) to fit.
- Set the Header over the Inline Panel and Door Jamb.

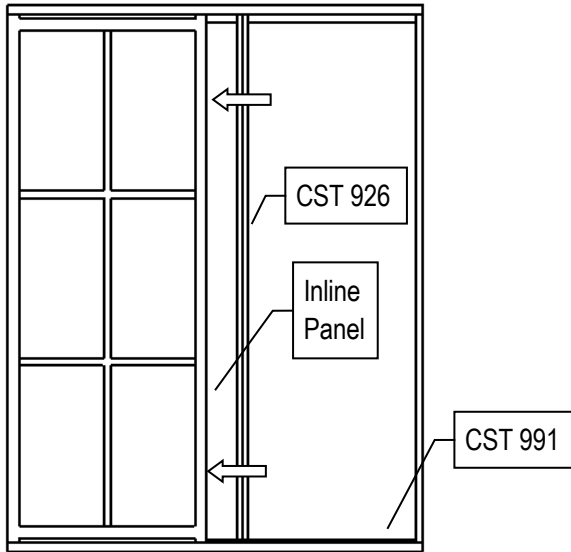


**STEP 8. TRIM AND INSTALL HEADER COVER AND SILL COVER**

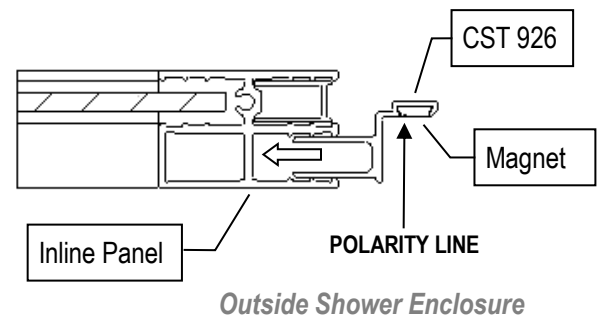
- Measure between the Door Panel Wall Jamb CST 993 and the Inline Panel at the Header CST 998. Trim the Header Cover CST 933 to the measurement obtained.
- Snap the Header Cover into the Header with the flange toward the inside of the enclosure.
- Measure between the Door Jamb CST 993 and Inline Panel at the Sill CST 998. Trim the Sill Cover Dam CST 991 to the measurement obtained.
- Snap the Sill Cover into the Sill with the lip toward the outside of the enclosure.



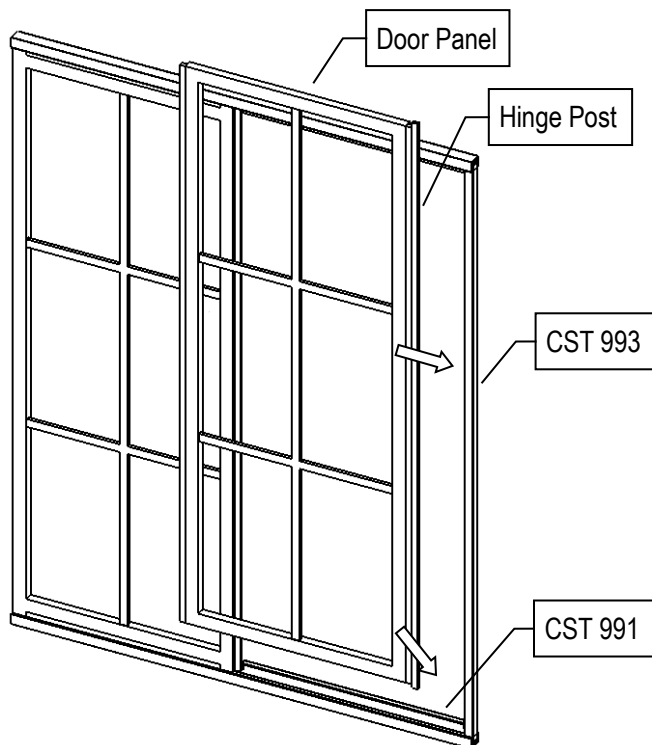
**STEP 9. INSTALL STRIKE POST**



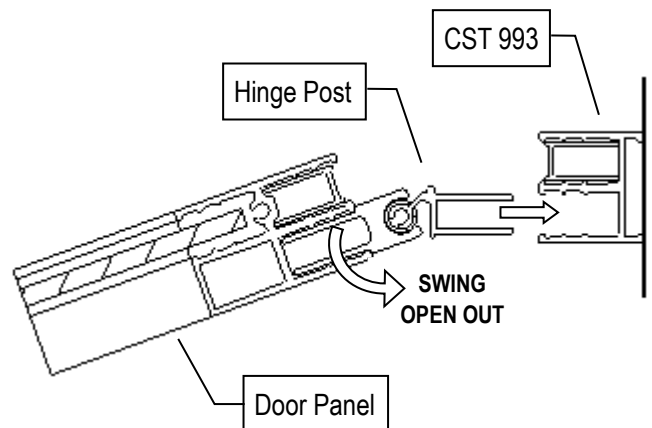
- Insert the Strike Post CST 926 opposite the Door Hinge location, into the outside channel of the Inline Panel vertical stile or the Door Panel Wall Jamb CST 993.
- Insert the Strike Post with the Magnet 98-42 facing to the outside of the enclosure and the polarity line away from the door opening.
- The Strike Post sits on top of the Sill Dam CST 991, and the Header Cover CST 933 sits on top of the Strike Post.



**STEP 10. INSTALL DOOR PANEL**

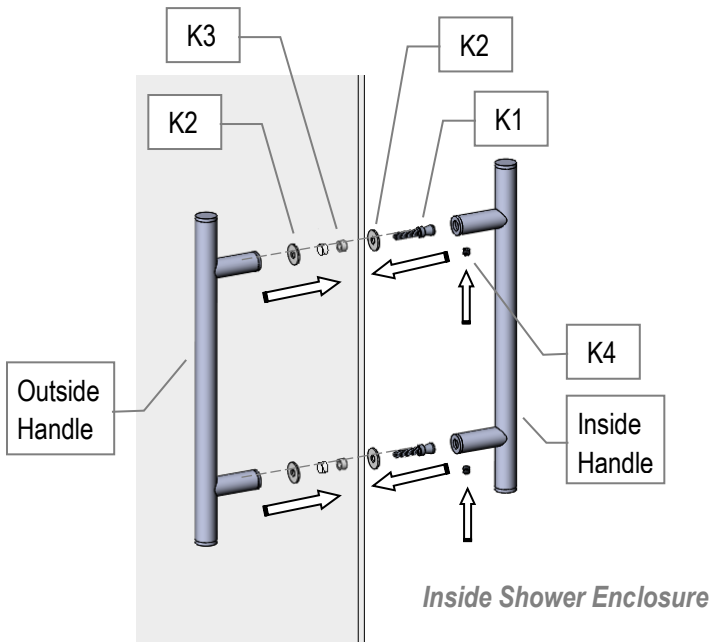


- As per the Door Hinge location, insert the Door Panel Hinge Post into the outside channel of the Door Panel Wall Jamb CST 993 or the Inline Panel vertical stile.
- Insert with the Door Panel swinging open to the outside of the enclosure and the metal grid to the outside.
- The Door Hinge Post sits on top of the Sill Dam CST 991.





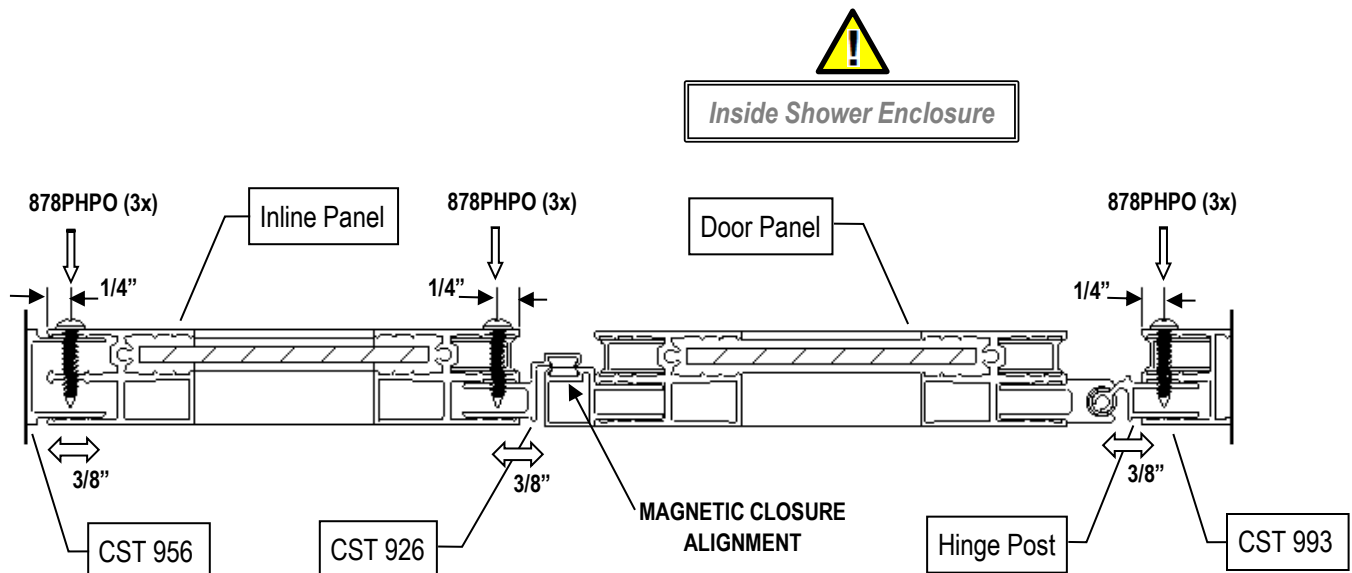
**STEP 11. INSTALL DOOR HANDLE**



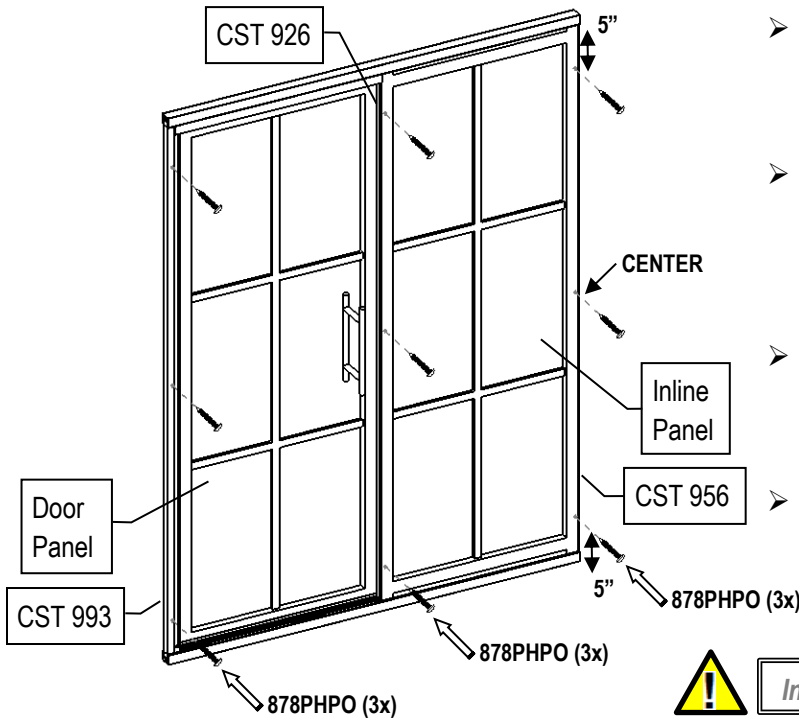
- Locate existing holes for the Handle on the Door Panel.
- Loosen Set Screws (K4) and separate the inside Handle.
- Remove Screws (K1) from the outside Handle.
- Slip a Washer (K2) and Bushing (K3) onto each Screw (K1).
- Insert a Screw (K1) through the upper hole in the Door from inside the enclosure. Slip a second Washer (K2) onto the Screw (K1).
- Tighten the Screw (K1) to the outside Handle. Repeat for the second Screw (K1).
- Take the inside Handle and insert it over the cone head Screws (K1). Tighten the two Set Screws (K4).

**STEP 12. CHECK DOOR OPERATION AND SECURE PANELS**

- Open and close the Door Panel to make sure it is operating properly. Check for the correct clearance between the Door Panel Strike and the Strike Post CST 926 for proper magnetic closure alignment.
- Adjust the unit along the curb by telescoping the Strike Post and the Door Hinge Post in or out of the Inline Panel and the Door Jamb CST 993 as necessary. Hinge and Strike each allow maximum 3/8" adjustment out.
- The Inline Panel has maximum 3/8" adjustment out on the Wall Jamb CST 956. Trim the Header Cover CST 933 and Sill Cover 991 as needed.
- When satisfied with unit operation, secure Panels from inside the enclosure with Panel Adjustment Screws 878PHPO.



**STEP 12. SECURE PANELS (CONTINUED)**

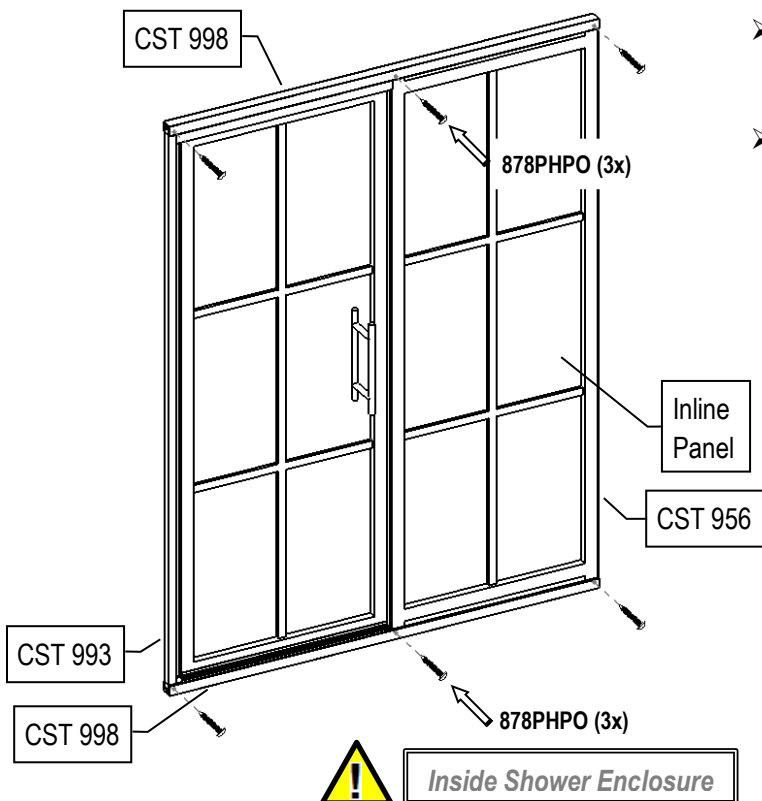


- Secure Panels from inside the enclosure with Panel Adjustment Screws 878PHPO (#8 x 7/8" Pan Head Philips (Black Head)). Drill 9/64" pilot holes 7/8" deep at each Adjustment Screw location.
- Secure the Inline Panel to the Inline Panel Wall Jamb CST 956 with (3) Adjustment Screws at top, middle and bottom. Locate Screws at 1/4" from the edge of the Panel. Place Screws at 5" from the top and bottom of the Panel.
- Secure the Door Hinge with (3) Adjustment Screws at top, middle and bottom. Locate Screws at 1/4" from the edge of the Door Panel Wall Jamb CST 993. Place Screws at 5" from the top and bottom of the Hinge.
- Secure the Strike Post CST 926 with (3) Adjustment Screws at top, middle and bottom. Locate Screws at 1/4" from the edge of the Inline Panel. Place Screws at 5" from the top and bottom of the Strike Post.

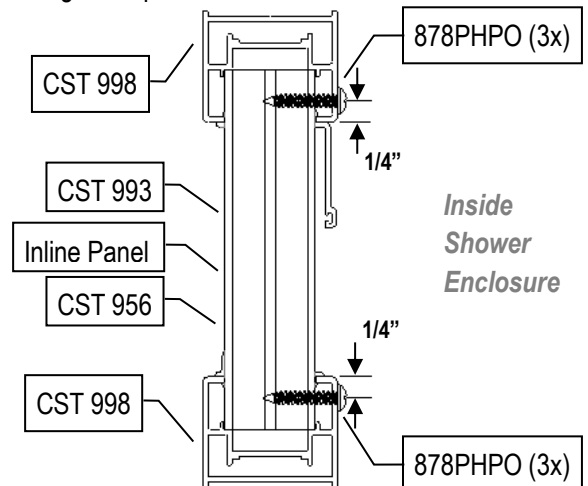


*Inside Shower Enclosure*

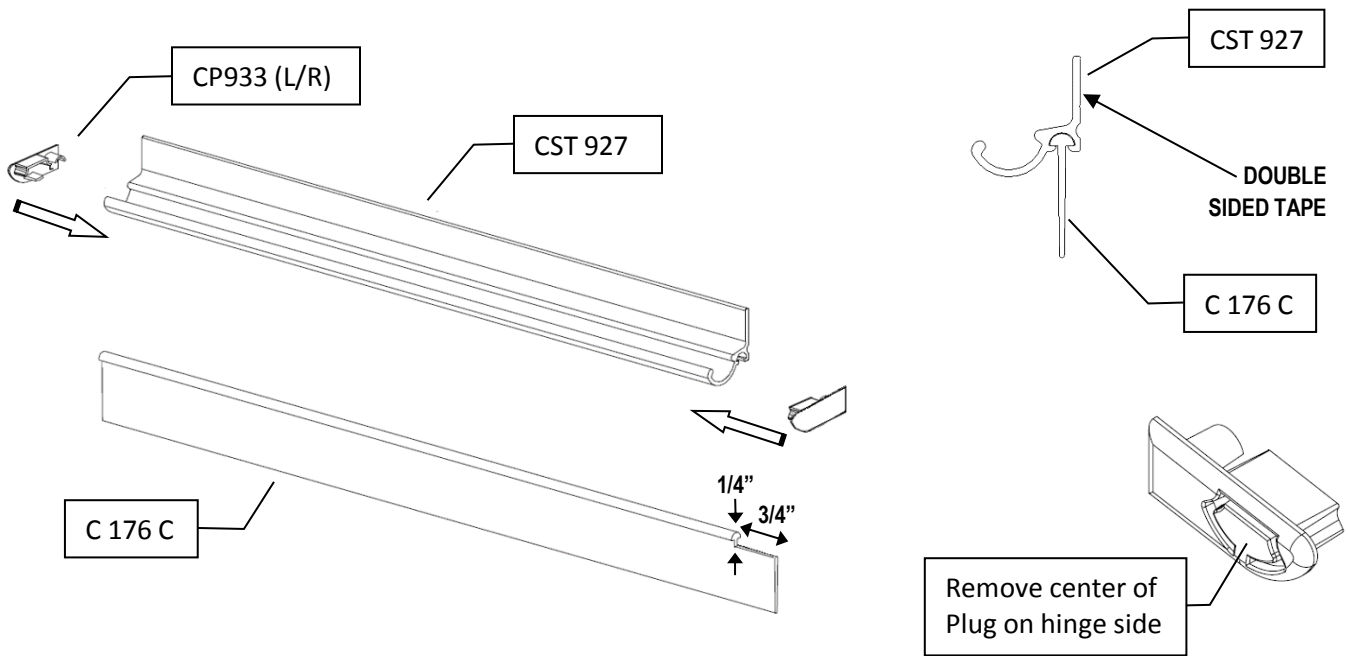
**STEP 13. SECURE HEADER AND SILL**



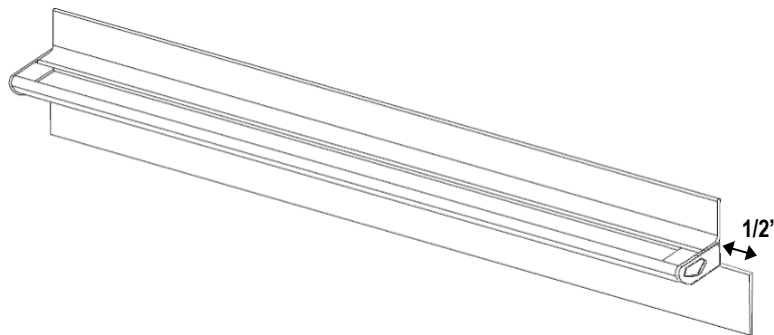
- Secure Header and Sill CST 998 from inside the enclosure with Panel Adjustment Screws 878PHPO. Drill 9/64" pilot holes 7/8" deep at each Adjustment Screw location.
- Secure the Header and Sill to the Wall Jamb CST 956 and CST 993 at each end, and to the Inline Panel vertical stile at center. Locate Screws at 1/4" from the edge of the Header and Sill. Place screws 1/4" horizontally from stile edges to align with panel screws.



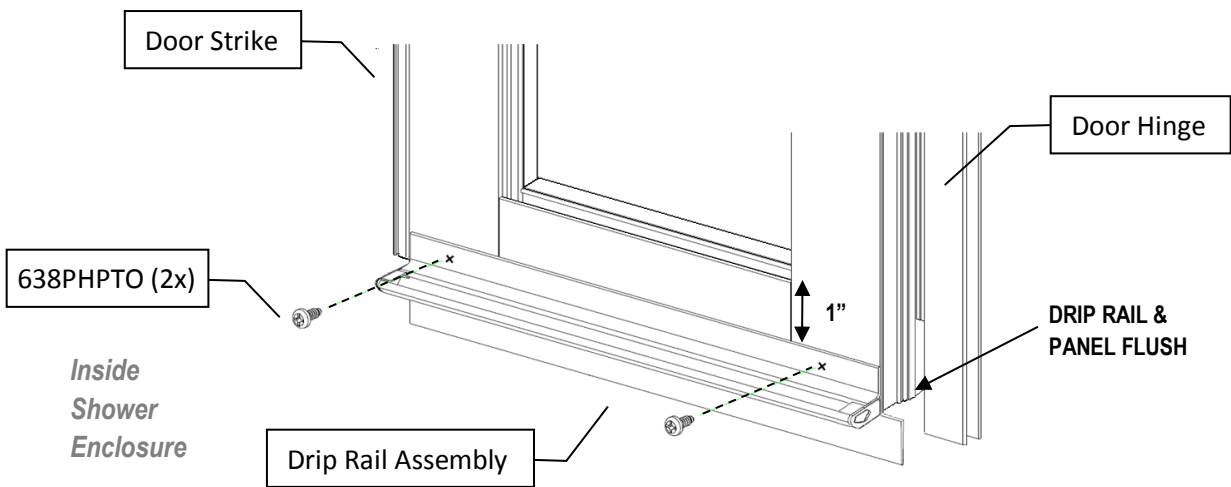
**STEP 14. PREPARE DRIP RAIL ASSEMBLY**



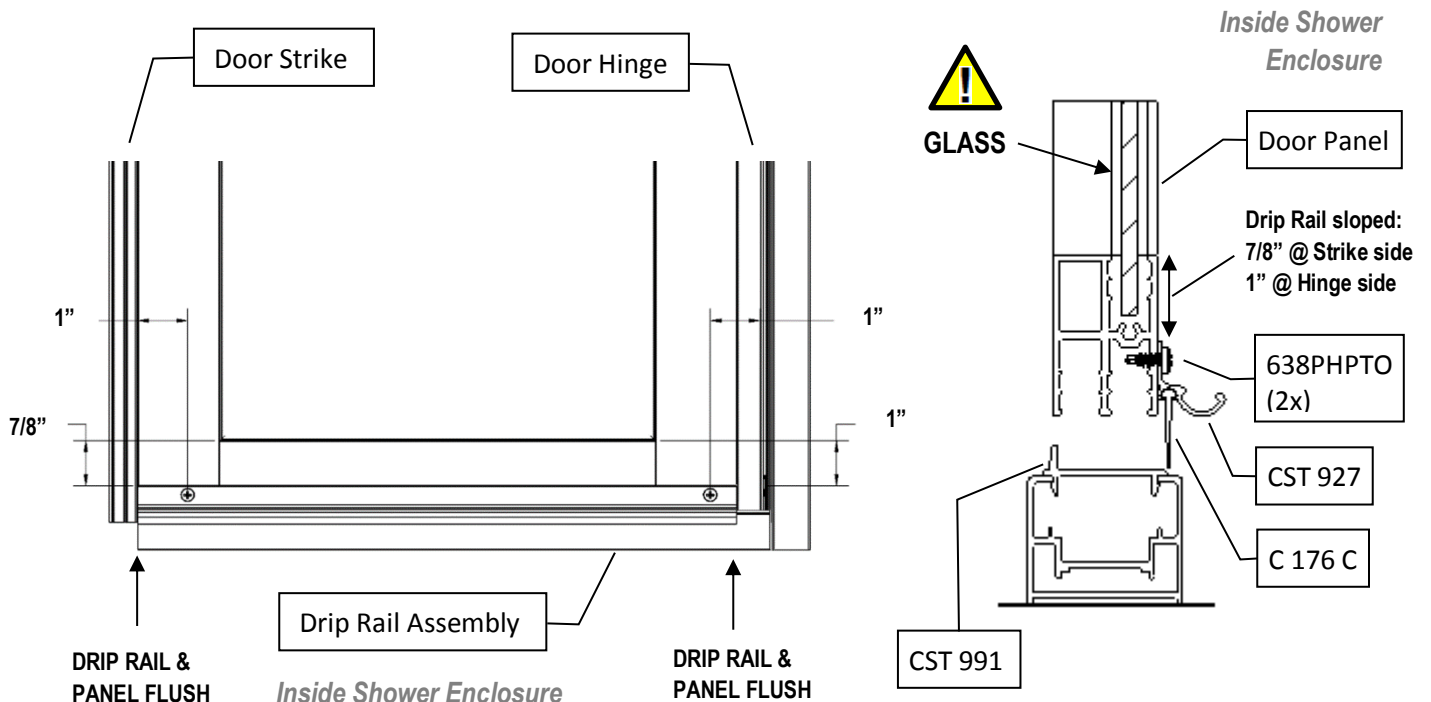
- Notch the Vinyl Sweep C 176 C on one end (hinge side) 3/4" x 1/4" as shown.
- Insert the Sweep into the channel at the bottom of the Drip Rail CST 927 with the notched end on the hinge side. Pull the Sweep through until 1" extends from the Drip Rail on the hinge side. Trim the excess on the strike side.
- Insert the left / right Drip Rail Plug CP933 into each end of the Drip Rail.
- On the hinge side punch out the center of the Plug to allow water to escape.



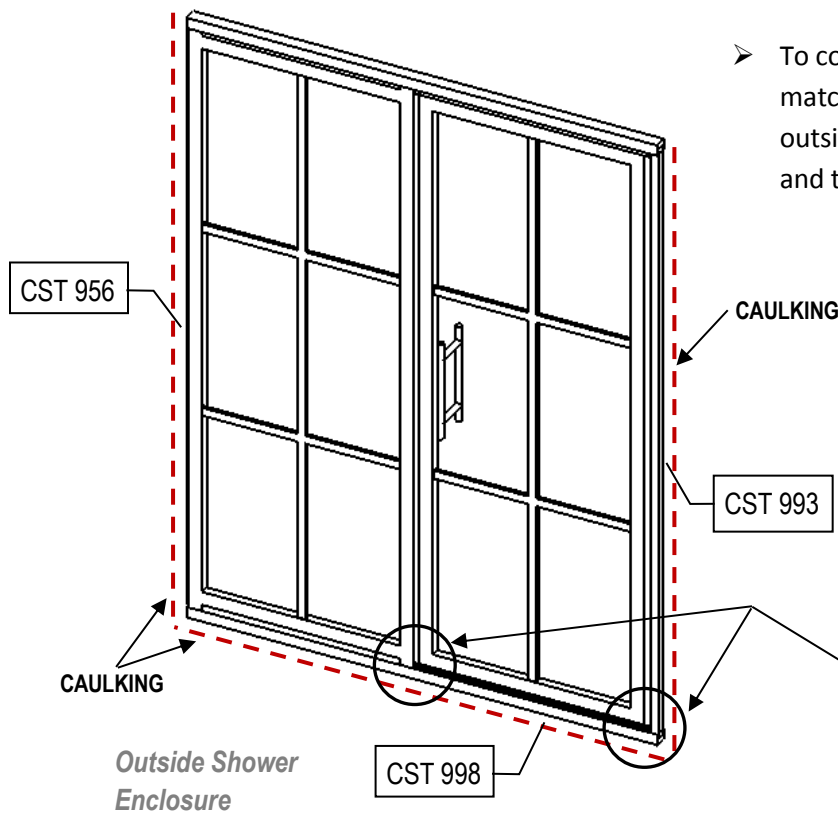
**STEP 15. INSTALL DRIP RAIL ASSEMBLY**



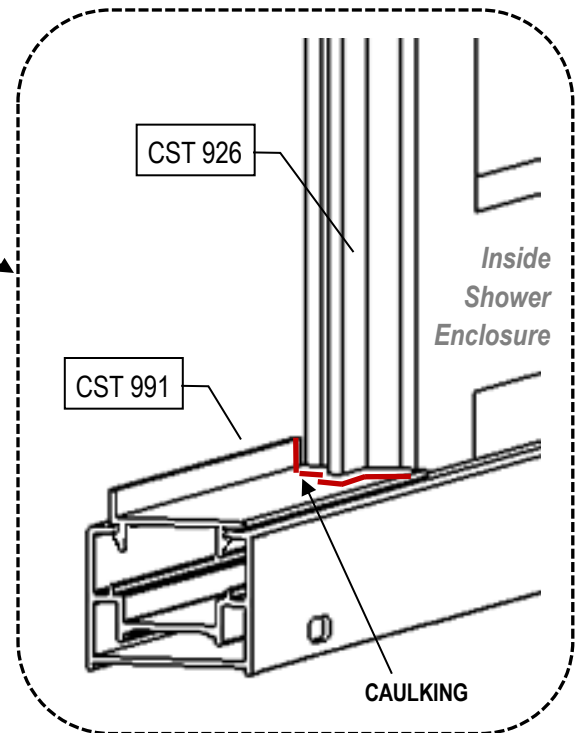
- Remove the backing from the tape on the Drip Rail CST 927. Position the Drip Rail flush with the edge of the Door Panel on the Hinge side.
- Adjust the height of the Drip Rail to 1" down from the top of the bottom horizontal rail. The Vinyl Sweep C 176 C will touch the Sill Cover Dam CST 991 to prevent splash to outside of enclosure.
- Angle the Drip Rail up at the Door Strike to create a slope of minimum 1/8" down towards the Hinge for drainage.
- Check for interference between the Sweep and the unit by opening and closing the Door. Trim and adjust as necessary.
- When satisfied, secure the Drip Rail to the Door panel using a self-drilling Drip Rail Screw 638PHPTO at each end. (#6 x 3/8" Pan Head Philips Tek's screw (Black Head))



**STEP 16. SEAL UNIT EXTERIOR**



- To complete the installation, run a bead of clear (or matching color) mildew resistant caulking around the outside perimeter of the shower at the Sill CST 998 and the Wall Jamb's CST 956 and CST 993.



- Caulk the crevices where the Strike Post CST 926 and Door Hinge meet the Sill Cover Dam CST 991.
- Follow the caulking manufacturer's instructions before using the shower.