

PREPARATION

Approximate Installation Time: 30 minutes

Tools Required for Installation:

- Chop Saw or Hacksaw
- Electric Drill
- 3/16" Masonry Drill Bit
- 9/64" Metal Drill Bit
- Philips Bit
- Pencil / Felt Tip Pen
- Safety Glasses
- Measuring Tape
- Masking Tape
- Level
- Rubber Mallet
- Clear Caulking or Sealant

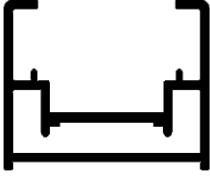


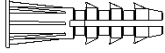

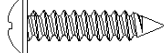
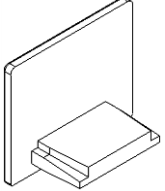
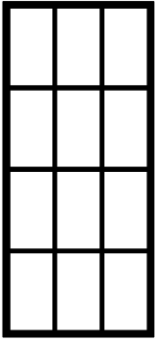
QUESTIONS



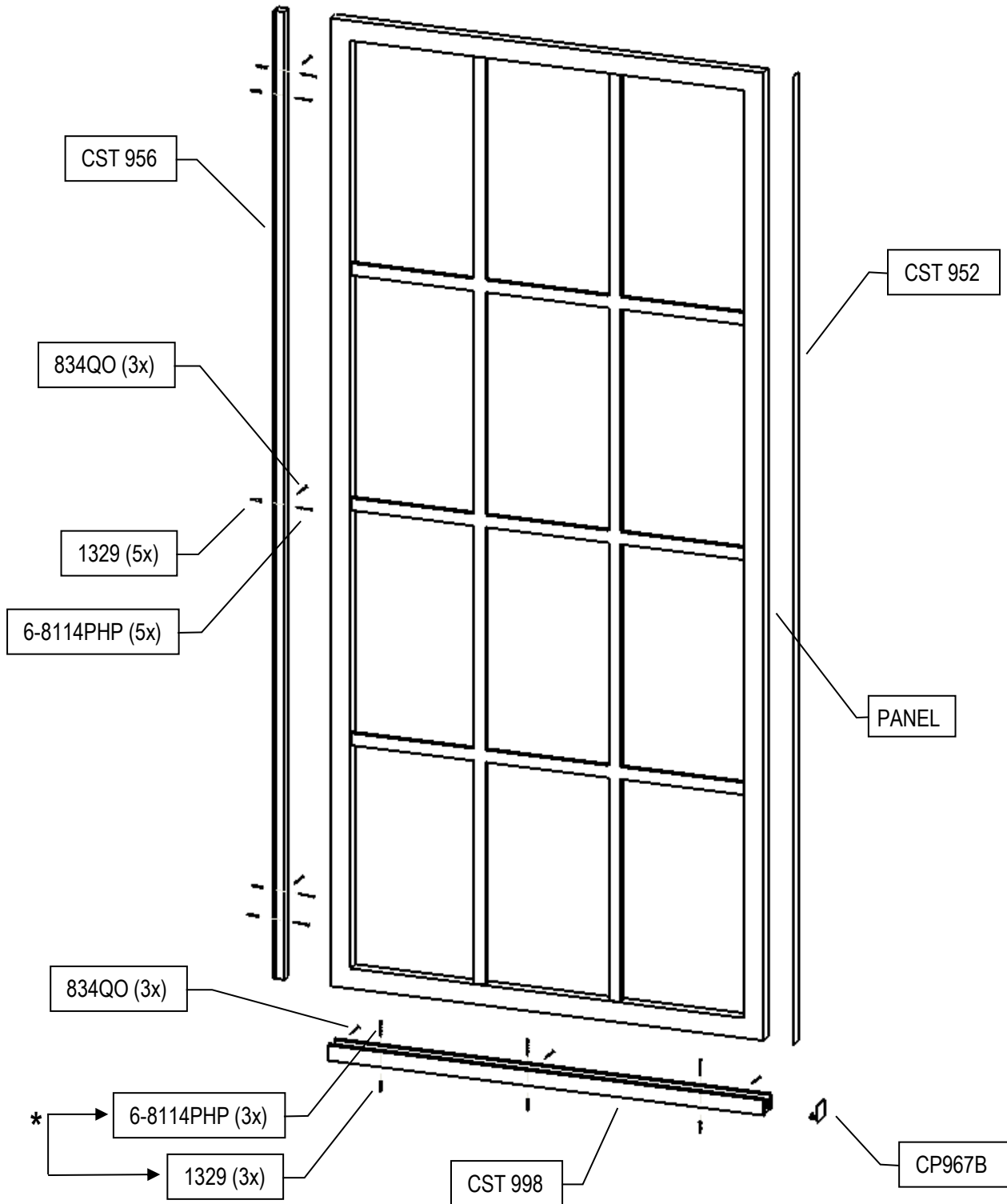
Before beginning installation of product, make sure all parts are present. Compare parts with package contents list and diagram below. Grid appearance may differ from images shown. If any part is missing or damaged, do not attempt to install the product.

Please call our customer service department at 1-800-874-8601, 8 am - 5 pm EST, Monday to Friday.

PACKAGE CONTENTS

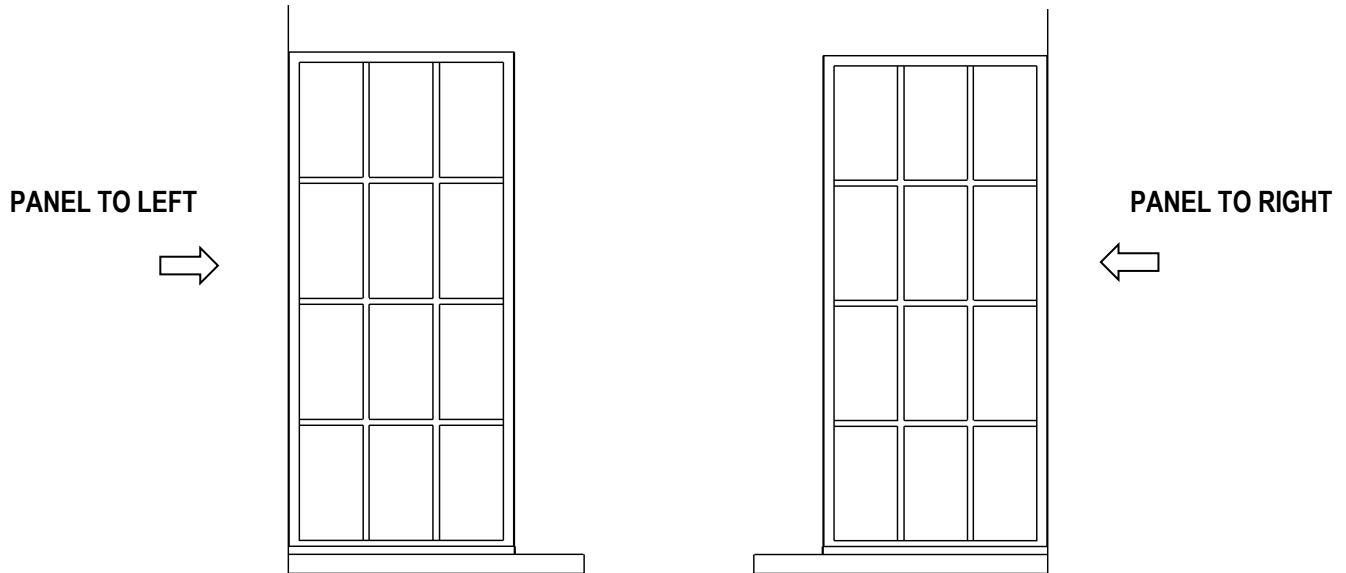
	CST 998	Sill	1
	CST 956	Wall Jamb	1
	CST 952	Panel Snap Cover	1
	1329	Plastic Screw Anchor	8
	6-8114PHP	Installation Screw (#8 x 1-1/4")	8
	834QO	Panel Adjustment Screw (#8 x 3/4")	6
	CP967B	Sill End Cap	1
	-	Panel Assembly	1

GRIDSCAPE FIXED PANEL
INSTALLATION INSTRUCTIONS – FULL DIVIDED-LIGHT

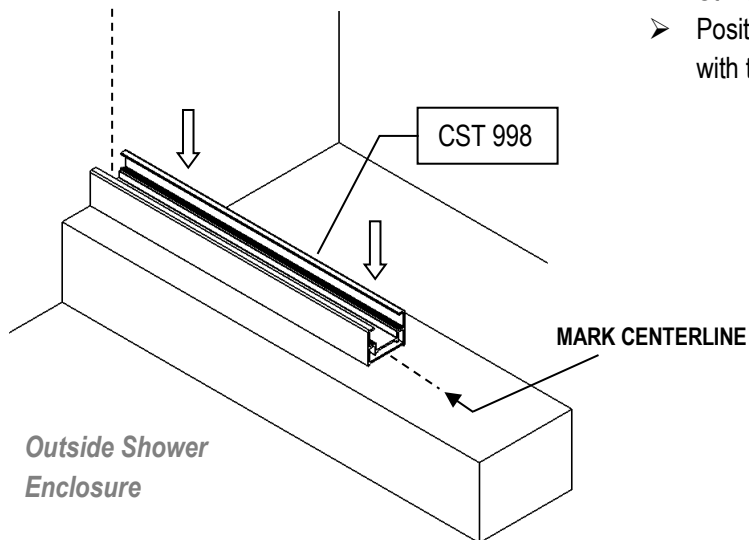


* Note: Securing Sill CST 998 to curb / floor with screws is optional.

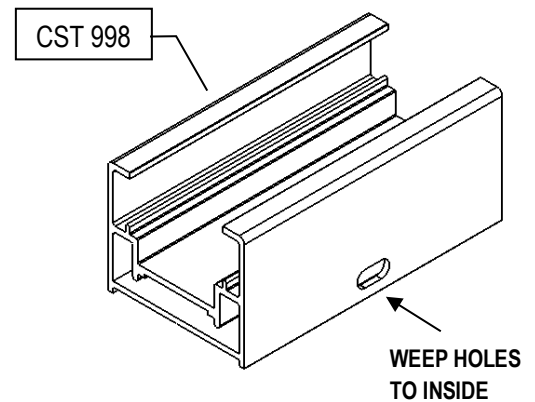
STEP 1. IDENTIFY PANEL LOCATION AT LEFT OR RIGHT



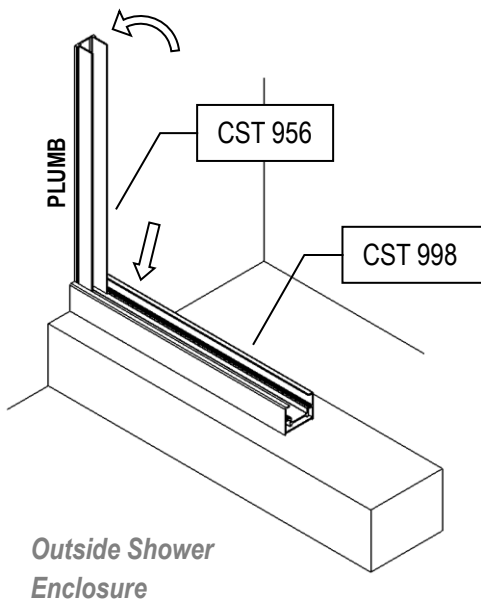
STEP 2. MARK CENTERLINE AND POSITION SILL ON CURB



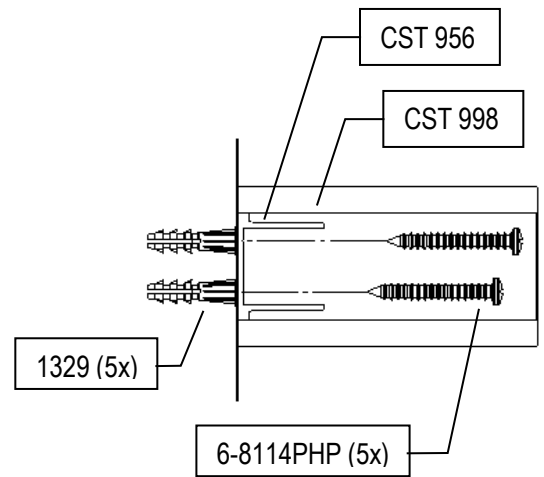
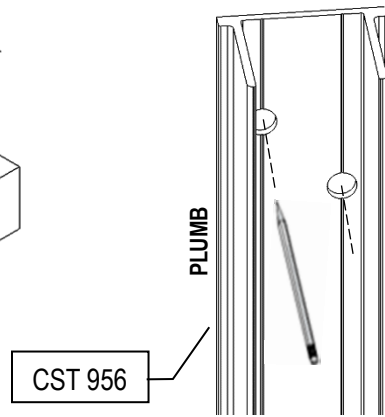
- Strike a centerline on the curb where the unit will sit.
- Position the **Sill CST 998** on the centerline against the wall with the weep holes to the interior. Temporarily tape in place.



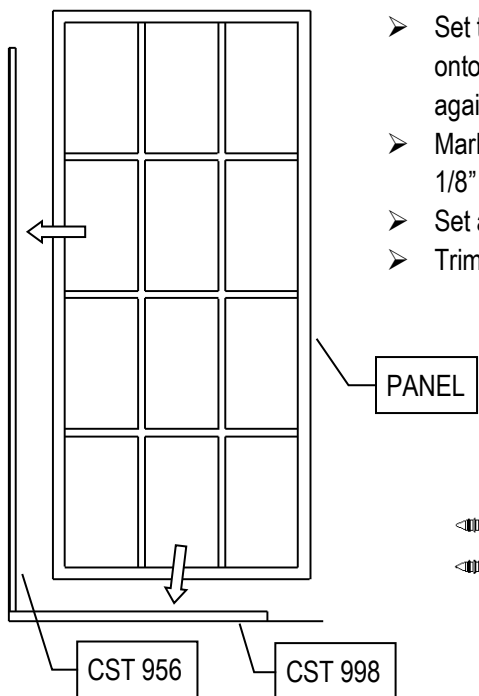
STEP 3. INSTALL WALL JAMB



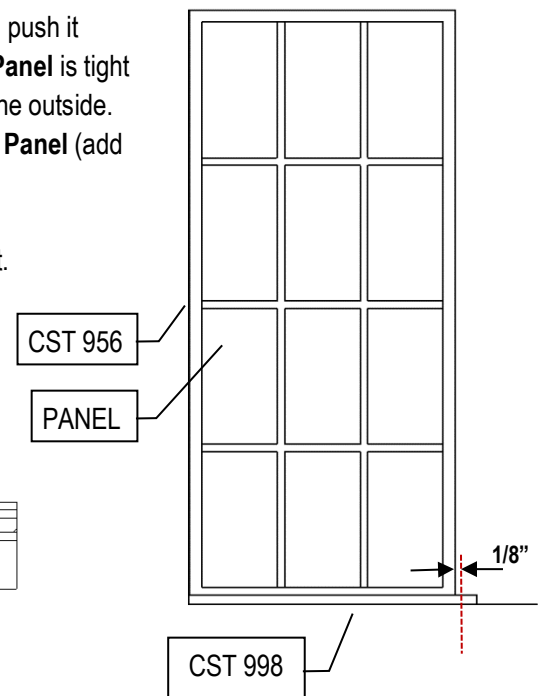
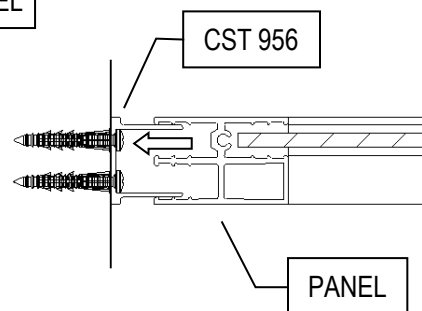
- Set the **Wall Jamb CST 956** into the **Sill CST 998** and up against the wall.
- While holding the **Jamb** plumb with a level, use the pre-drilled holes in the **Jamb** to pencil mark (5) hole locations on the wall.
- Remove the **Jamb** and drill installation holes 1-1/2" deep using a 3/16" masonry bit. Insert **Plastic Screw Anchors 1329** into the holes.
- Secure the **Jamb** in place using (5) **Installation Screws 6-8114PHP** (#6 Head - #8 x 1-1/4" Pan Head Philips).



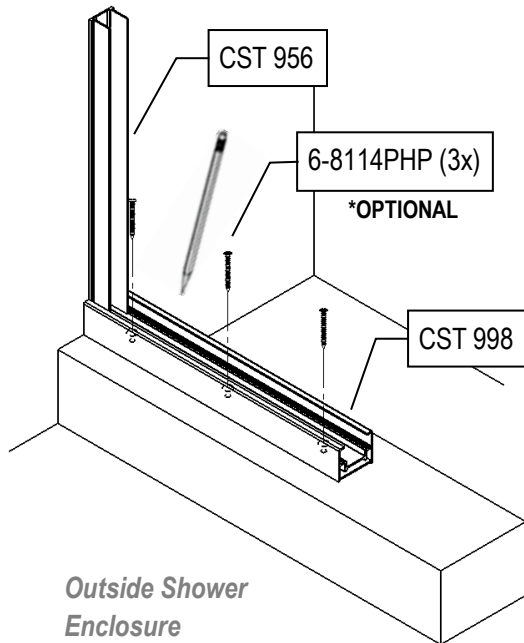
STEP 4. SET PANEL AND TRIM SILL



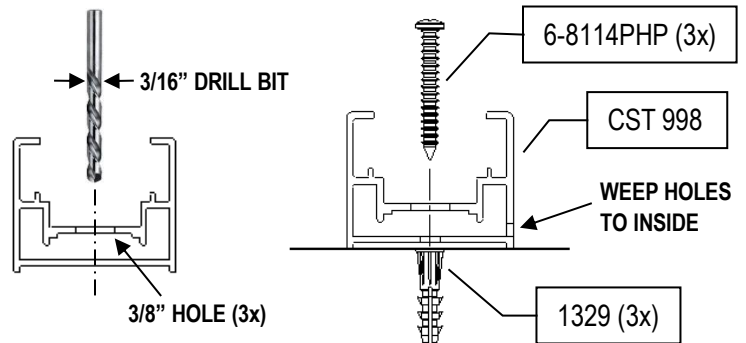
- Set the **Panel** into the **Sill CST 998** and push it onto the **Wall Jamb CST 956** until the **Panel** is tight against the **Jamb**. The metal grid is to the outside.
- Mark the **Sill** at 1/8" from the end of the **Panel** (add 1/8" for the **Snap Cover CST 952**).
- Set aside the **Panel**.
- Trim the **Sill** to the mark / measurement.



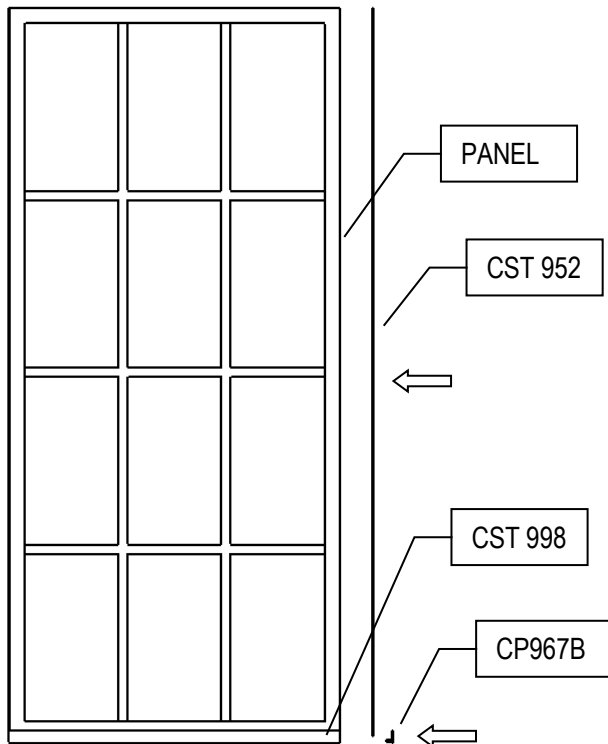
STEP 5. SET SILL AND * SECURE TO CURB (*OPTIONAL)



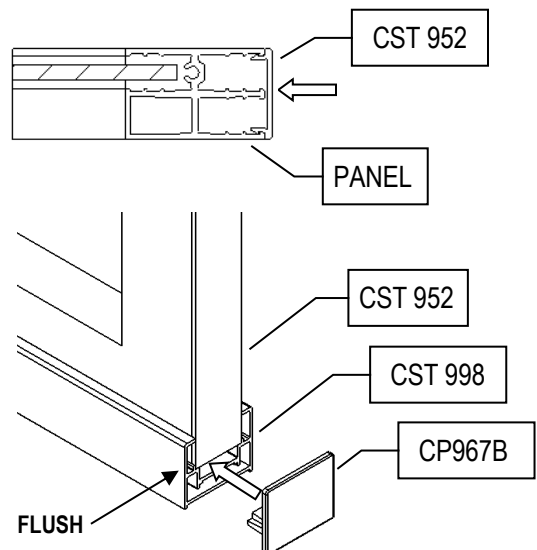
- Place the **Sill CST 998** on the curb centerline with weep holes to the inside of the enclosure. Push the **Sill** against the wall under the **Wall Jamb CST 956**.
- **OPTIONAL:** Secure **Sill** to curb with **Screws**.
- Drill 3/16" holes through the **Sill** at (3) pre-drilled 3/8" holes in the **Sill**.
- Drill 3/16" holes 1-1/2" deep into the curb at the (3) pre-drilled holes in the **Sill**.
- Insert **Plastic Screw Anchors 1329** into the holes.
- Secure the **Sill** using (3) **Installation Screws 6-8114PHP** (#8 x 1-1/4").



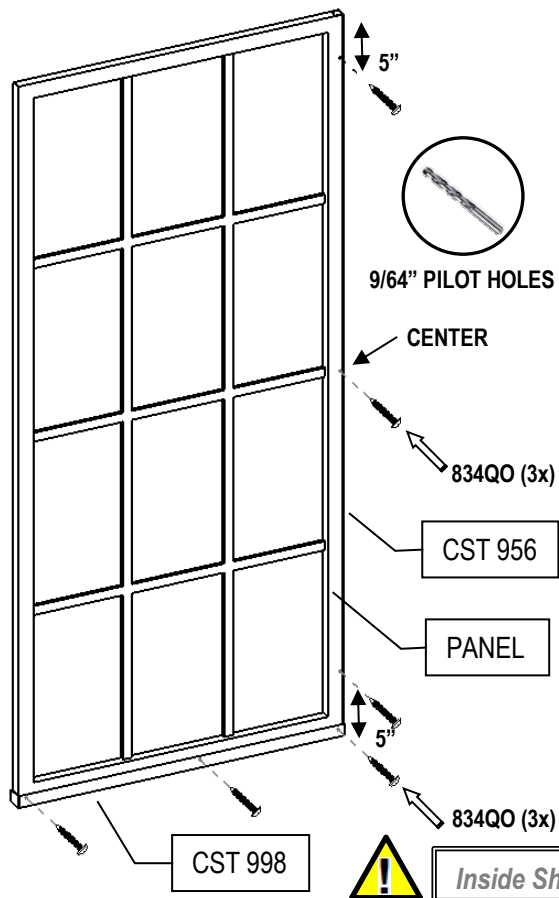
STEP 6. SET PANEL AND INSTALL COVER AND SILL CAP



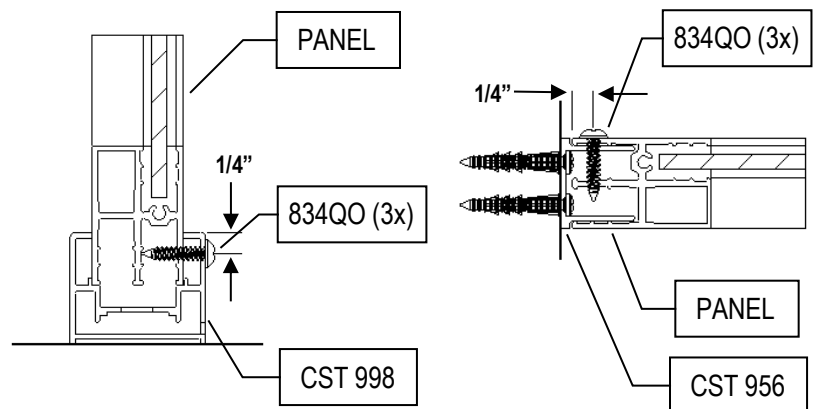
- Set the **Panel** into the **Sill CST 998** and push it onto the **Wall Jamb CST 956**. The metal grid is to the outside.
- Attach the **Panel Snap Cover CST 952** to the exposed vertical edge of the **Panel** using a rubber mallet.
- Adjust the **Panel** onto / off the **Jamb** until the **Snap Cover** is flush with the end of the **Sill**.
- Insert the **Sill End Cap CP967B** into the end of the **Sill**.



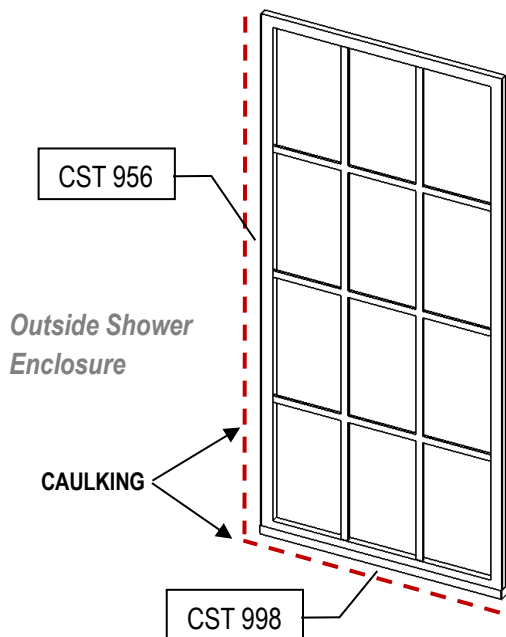
STEP 7. SECURE PANEL FROM INTERIOR



- Secure the **Panel** from the interior of the enclosure using **Panel Adjustment Screws 834QO** (#8 x 3/4" Pan Head Combo Drive (Black Head)). Drill 9/64" pilot holes 3/4" deep at each **Screw** location.
- Secure the **Panel** to the **Wall Jamb CST 956** with (3) **Screws** at top, middle and bottom. Locate **Screws** at 1/4" from the edge of the **Panel**. Place **Screws** at 5" from the top and bottom of the **Panel**.
- Secure the **Panel** to the **Sill CST 998** with (3) **Screws** at left, right, and center. Locate **Screws** at 1/4" from the edge of the **Sill**. Place **Screws** into the **Panel** outside vertical stiles at 1/2" from the left and right **Panel** edges.



STEP 8. SEAL UNIT EXTERIOR



- To complete the installation, run a bead of clear (or matching color) mildew resistant caulking around the outside perimeter of the shower at the **Sill CST 998** and the **Wall Jamb CST 956**.
- For a unit installed without screwing the **Sill** down to the curb, run a bead of silicone caulk on both the outside and inside of the **Sill**.
- **IMPORTANT:** Do not block the weep holes when caulking to the inside.
- Follow the caulking manufacturer's instructions before using the shower.

