

PREPARATION

Approximate Installation Time: 60 minutes

Tools Required for Installation:

- Chop Saw or Hacksaw
- Electric Drill
- 3/16" Masonry Drill Bit
- 9/64" Metal Drill Bit
- Philips Bit
- Pencil / Felt Tip Pen
- Safety Glasses
- Measuring Tape
- Masking Tape
- Standard Screw Driver
- Phillips Screw Driver
- Level
- Rubber Mallet
- Clear Caulking or Sealant

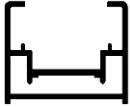
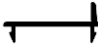
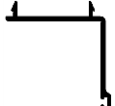
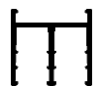




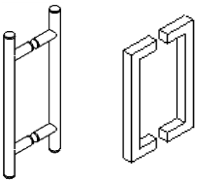


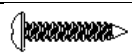

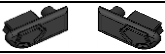
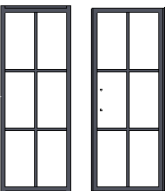
QUESTIONS

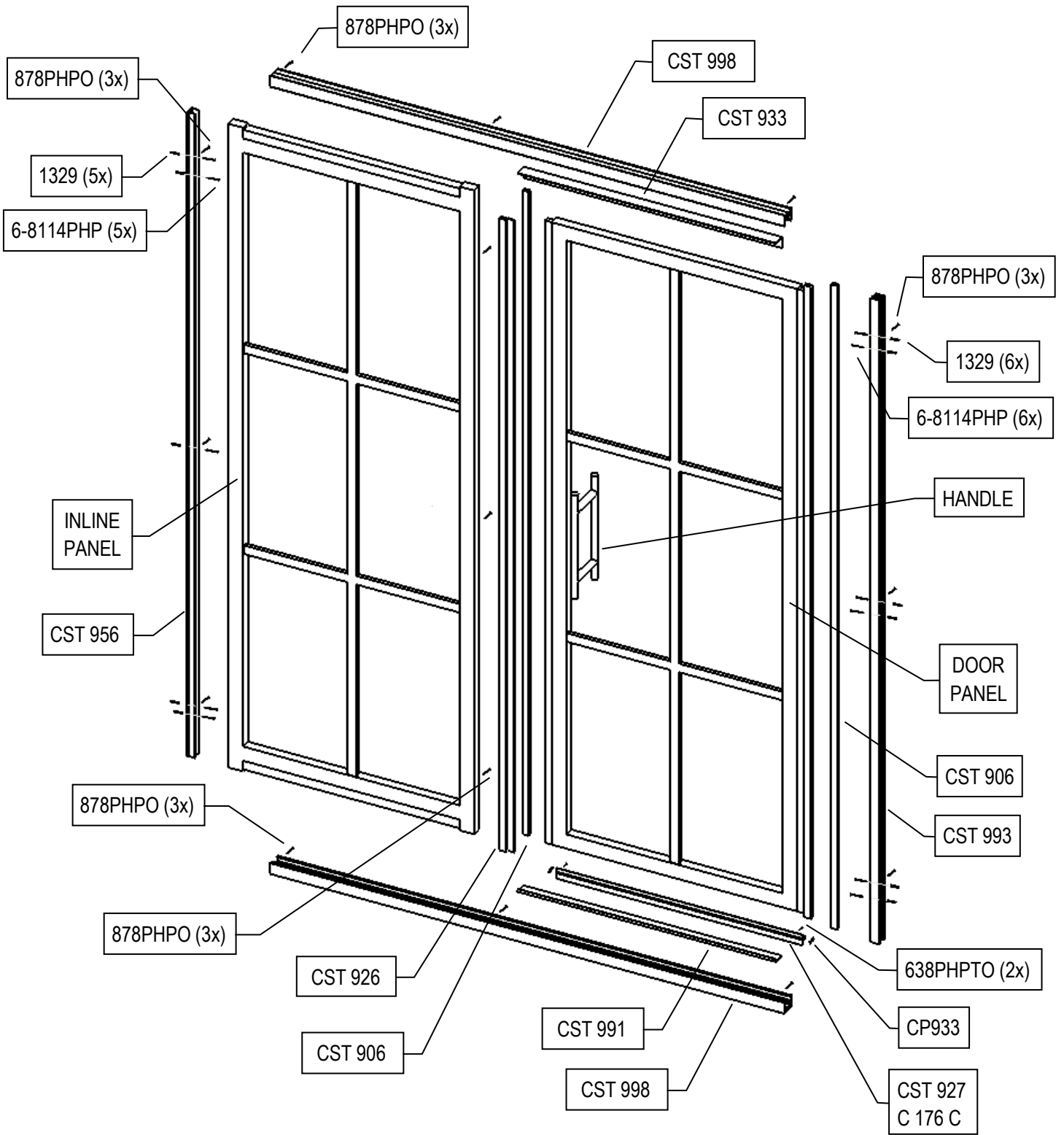


Before beginning installation of product, make sure all parts are present. Compare parts with package contents list and diagram below. Grid appearance may differ from images shown. If any part is missing or damaged, do not attempt to install the product.

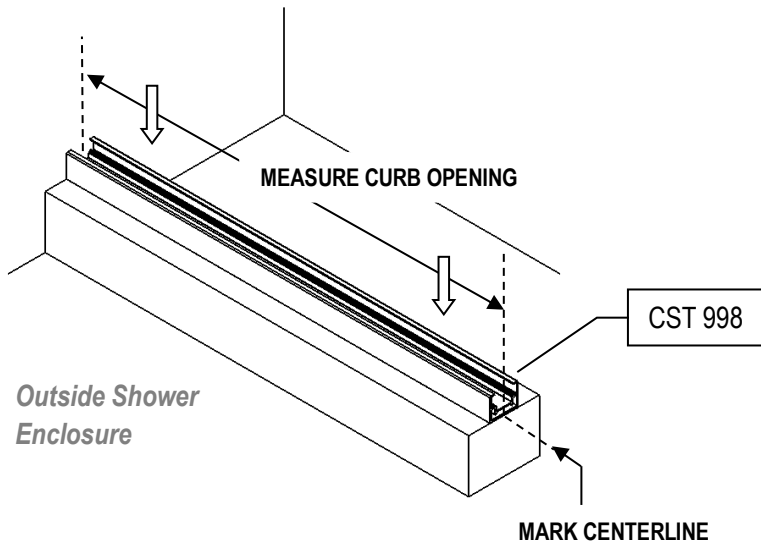
Please call our customer service department at 1-800-874-8601, 8 am - 5 pm EST, Monday to Friday.

PACKAGE CONTENTS

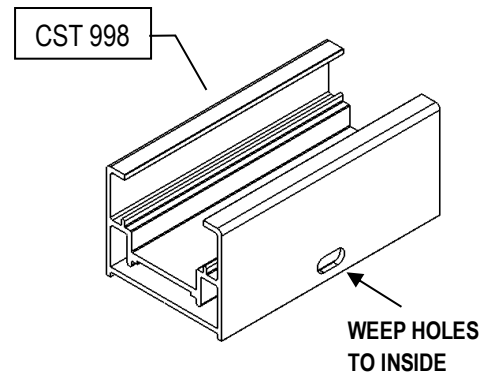
	CST 998	Sill / Header	2
	CST 991	Sill Cover Dam	1
	CST 933	Header Cover	1
	CST 993	Door Panel Wall Jamb	1
	CST 956	Inline Panel Wall Jamb	1
	CST 926	Strike Post with Magnet	1
	CST 906	Inline / Door Jamb Cover	2
	CST 927 & C 176 C	Drip Rail with Drip Sweep	1
	C-5313-80 or SQ8X80	8" Ladder Pull Back-to-Back Handle 8" Square Pull Back-to-Back Handle	1
	1329	Plastic Screw Anchor	11
	6-8114PHP	Installation Screw (#8 x 1-1/4")	11
	878PHPO	Panel Adjustment Screw (#8 x 7/8")	15
	638PHPTO	Drip Rail Screw (#6 x 3/8")	2
	CP933	Drip Rail Plug (Left / Right Set)	1
	-	Door Panel and Inline Panel Assemblies	2



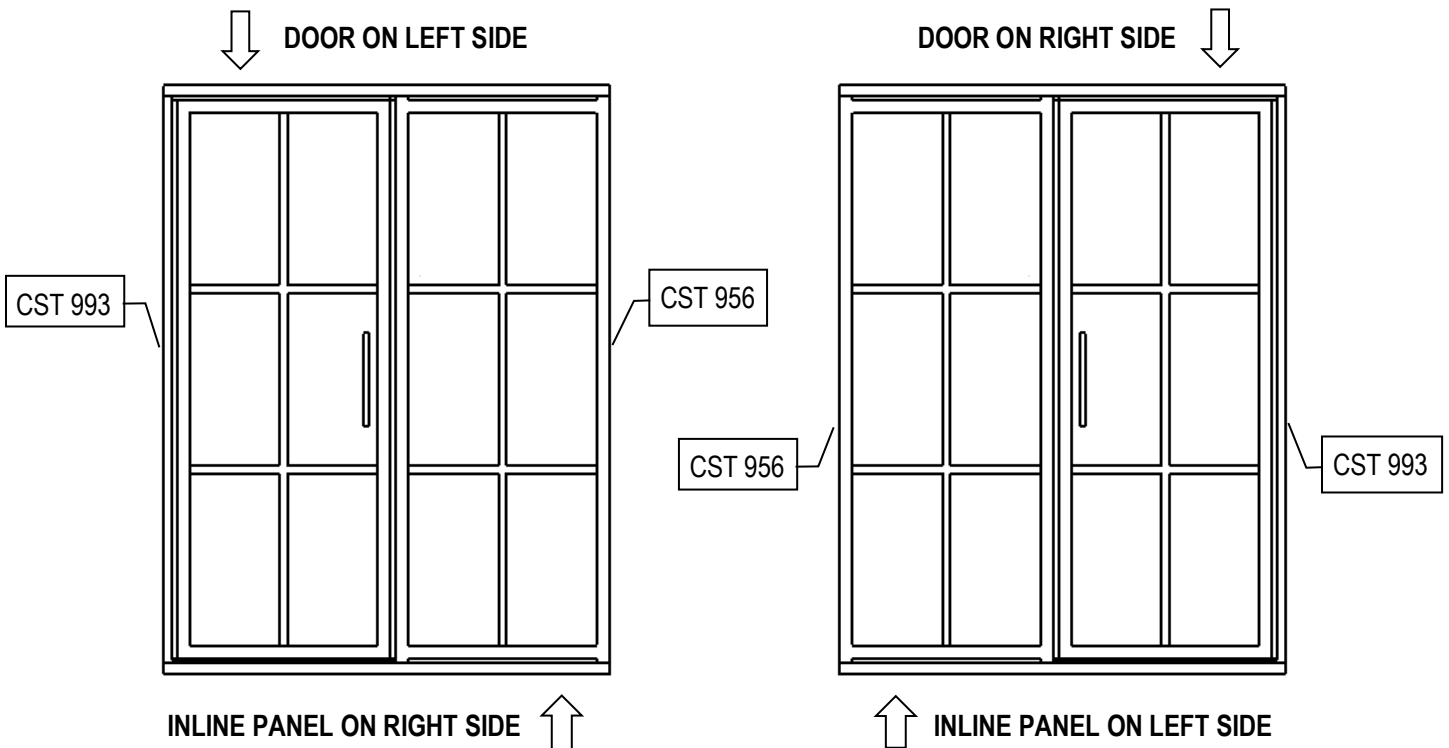
STEP 1. TRIM AND POSITION SILL ON CURB CENTERLINE



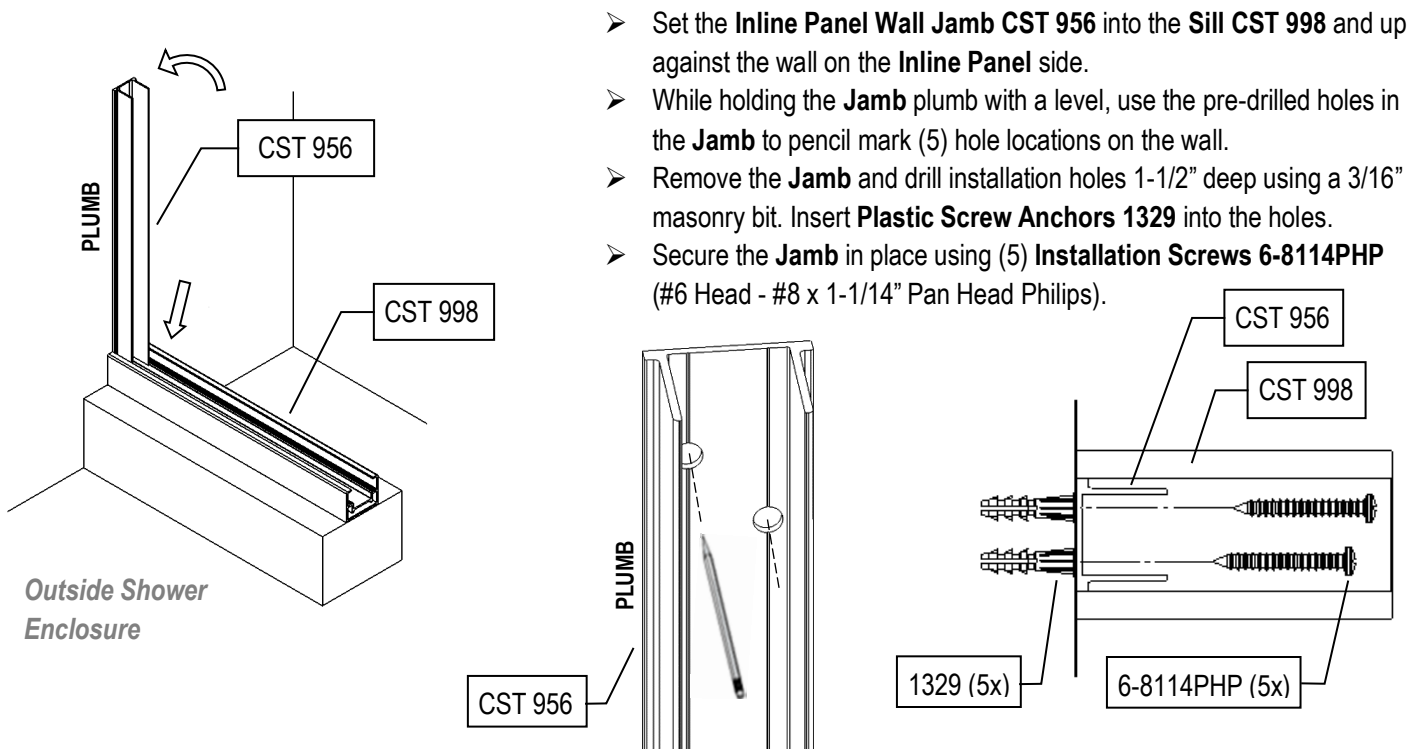
- Strike a centerline on the curb where the unit will sit.
- Measure the opening at the curb along the centerline. Trim the **Sill CST 998** (with weep holes) to fit.
- Position and center the **Sill** on the centerline with the weep holes to the inside of the shower enclosure. Temporarily tape in place to prevent movement.



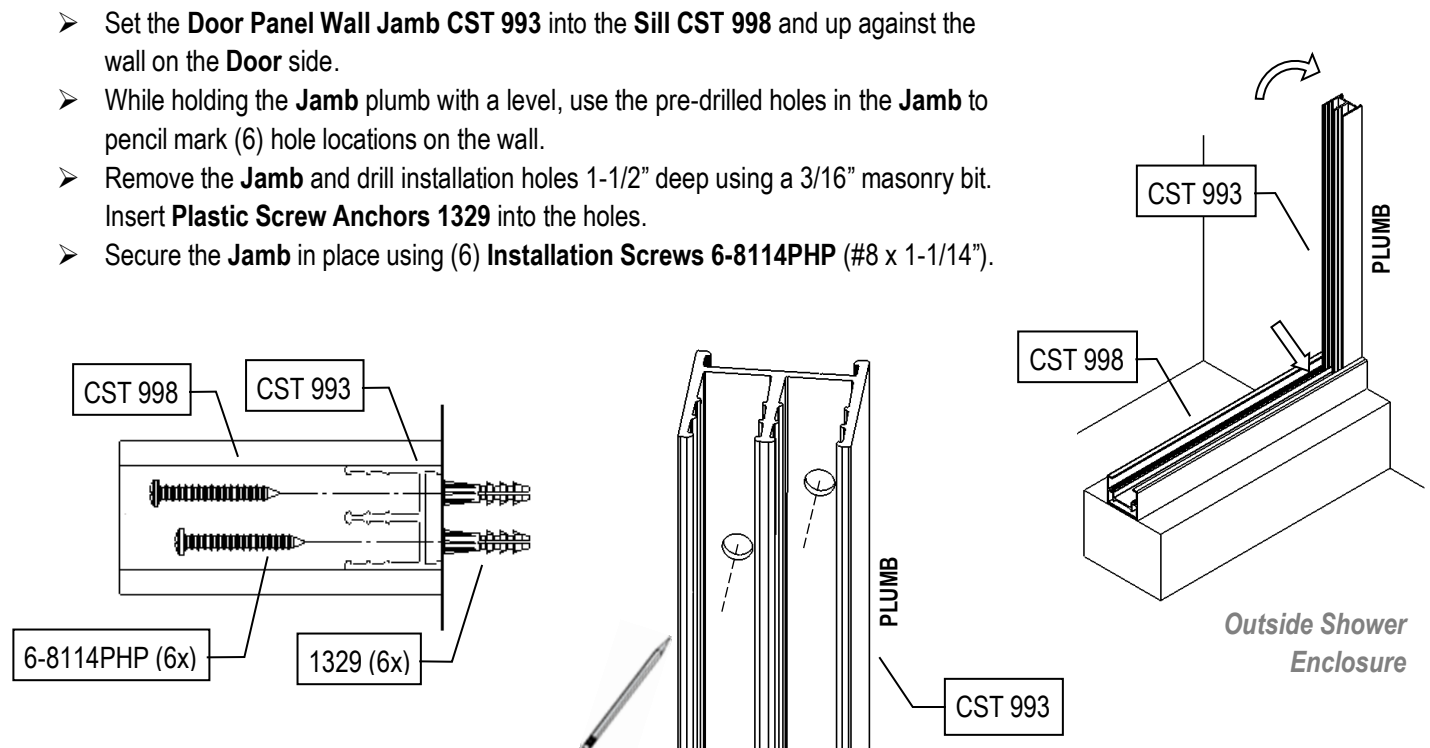
STEP 2. IDENTIFY DOOR AND INLINE PANEL LOCATION



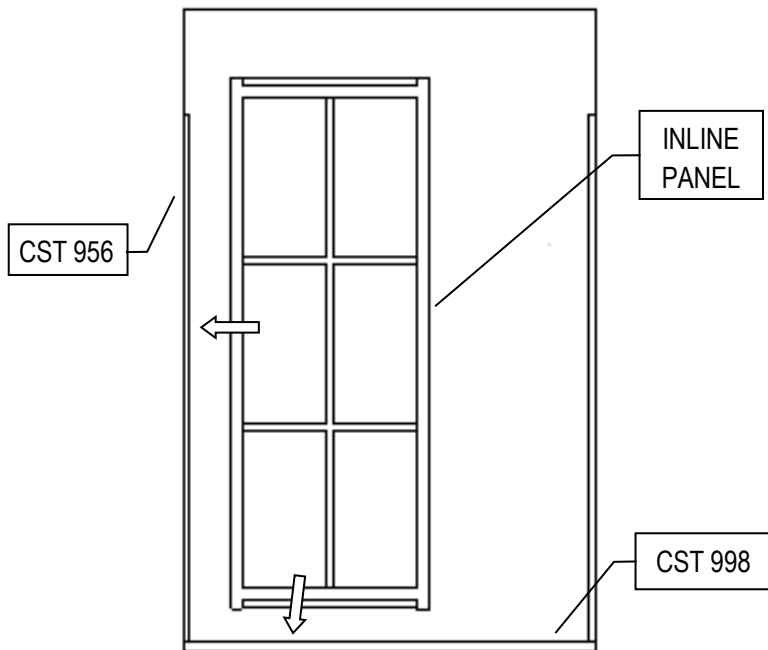
STEP 3. INSTALL INLINE PANEL WALL JAMB



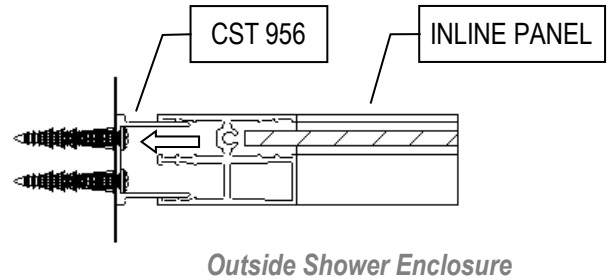
STEP 4. INSTALL DOOR PANEL WALL JAMB



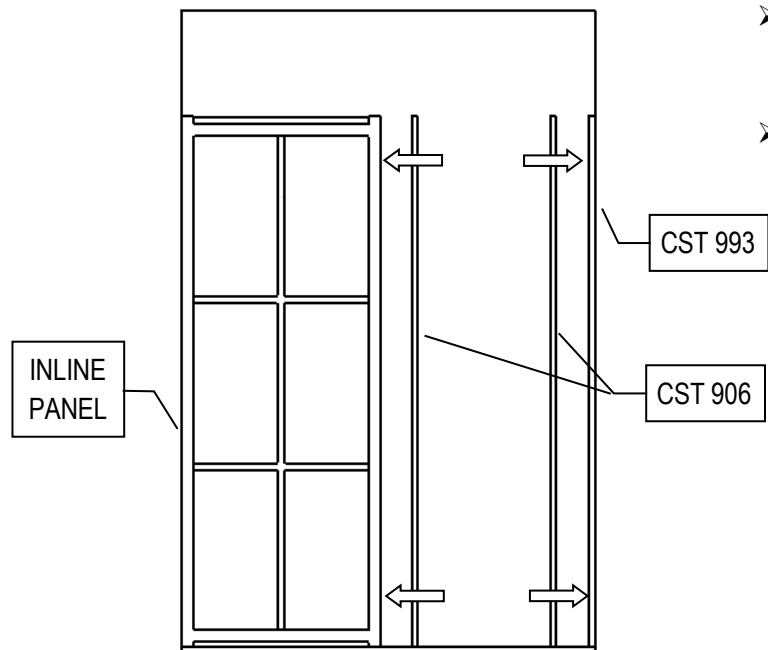
STEP 5. SET INLINE PANEL



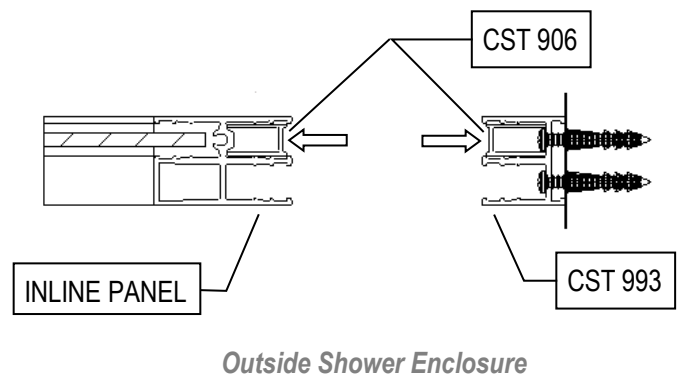
- Set the **Inline Panel** into the **Sill CST 998** and push it onto the **Inline Panel Wall Jamb CST 956** until the **Panel** is tight against the **Jamb**. The metal grid is to the outside.



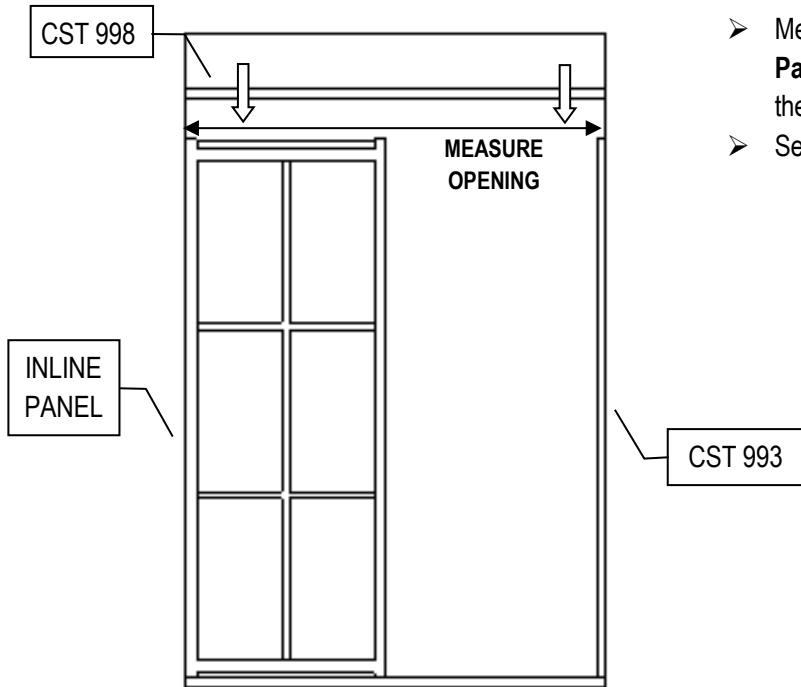
STEP 6. INSERT INLINE PANEL COVER AND DOOR JAMB COVER



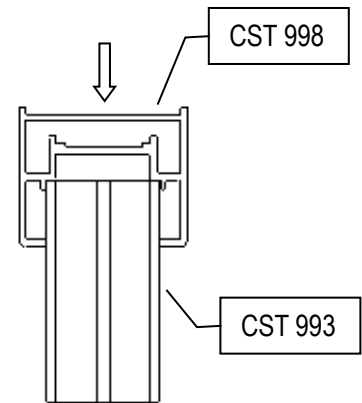
- Insert (1) **Inline / Door Jamb Cover CST 906** into the open edge of the **Inline Panel** and (1) **Cover** into the **Door Panel Wall Jamb CST 993**.
- The **Covers** insert into the channels toward the inside of the shower enclosure.



STEP 7. TRIM AND INSTALL HEADER

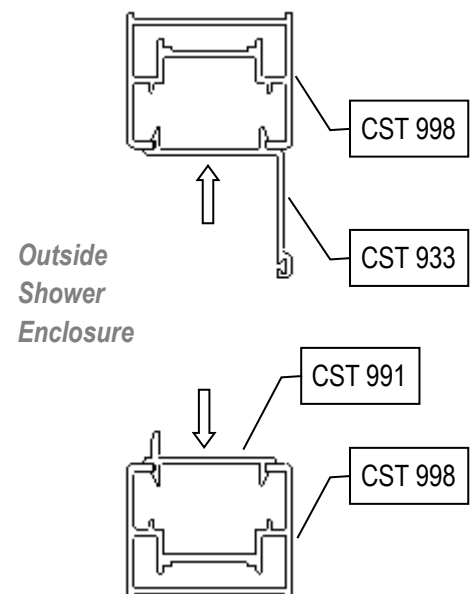
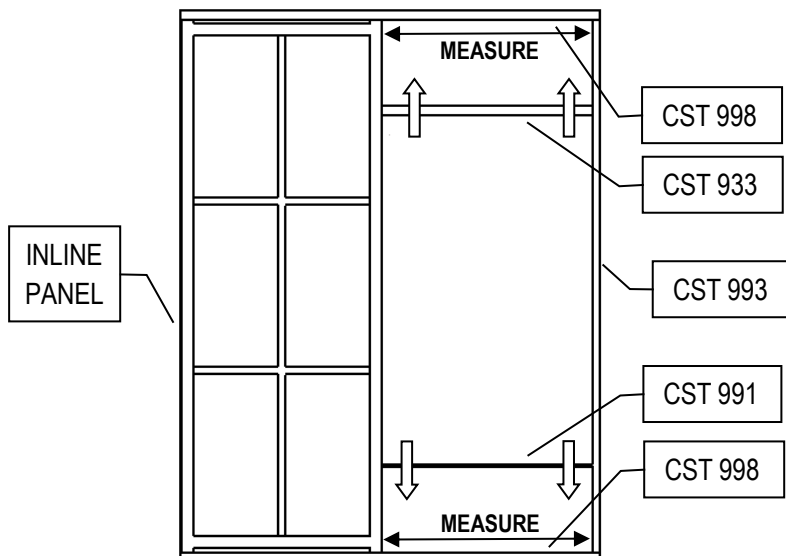


- Measure the shower opening above the top of the **Door Panel Wall Jamb CST 993** and the **Inline Panel**. Trim the **Header CST 998** (no weep holes) to fit.
- Set the **Header** over the **Jamb** and **Inline Panel**.

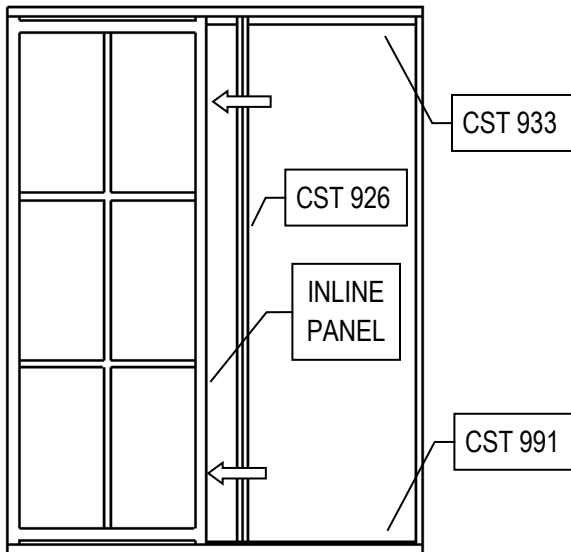


STEP 8. TRIM AND INSTALL HEADER COVER AND SILL COVER

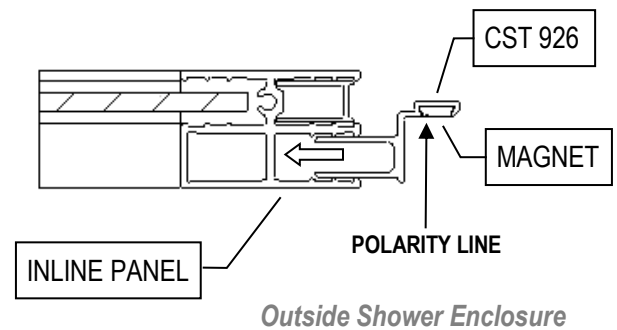
- Measure between the **Door Panel Wall Jamb CST 993** and the **Inline Panel** at the **Header CST 998**. Trim the **Header Cover CST 933** to the measurement obtained.
- Snap the **Header Cover** into the **Header** with the flange toward the inside of the enclosure.
- Measure between the **Jamb** and **Inline Panel** at the **Sill CST 998**. Trim the **Sill Cover Dam CST 991** to the measurement obtained.
- Snap the **Sill Cover** into the **Sill** with the lip toward the outside of the enclosure.



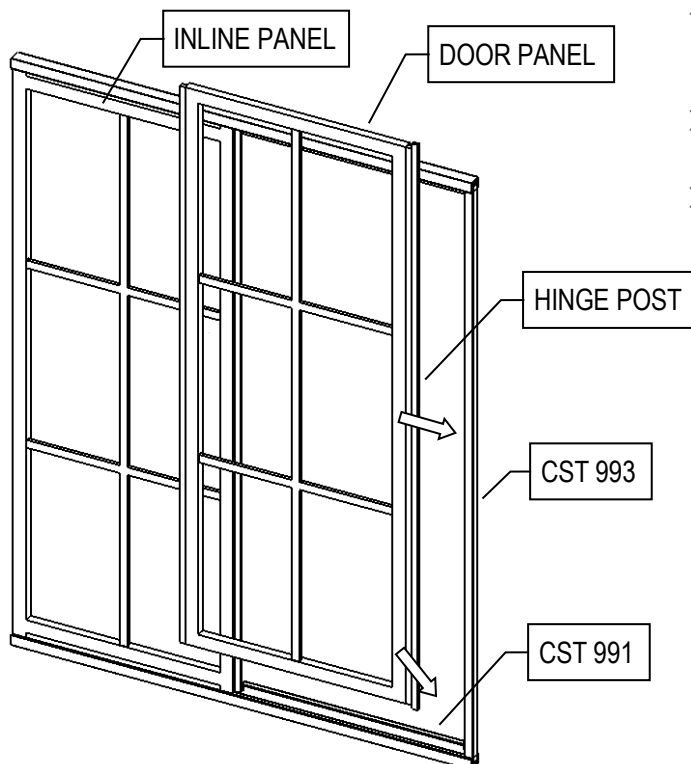
STEP 9. INSTALL STRIKE POST



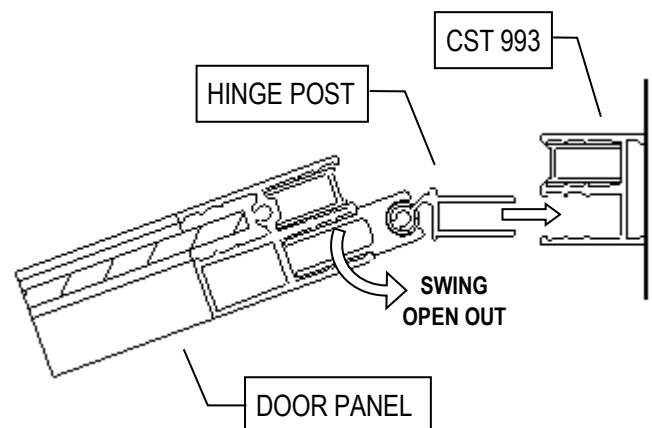
- Insert the **Strike Post CST 926** opposite the **Door Hinge** location, into the outside channel of the **Inline Panel** or the **Door Panel Wall Jamb CST 993**.
- Insert the **Strike Post** with the **Magnet** facing to the outside of the enclosure and the polarity line away from the **Door** opening.
- The **Strike Post** sits on top of the **Sill Cover Dam CST 991**, and the **Header Cover CST 933** rests on top of the **Strike Post**.



STEP 10. INSTALL DOOR PANEL

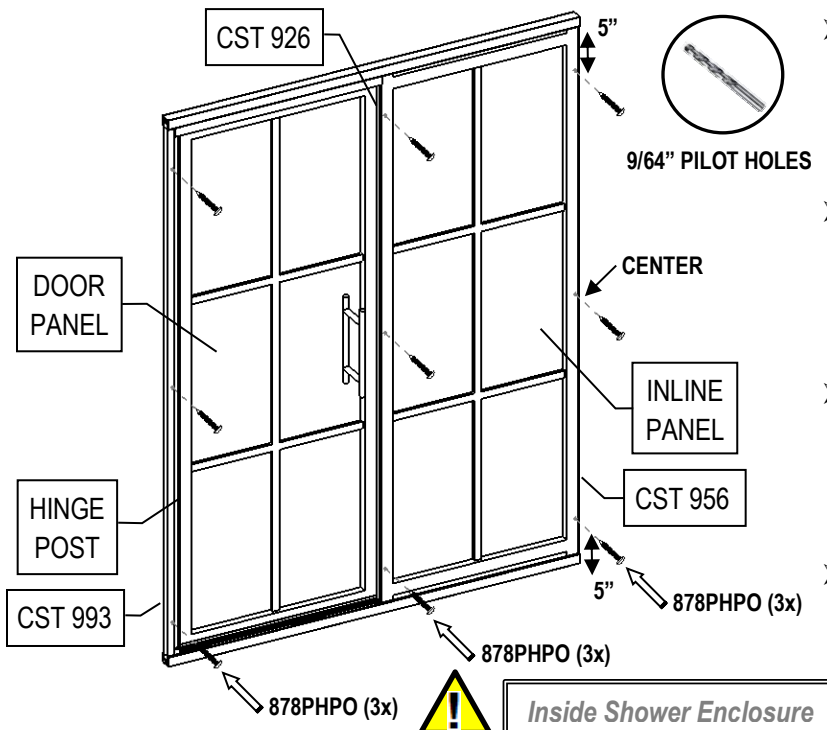
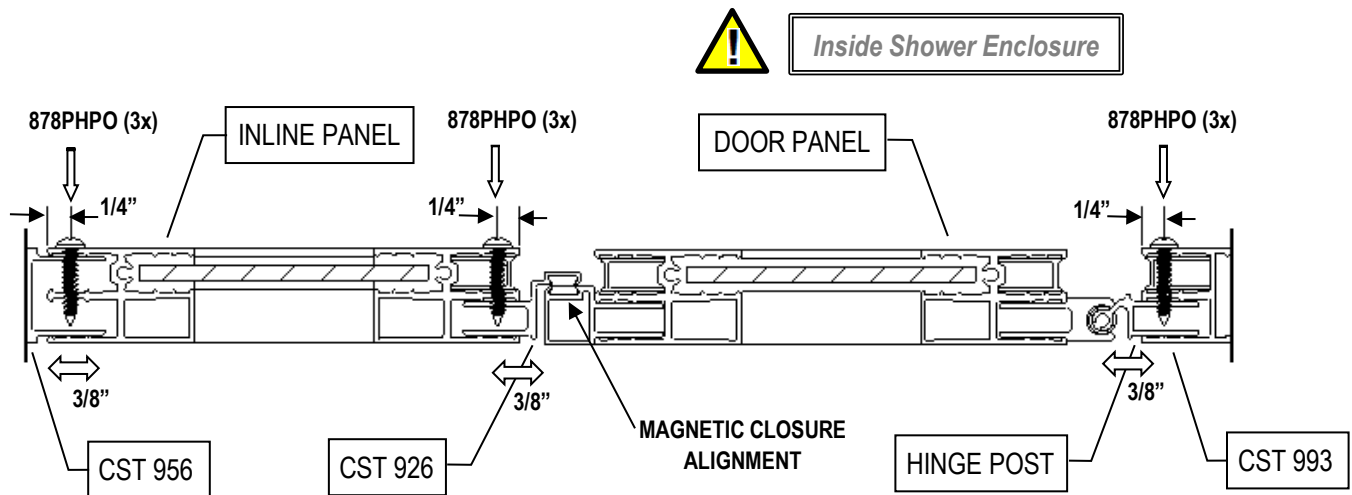


- As per the **Door Hinge** location, insert the **Door Hinge Post** into the outside channel of the **Door Panel Wall Jamb CST 993** or the **Inline Panel**.
- Insert the **Door Panel** as swinging open to the outside of the enclosure and with the metal grid to the outside.
- The **Hinge Post** sits on top of the **Sill Cover CST 991**.



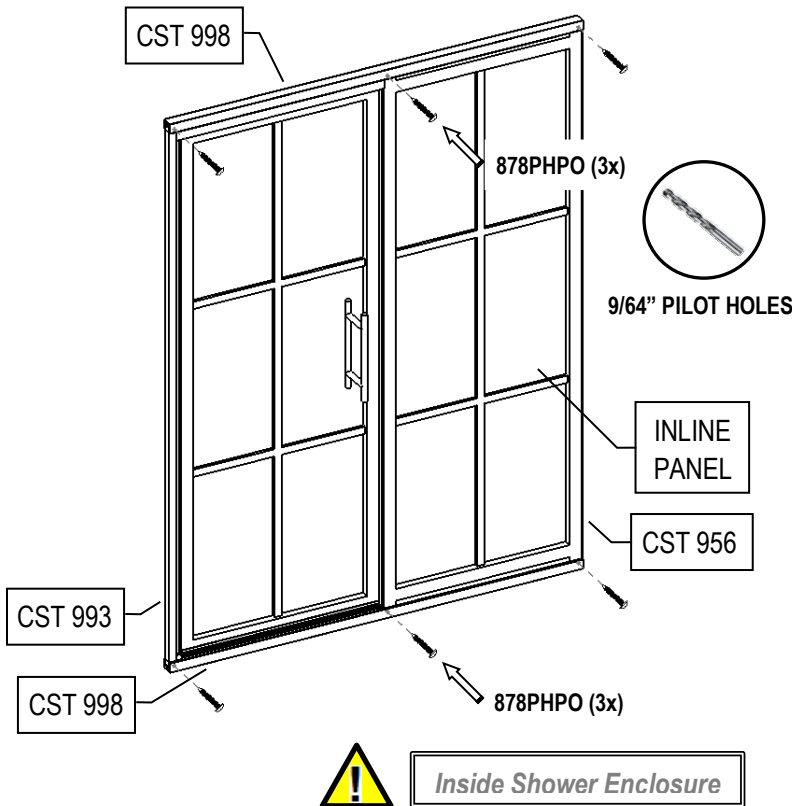
STEP 11. CHECK DOOR OPERATION AND SECURE DOOR AND INLINE PANELS

- Open and close the **Door Panel** to make sure it is operating properly. Check for the correct clearance between the **Door Panel Strike** and the **Strike Post CST 926** for proper magnetic closure alignment.
- Adjust the unit along the curb by telescoping the **Strike Post** and the **Door Hinge Post** in or out of the **Inline Panel** and the **Door Panel Wall Jamb CST 993** as necessary. The **Hinge Post** and **Strike Post** each allow maximum 3/8" adjustment out.
- The **Inline Panel** has maximum 3/8" adjustment out on the **Inline Panel Wall Jamb CST 956**. Trim the **Header Cover CST 933** and **Sill Cover Dam CST 991** as needed to adjust the **Inline Panel**.

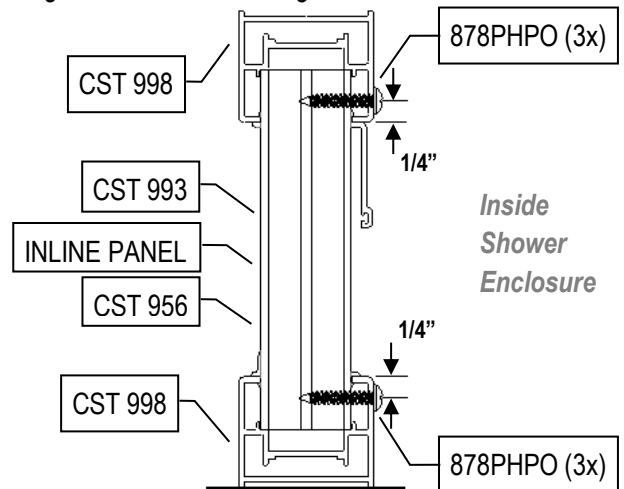


- When satisfied with unit operation, secure the **Door Panel** and **Inline Panel** from inside the enclosure with **Panel Adjustment Screws 878PHPO (#8 x 7/8" Pan Head Philips (Black Head))**. Drill **9/64"** pilot holes **7/8"** deep at each **Screw** location.
- Secure the **Inline Panel** to the **Inline Panel Wall Jamb CST 956** with (3) **Screws** at top, middle and bottom. Locate **Screws** at **1/4"** from the edge of the **Panel**. Place **Screws** at **5"** from the top and bottom of the **Panel**.
- Secure the **Door Hinge Post** to the **Door Panel Wall Jamb CST 993** with (3) **Screws** at top, middle and bottom. Locate **Screws** at **1/4"** from the edge of the **Jamb**. Place **Screws** at **5"** from the top and bottom of the **Jamb**.
- Secure the **Strike Post CST 926** to the **Inline Panel** with (3) **Screws** at top, middle and bottom. Locate **Screws** at **1/4"** from the edge of the **Panel**. Place **Screws** at **5"** from the top and bottom of the **Panel**.

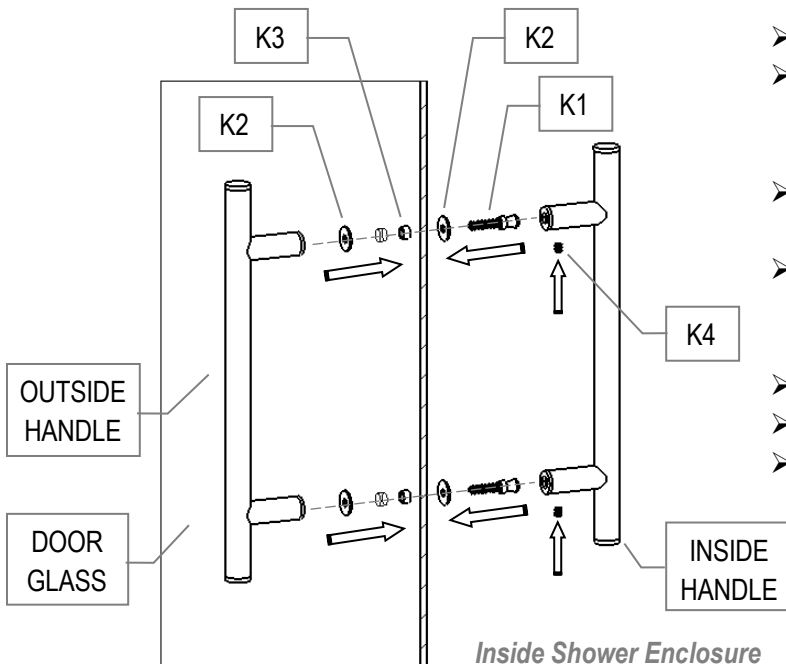
STEP 12. SECURE HEADER AND SILL



- Secure **Header and Sill CST 998** from inside the enclosure with (3) **Panel Adjustment Screws 878PHPO (#8 X 7/8")**. Drill 9/64" pilot holes 7/8" deep at each **Screw** location.
- Secure the **Header and Sill** to the **Wall Jamb CST 956** and **CST 993** at each end, and to the **Inline Panel** vertical stile at center. Locate **Screws** at 1/4" from the edge of the **Header and Sill**. Place **Screws** 1/4" horizontally from the **Panel and Door Jamb** edges to align with **Screws** securing the **Panels**.

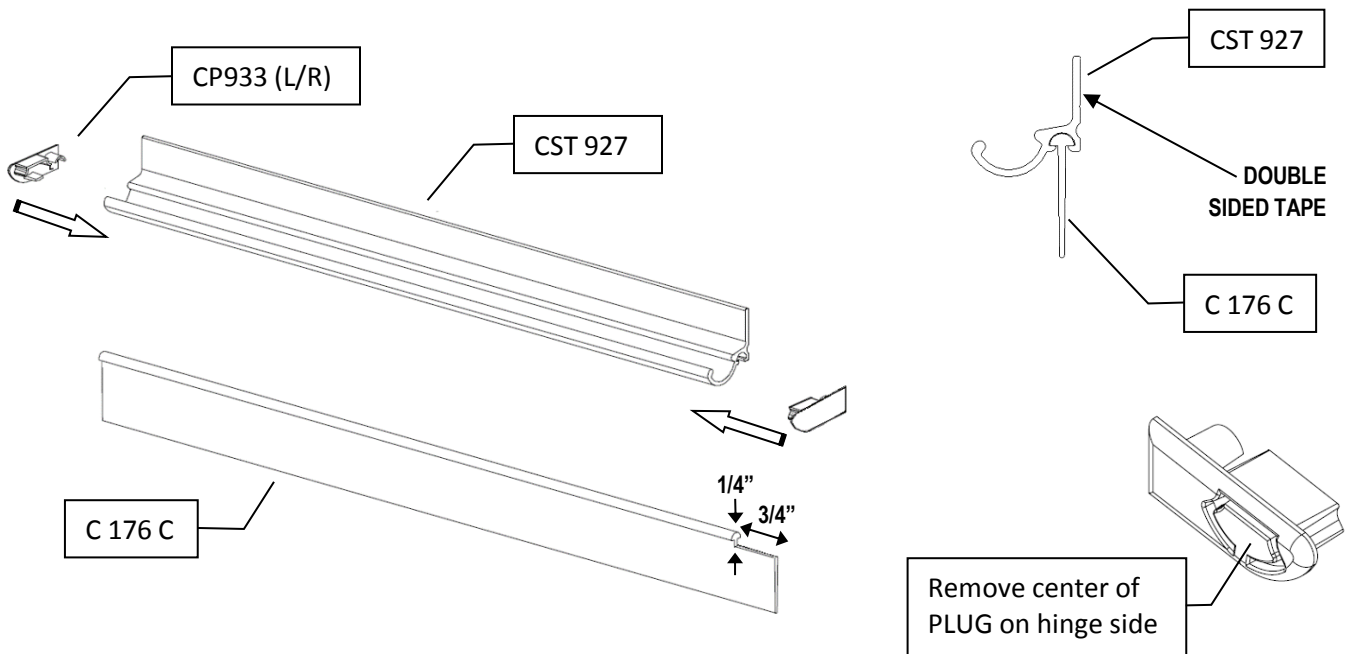


STEP 13. INSTALL DOOR HANDLE

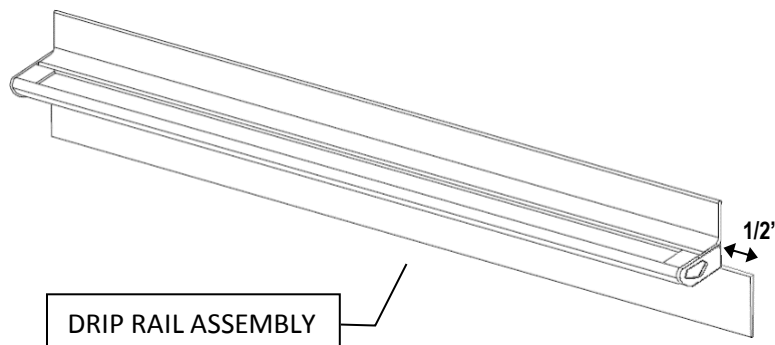


- Locate existing holes for the **Handle** on the **Door Panel**.
- Loosen **Set Screws (K4)** and separate the **Inside Handle**. Remove **Cone Head Screws (K1)** from the **Outside Handle**.
- Slip a **Washer (K2)** and **Bushing (K3)** onto each **Screw (K1)**.
- Insert a **Screw (K1)** through the upper hole in the **Door** from inside the enclosure. Slip a second **Washer (K2)** onto the **Screw (K1)**.
- Tighten the **Screw (K1)** to the **Outside Handle**.
- Repeat for the second **Screw (K1)**.
- Take the **Inside Handle** and insert it over the heads of the **Screws (K1)**. Tighten the two **Set Screws (K4)**.

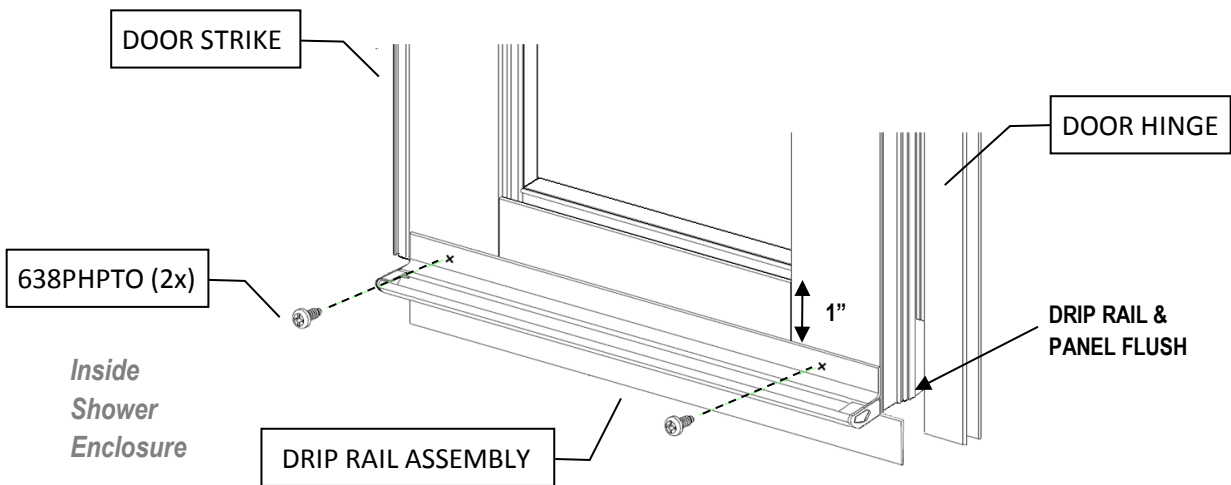
STEP 14. PREPARE DRIP RAIL ASSEMBLY



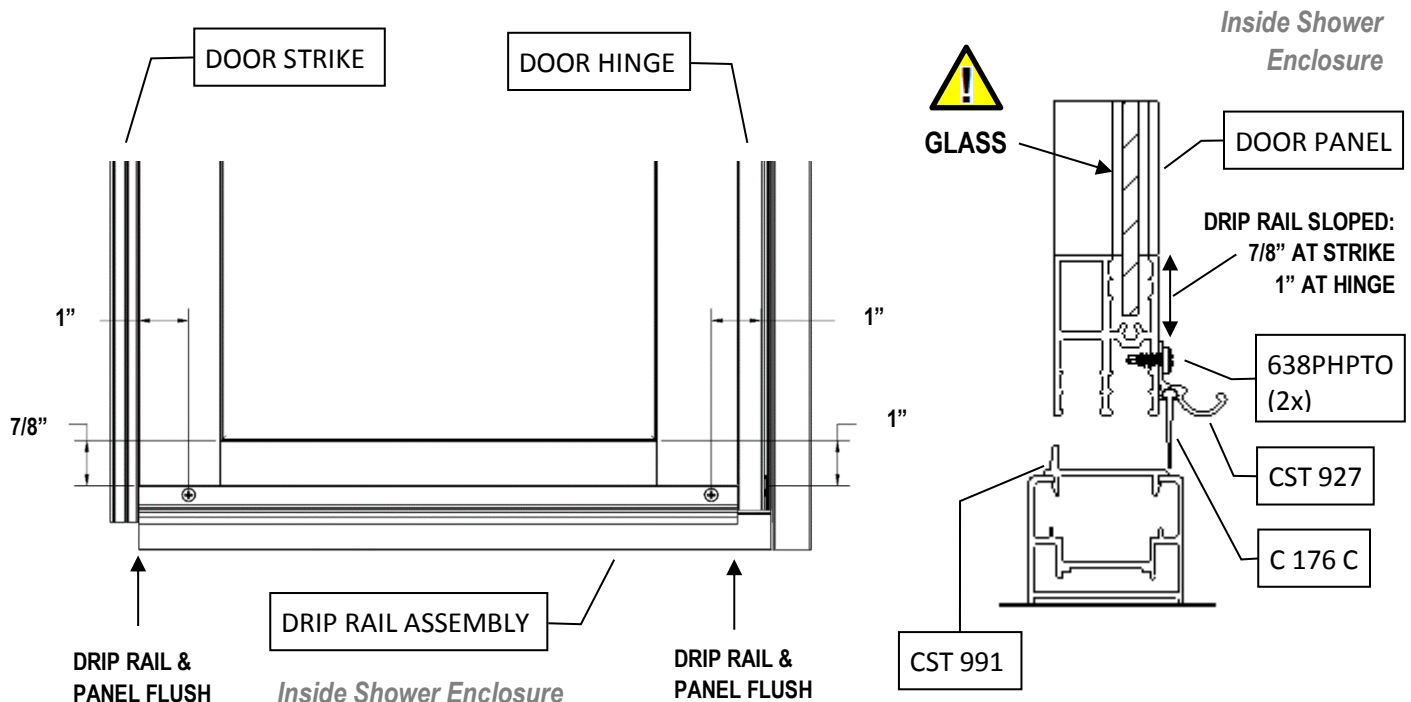
- Notch the **Door Sweep C 176 C** on one end (hinge side) 3/4" x 1/4" as shown.
- Insert the **Sweep** into the channel at the bottom of the **Drip Rail CST 927** with the notched end on the hinge side. Pull the **Sweep** through until 1" extends from the **Drip Rail** on the hinge side. Trim the excess on the strike side.
- Insert the left / right **Drip Rail Plug CP933** into each end of the **Drip Rail**.
- On the hinge side punch out the center of the **Plug** to allow water to escape.



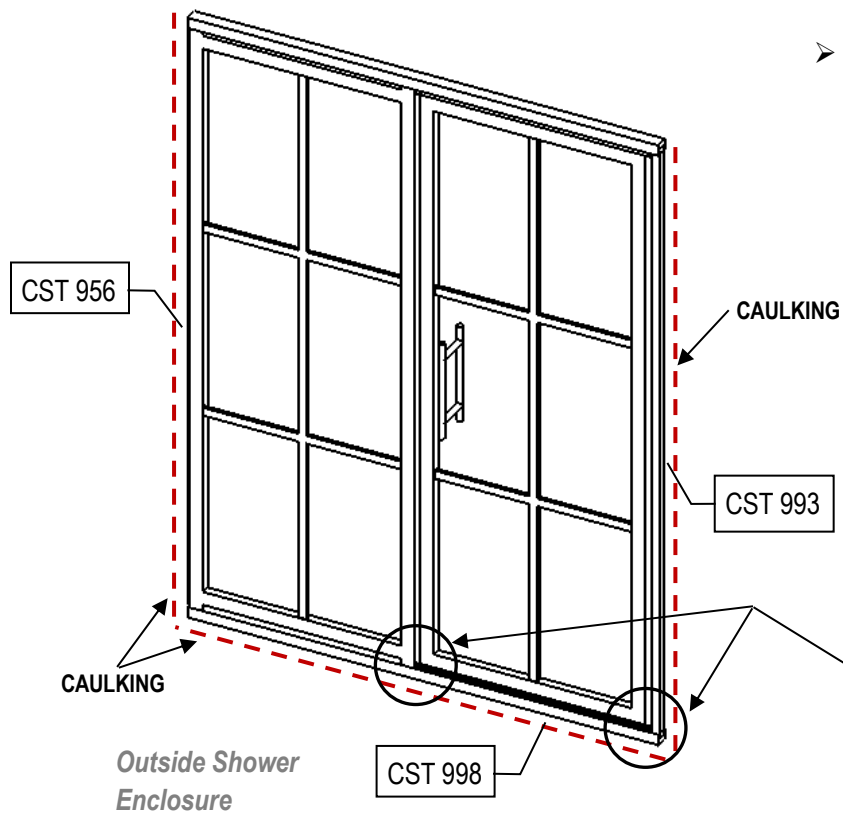
STEP 15. INSTALL DRIP RAIL ASSEMBLY



- Remove the backing from the **Tape** on the **Drip Rail CST 927**. Position the **Drip Rail** flush with the edge of the **Door Panel** on the hinge side.
- Adjust the height of the **Drip Rail** to 1" down from the top of the bottom horizontal rail. The **Drip Sweep C 176 C** will touch the **Sill Cover Dam CST 991** to prevent splash to the outside of the enclosure.
- Angle the **Drip Rail** up at the **Door Strike** to create a slope of minimum 1/8" down towards the **Hinge** for drainage.
- Check for interference between the **Sweep** and the unit by opening and closing the **Door**. Trim and adjust as needed.
- When satisfied, secure the **Drip Rail** to the **Door** using (2) self-drilling **Drip Rail Screws 638PHPTO** (#6 x 3/8" Pan Head Philips Tek (Black Head)) with one at 1" from each end.



STEP 16. SEAL UNIT EXTERIOR



- To complete the installation, run a bead of clear (or matching color) mildew resistant caulking around the outside perimeter of the shower at the **Sill CST 998** and the **Wall Jamb** **CST 956** and **CST 993**.

- Caulk the crevices where the **Strike Post CST 926** and **Door Hinge Post** meet the **Sill Cover Dam CST 991**.
- Follow the caulk manufacturer's instructions before using the shower.

