

GENIUS5 6V & 12V 5A



Auto | Marine | RV | Powersport | Lawn & Garden

NOCO genius[®] 5™ BATTERY CHARGER™ + MAINTAINER



P/N 908850

EVERYTHING CHARGER.

Do more with Genius. Multi-voltage, chemistries, and types.

Meet the GENIUS5 - Similar to our G3500, just better. It's 34% smaller and delivers over 65% more power. And it's simpler and easier to use than ever before. Plug-in, connect to the battery, select a charge mode, and start charging your battery. A fully-automatic, worry-free battery charger for year-round use. Designed for 6-volt and 12-volt lead-acid automotive, marine, and deep-cycle batteries, including flooded, gel, AGM, maintenance-free, and lithium-ion batteries.

00.0v

CHARGE DOWN TO ZERO VOLTS.

Charge dead batteries as low as 1-volt. Or use the all-new Force Mode that allows you to take control and manually begin charging dead batteries down to zero volts.



BRING BATTERIES BACK TO LIFE.

Built-in desulfation mode for the most corroded batteries. Auto detection with smart diagnostic indicators starts a Repair Mode integrated within a 9-step charging profile.



THERMAL COMPENSATION.

An integrated thermal sensor detects the ambient temperature and alters the charge to eliminate over-charging in hot climates and under-charging in cold climates.

24/7

WORRY-FREE CHARGING.

Provides all-season, all-weather charging for a healthy battery. Leave plugged in 24/7 with no worries of overcharging. Automatically returns to its last selected mode.

NOCO
30339 Diamond Parkway, #102
Glenwillow, OH 44139 | USA
1.800.456.6626

no.co

NOCO[®]

WHAT'S IN THE BOX.

56" (142.24cm)

85" (217cm)



Charger +
Interchangeable
Connector

Battery Clamps +
Integrated Eyelets

21"
(55cm)



Mounting Bracket + Strap



(2) #8x1" Self-tapping
Screws



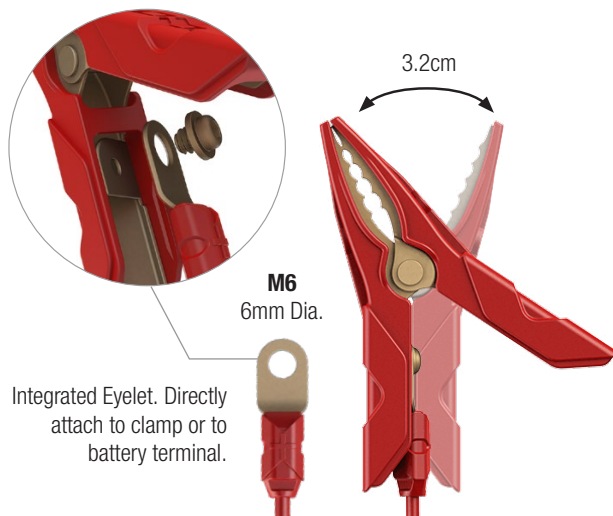
User Guide

NOCO Patented Technology

Patented: visit no.co/patents

Maximum Versatility.

Genius clamps are built with needle-nose profiles for smaller terminal applications and detachable integrated eyelets for permanently mounting the accessory to the battery.



Technical Specifications

| | | | |
|-------------------------------|---------------------------------|----------------------------|--|
| Line Voltage AC: | 120-240 VAC, 50-60Hz | DC Cable Length: | 77.6 Inches |
| Output Power: | 75 Watts Max | AC Cable Length: | 71.7 Inches |
| Charging Voltage: | Various | Back Current Drain: | <0.5mA |
| Charging Current: | 5A (12V), 5A (6V) | Battery Capacity: | Up to 120Ah, Maintains All Battery Sizes |
| Chemistry: | Lead-Acid and Lithium | Housing Protection: | IP65 |
| Operating Temperature: | -4° to 104° F (-20° to +40° C) | Dimensions (LxWxH): | 4.6 x 2.9 x 1.9 Inches |
| Storage Temperature: | -22° to 140° F (-30° to +60° C) | Unit Weight: | 1.5 lbs |
| Low-Voltage Detection: | 1V (12V), 1V (6V) | Cooling: | Natural Convection |

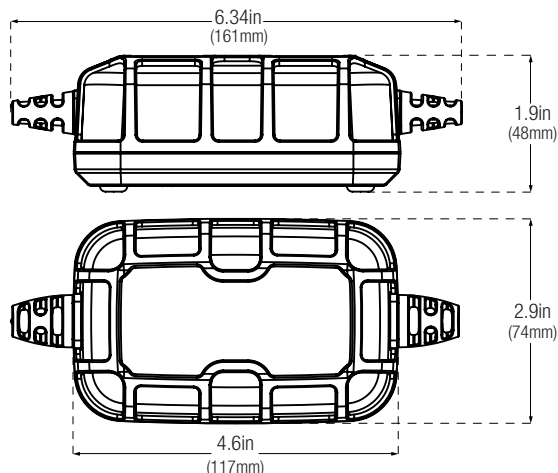
Charging Times

(for reference, results may vary)

| Battery Size | Approx. Charge Time in Hours | |
|--------------|------------------------------|-----|
| | 6V | 12V |
| 20Ah | 3 | 3 |
| 40Ah | 6 | 6 |
| 80Ah | 12 | 12 |
| 100Ah | 15 | 15 |
| 120Ah | 18 | 18 |

WHAT'S IN THE BOX.

- GENIUS5 Battery Charger w/ Interchangeable Connector
- Clamps w/ Integrated Eyelets
- Mounting Bracket w/ Strap
- (2) Self-Tapping Screws
- User Guide & Warranty Information



Retail Packaging:

Dimensions: 4.61" x 3.43" x 7.95"
Weight: 1.59lbs
UPC: 0-46221-19004-5

Inner Carton:

Dimensions: 4.84" x 3.70" x 8.19"
Weight: 1.75lbs

Master Carton:

Dimensions: 17.10" x 11.97" x 5.51"
Weight: 11.31lbs
Quantity: 6
UCC: 10046221190042

Units Per Pallet:

NA - 336 Units
International - 252Units



NOCO

30339 Diamond Parkway, #102
Glenwillow, OH 44139 | USA
1.800.456.6626

no.co

NOCO®