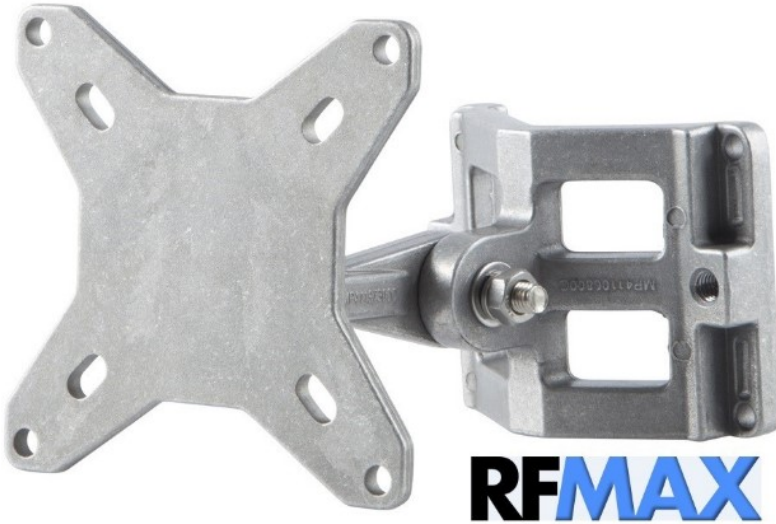
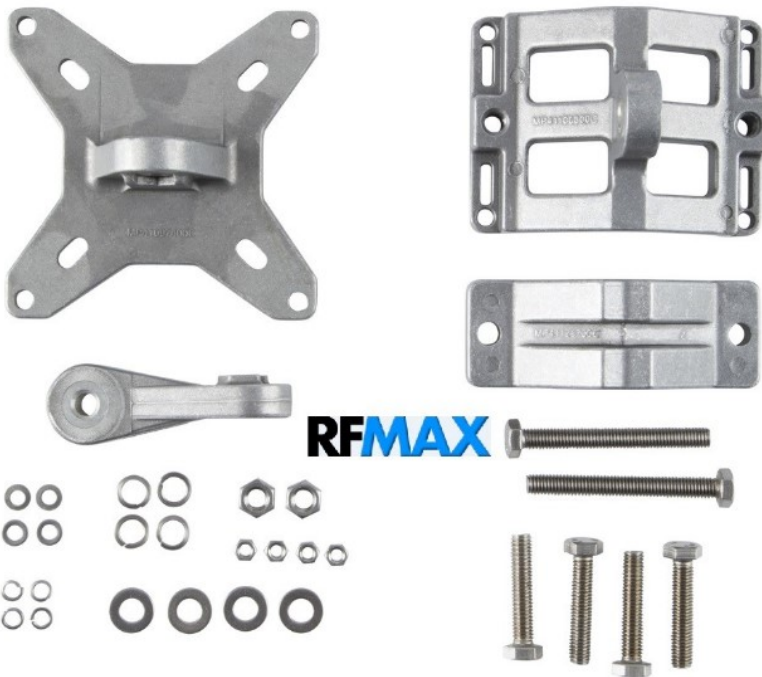


HDMNT-100MM

Heavy Duty Indoor Outdoor
Mounting Bracket for Antenna,
Computer Monitor or TV. 100mm
VESA



The RFMAX HDMNT-100MM is a die-cast aluminum mounting bracket for use with antennas, enclosures, monitors, etc. This unit will work for mounting anything with a 63.5 or 100mm VESA mounting pattern. The kit includes all of the hardware that you will need to mount to a wall or to a pole/mast. Particularly appropriate for the outdoor mounting of antennas, enclosures, and monitors.



HDMNT-100MM



Heavy Duty Indoor Outdoor
Mounting Bracket for Antenna,
Computer Monitor or TV. 100mm
VESA

Environmental Specifications

Operating Temperature [°C]	-55° C to 71° C
Humidity	0-100%
Shock	IEC 60721-3-4 4M5
Mechanical Vibration	IEC 60721-3-4 4M5
Ice Loading	25mm Radial
Salt Fog	IEC 68-2-11 Ka, 500h

Physical Specifications

Color	Grey
Weight	1.9 lbs.
Mounting	Mast or wall
Azimuth Resolution Step	2" on wall
Tilt Resolution Step	2" on pole and wall
Material	Aluminum

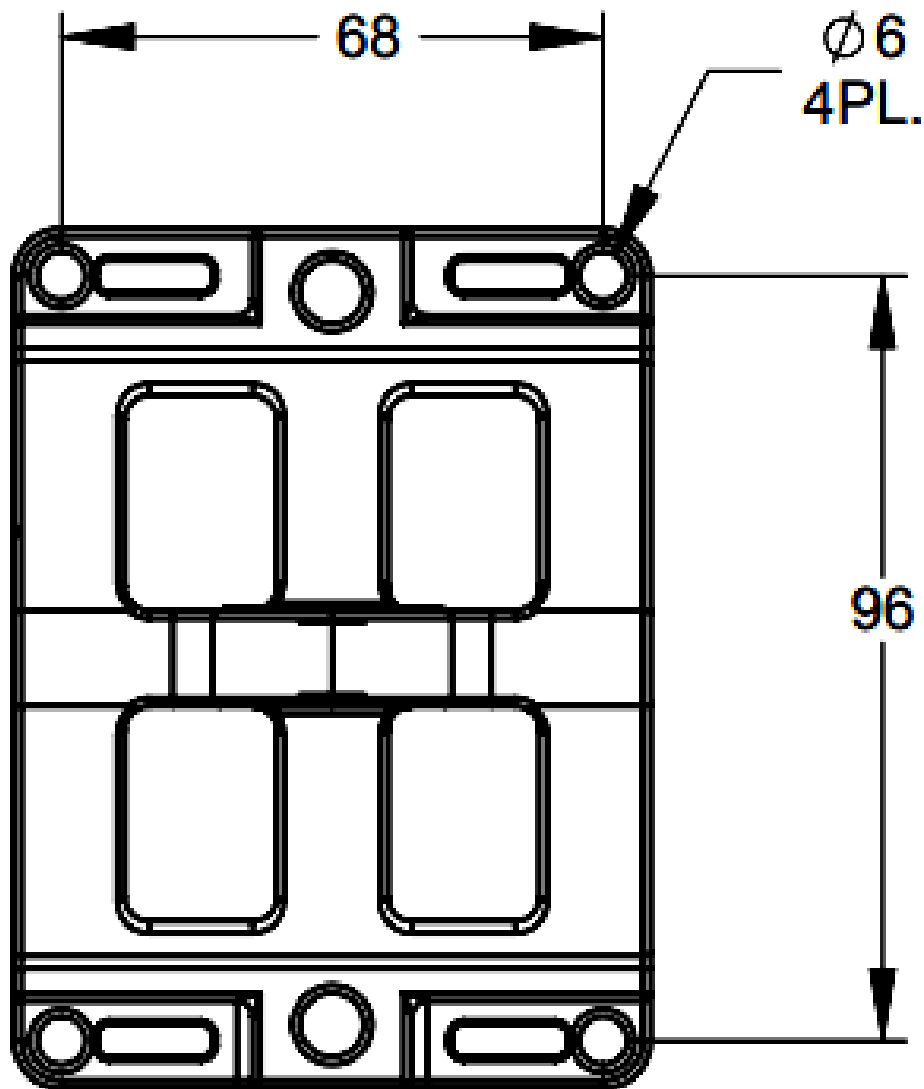


HDMNT-100MM



Heavy Duty Indoor Outdoor
Mounting Bracket for Antenna,
Computer Monitor or TV. 100mm
VESA

Mechanical Drawing



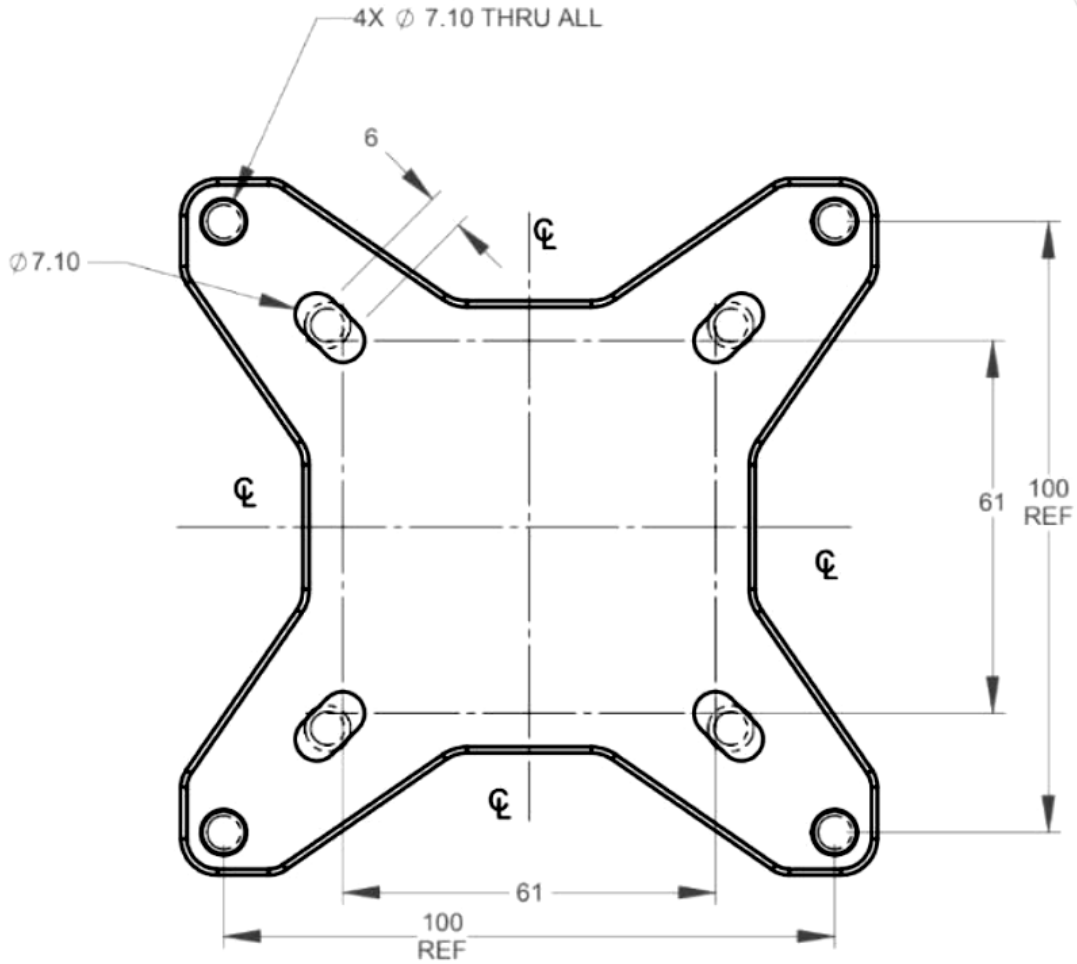
Mechanical Drawing for the mast / post / pole attachment

HDMNT-100MM



Heavy Duty Indoor Outdoor
Mounting Bracket for Antenna,
Computer Monitor or TV. 100mm
VESA

Mechanical Drawing



ALL DIMENSIONS ARE IN mm

Mechanical Drawing for the plate on Antenna