

Ultra Slim Dual LTE MIMO Antenna



The Ultra Slim Antenna is a 4G/LTE MIMO antenna designed for Cellular Wireless gateways and M2M/Industrial IOT. The antenna is purpose built with a rugged low profile molded radome and tamper proof features required for outdoor mounting in the public space. A 3M VHB gasket seals the mounting location from water ingress, bulkhead stud mount provides solid vandal proof mount. A Porex IP rated PTFE vent equalizes pressure, while protecting the housing from water and dust ingress. The narrow profile is ideal for mounting on thin sign housing and displays.

- Low Profile: 1.5"/38mm mounted height
- Rugged construction for fixed and mobile applications
- Threaded Stud + Automotive grade gasket mounting
- Fasteners hidden for tamper proof clean installation
- Assembled in America



LTE



CUSTOMIZABLE

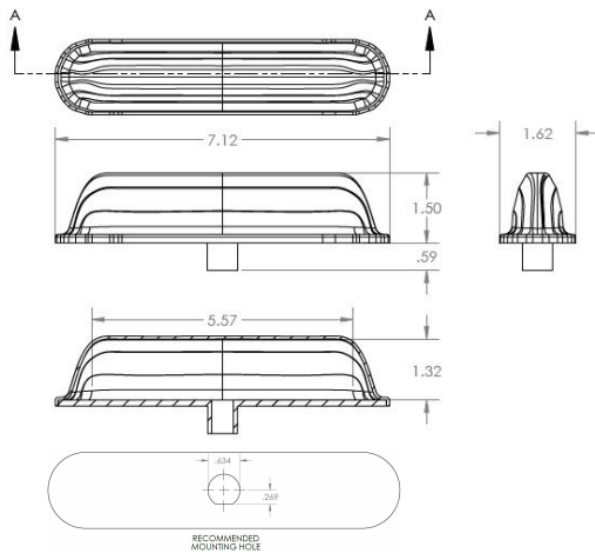
**Example of Part Numbers:
RFIND-44-3-SS-B**

Part Numbers Configurator:

RFIN	D	G	4	W	3	S	B
Model	Direct/Mag Mount	GPS	#LTE	#WiFi	Coax Length (feet)	Connectors (SMA)	Color (Black/White)

ELECTRICAL DATA

Frequency Range	Freq 1	690-960 MHz
	Freq 2	1710-2170 MHz
	Freq 3	2300-2700 MHz
Operational Bands	All Frequencies	4G/LTE/Cellular
Average Gain	All Frequencies	1.5 dBi
Directional Pattern	Omnidirectional	
VSWR	2.5:1 and 2.0:1	



ENVIRONMENTAL DATA

Hazardous Substances	RoHS Compliant
Temperature	-40°C to 65°C (-40°F to + 149°F) Operating and Storage conformance to IEC 60068
Humidity (Non-Condensing)	5% to 96% Operating and Storage conformance to IEC 60068
Water Ingress	IP67
Military Spec	MIL-STD 810 conformance to vibration

MOUNTING DATA

Dimensions	Height	1.5" (38.1 mm)
	Width	1.62" (41.1 mm)
	Length	7.12" (180.8 mm)
Weight	0.23 lbs	
Color	Black (B)	

CABLE DATA – LTE

Type	PT195 Low Loss
Diameter	0.195" (4.953 mm)
Length	3 ft (36 in) Standard
Termination	SMA Male