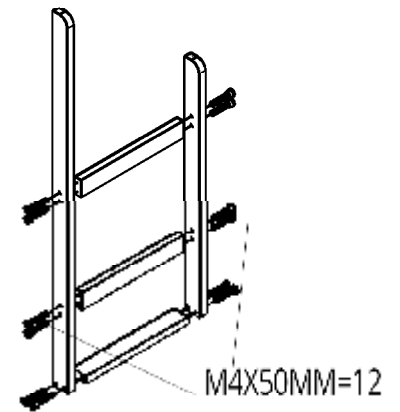


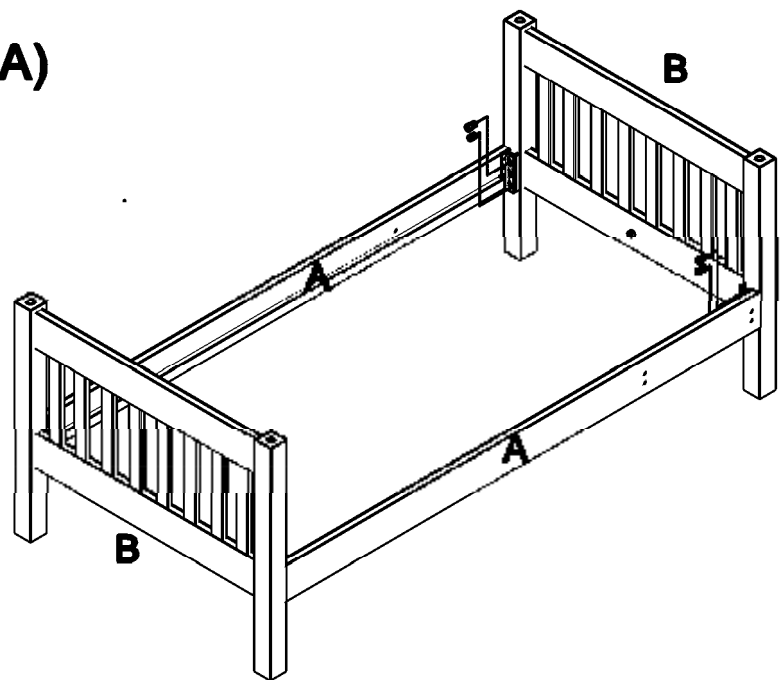
Step 1

Assemble the stairs



Step 2

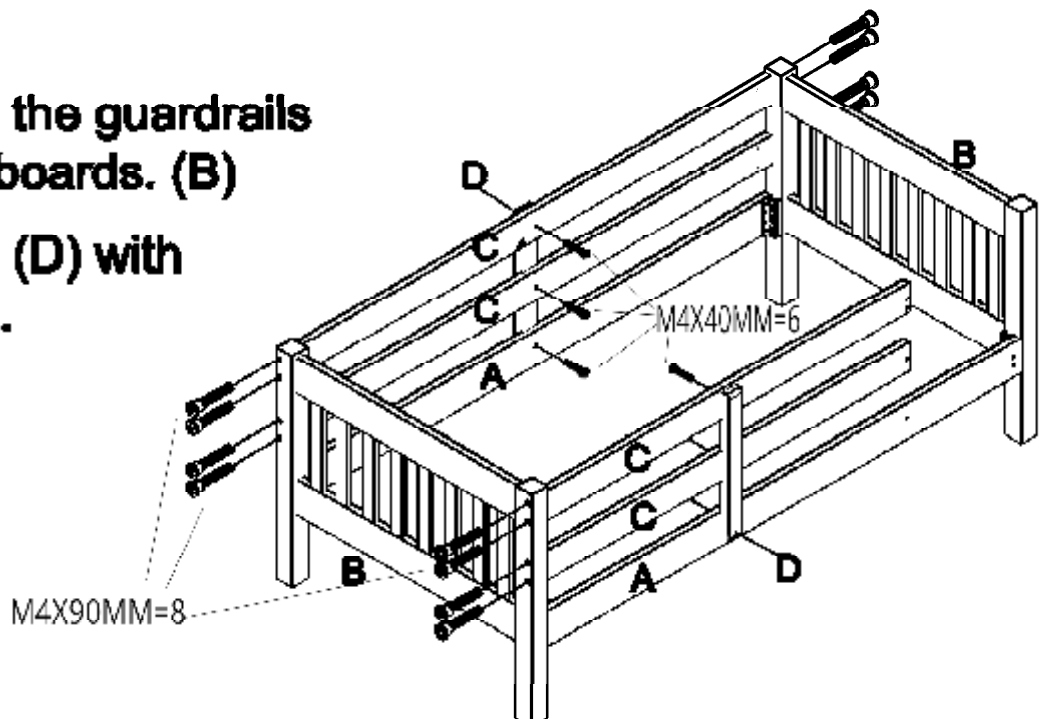
Assemble the bedsides (A) with headboards (B).



Step 3

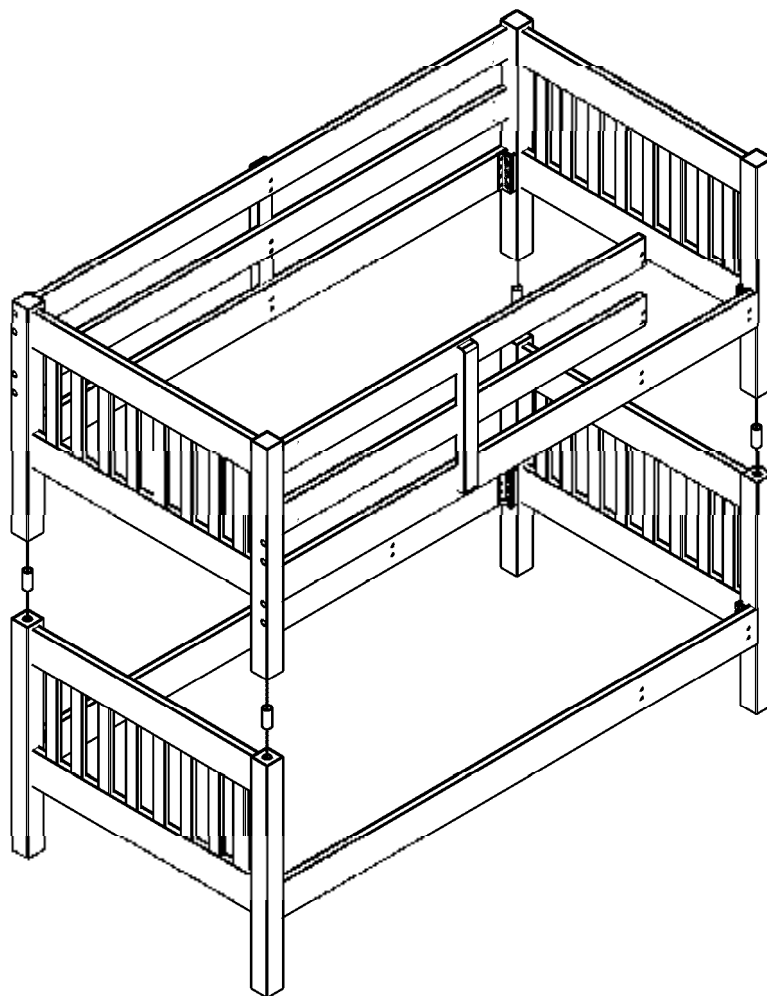
3.1 Assemble the guardrails (C) with headboards. (B)

3.2 Assemble (D) with guardrails (C).



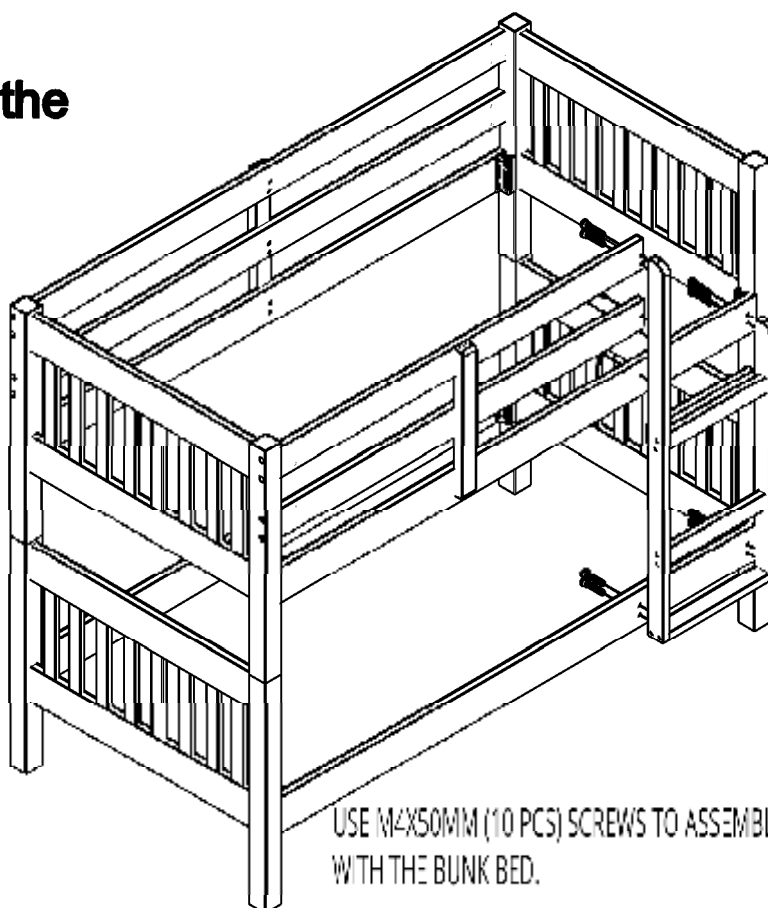
Step 4

Put two beds together.



Step 5

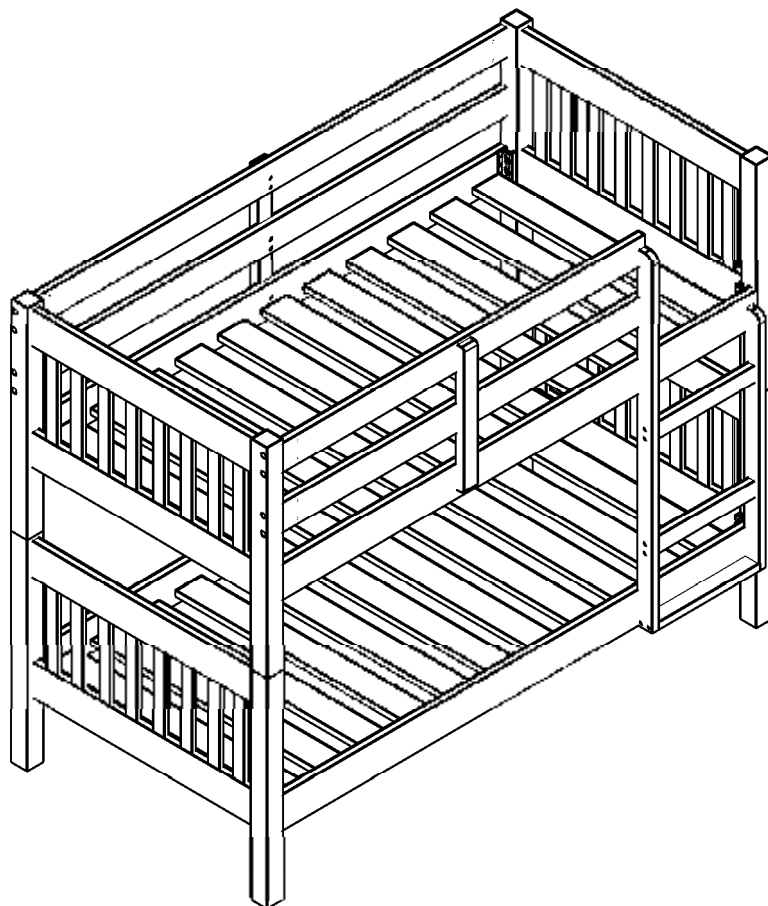
Assemble the stair with the bunk bed.



USE M4X50MM (10 PCS) SCREWS TO ASSEMBLE THE STAIR WITH THE BUNK BED.

Step 6

Put the slats on the bunk bed.



(Finished)