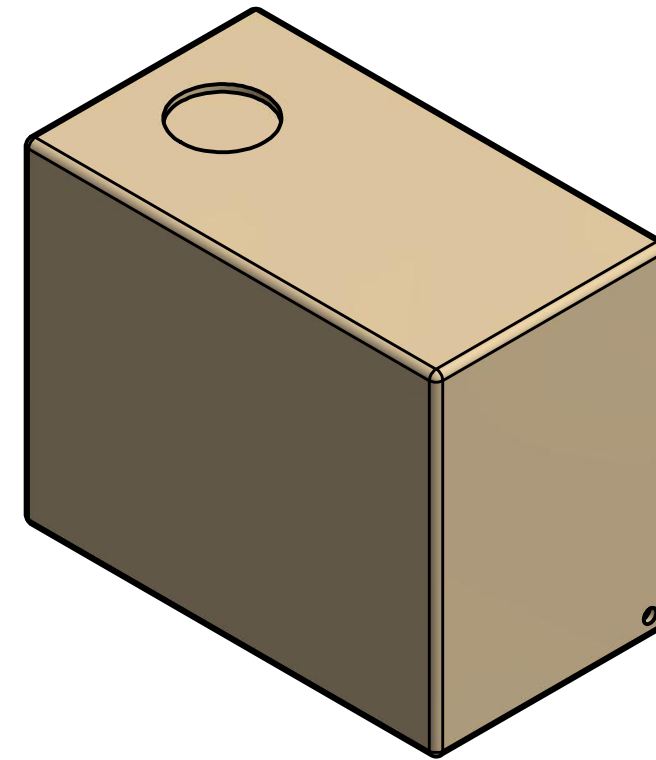
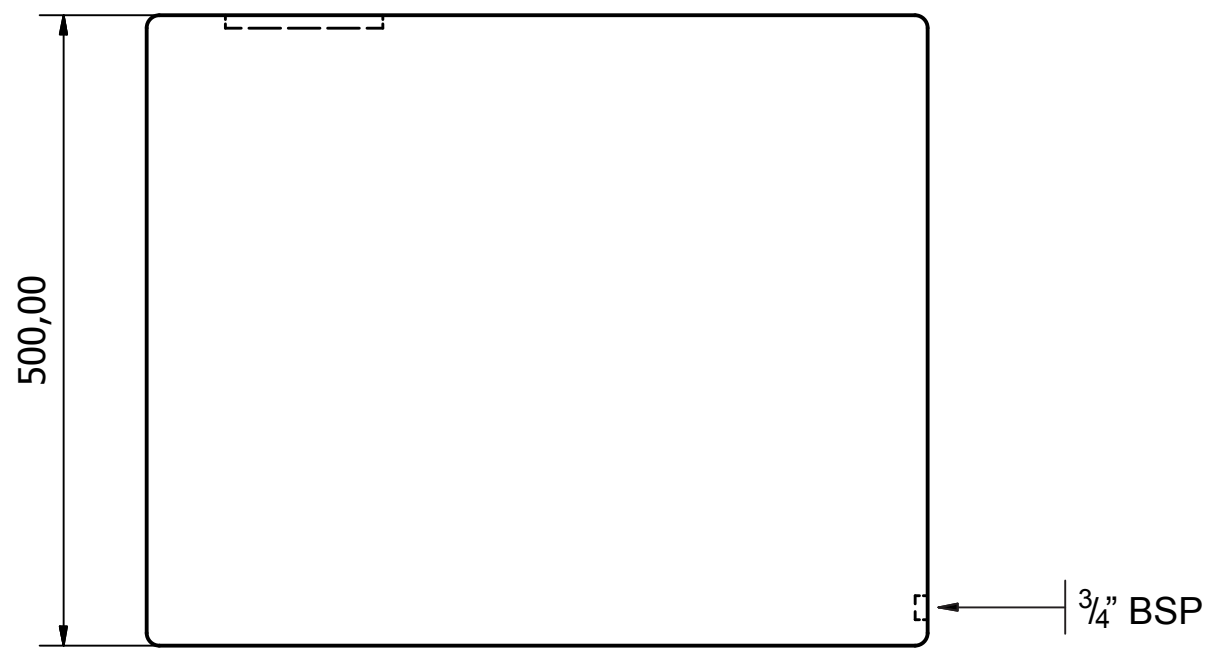
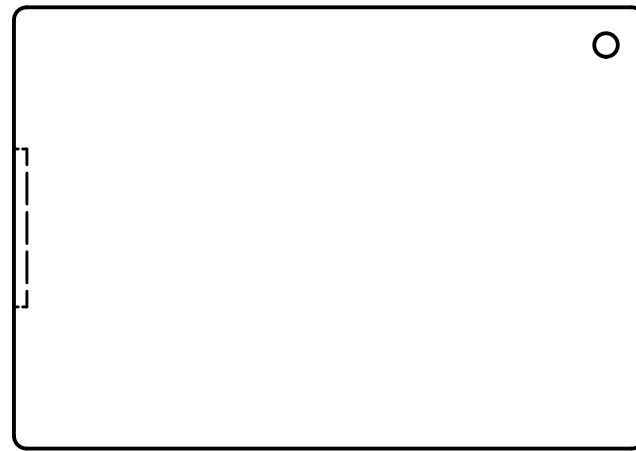
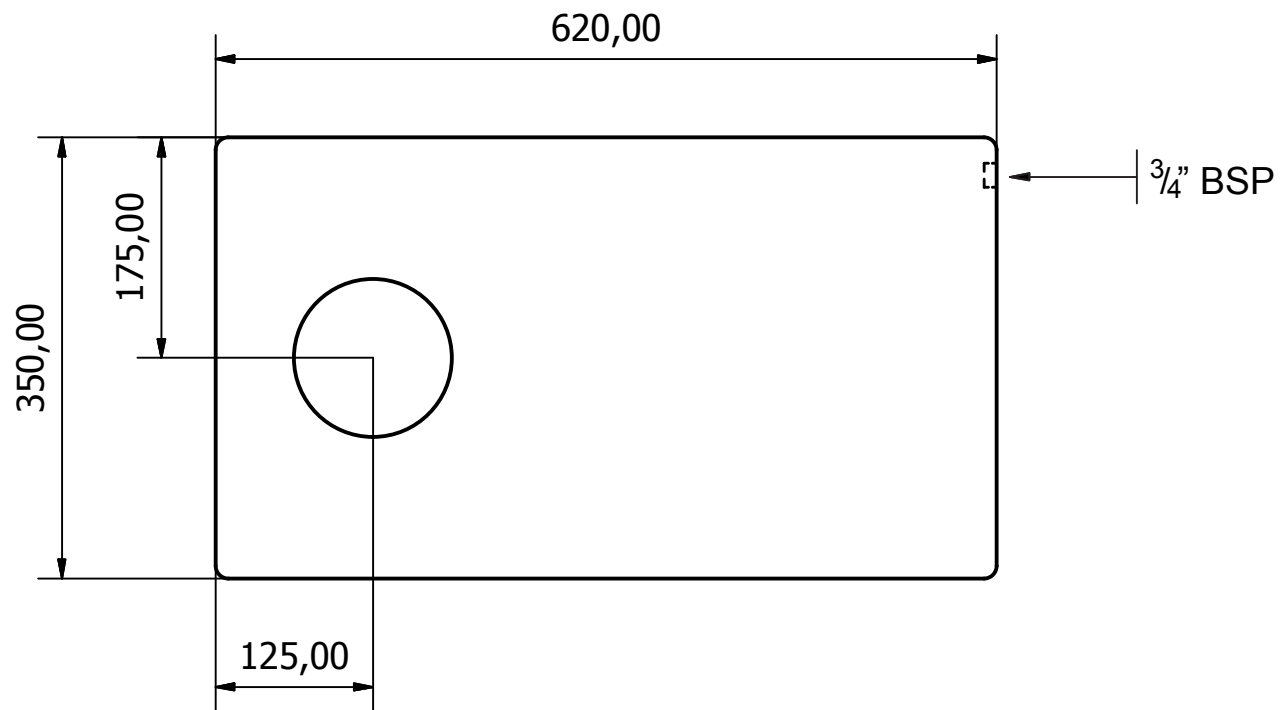


DO NOT SCALE UNLESS STATED - IF IN DOUBT ASK

|           |  |
|-----------|--|
| Material  |  |
| Qty Req'd |  |



| Stock Code | Volume (L) | Lid " | Outlet " |
|------------|------------|-------|----------|
| 95F-NA-5   | 95         | 5     | ¾        |

DIMENSIONS ARE ALL IN MM UNLESS OTHERWISE STATED.  
ALL TOLERANCES +/- 1MM UNLESS STATED.

|                           |              |             |
|---------------------------|--------------|-------------|
| CUSTOMER:                 |              |             |
| PROJECT: 95 Upright Tank  |              |             |
| DRAWN DATE:<br>24/07/2016 | DESIGNED BY: | CHECKED BY: |
| SHEET 1 OF 1              | REV<br>A     | DRAWING NO: |

| REV | ZONE | DESCRIPTION | DATE |
|-----|------|-------------|------|
|     |      |             |      |

