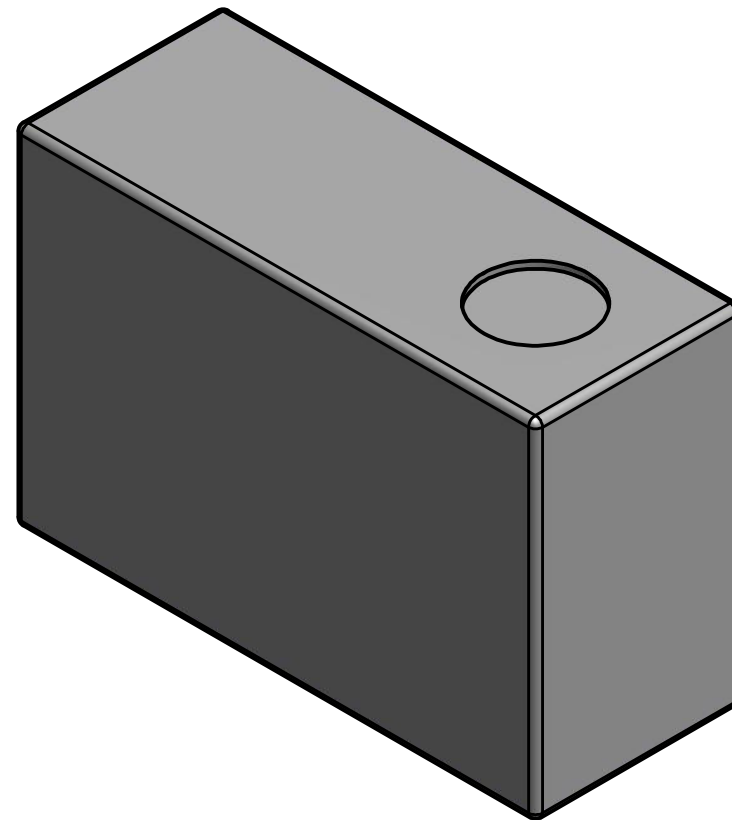
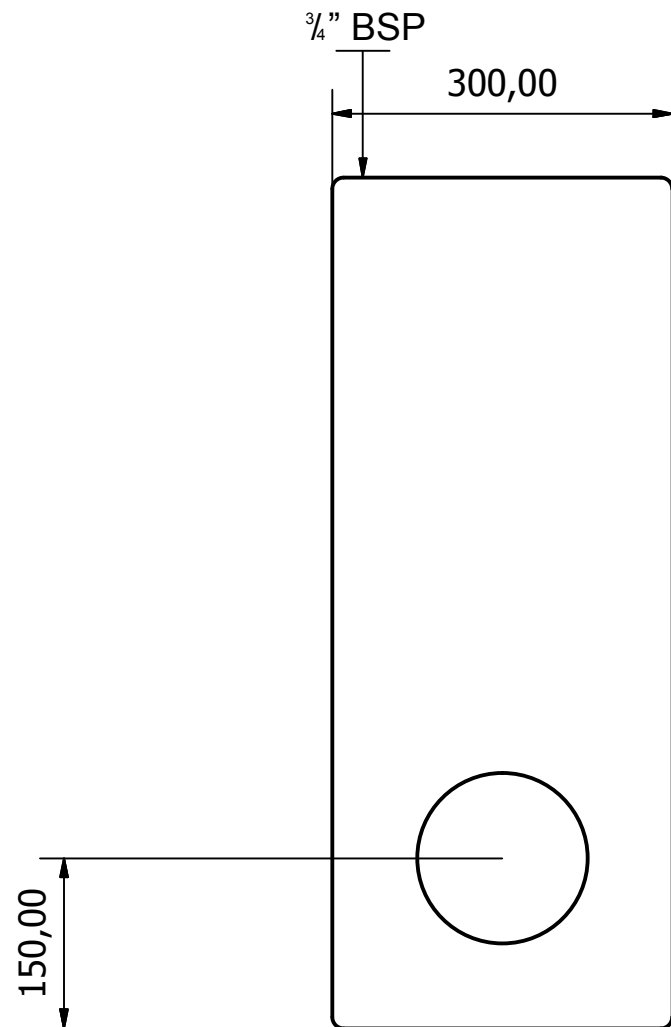
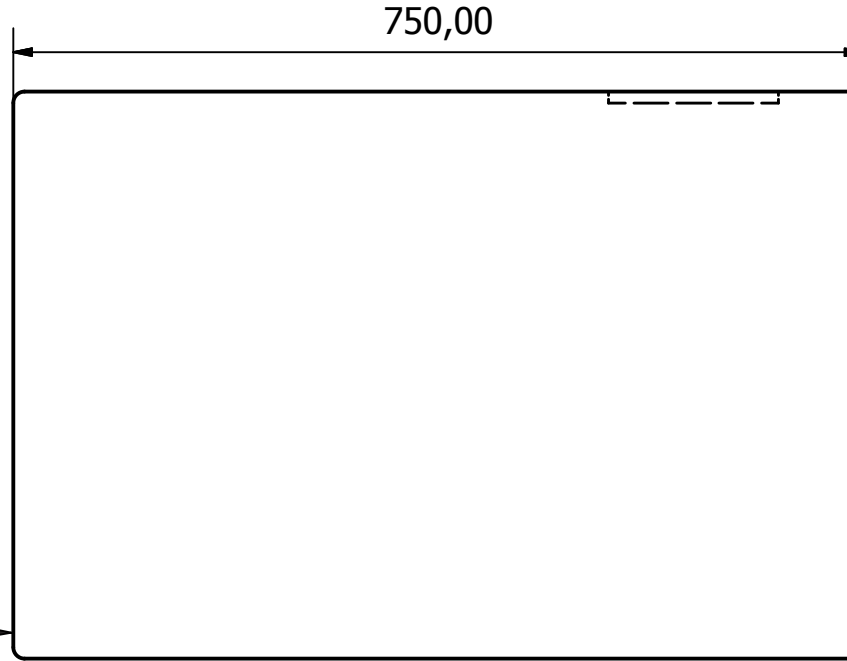
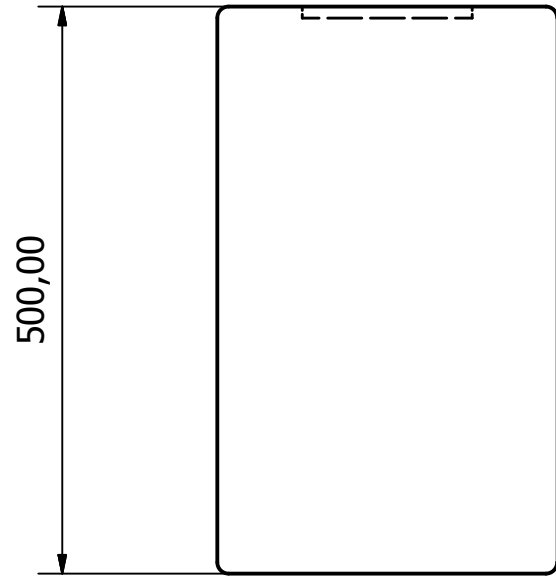


DO NOT SCALE UNLESS STATED - IF IN DOUBT ASK

Material	MDPE
Qty Req'd	



Stock Code	Volume (L)	Lid "	Outlet "
105U-NA-5	105	5	3/4

DIMENSIONS ARE ALL IN MM UNLESS OTHERWISE STATED.
ALL TOLERANCES +/- 1MM UNLESS STATED.

CUSTOMER:		
PROJECT: 105 Upright Tank		
DRAWN DATE: 23/11/2013	DESIGNED BY:	CHECKED BY:
SHEET 1 OF 1	REV A	DRAWING NO:

REV	ZONE	DESCRIPTION	DATE

