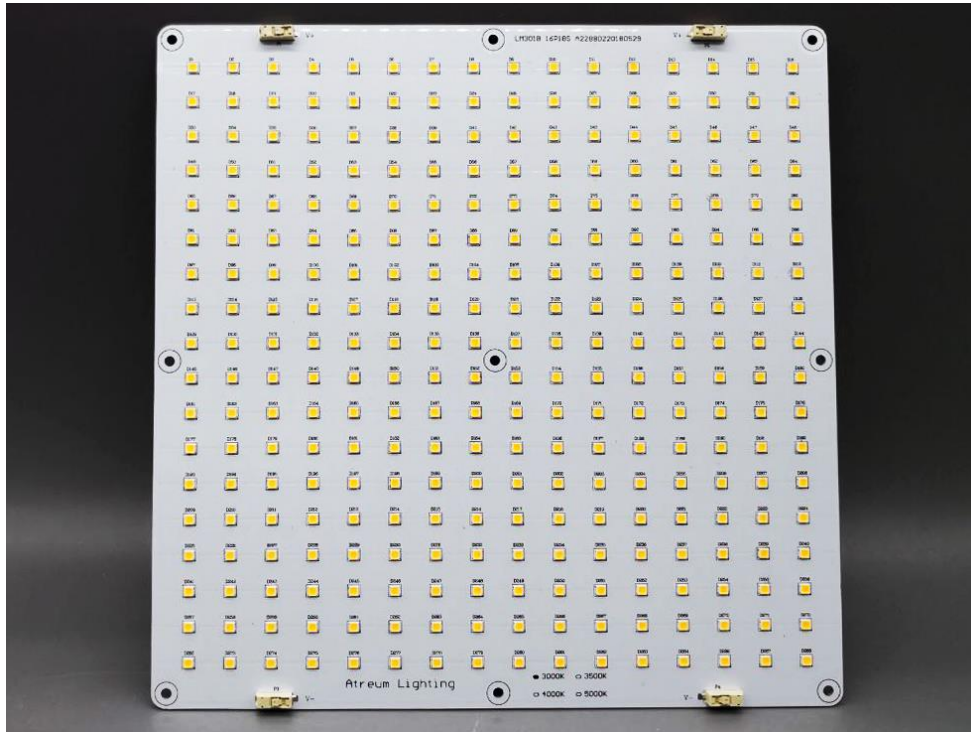


# Atreum Lighting 288.2 LED Board Data Sheet

Revision 2018.10.15



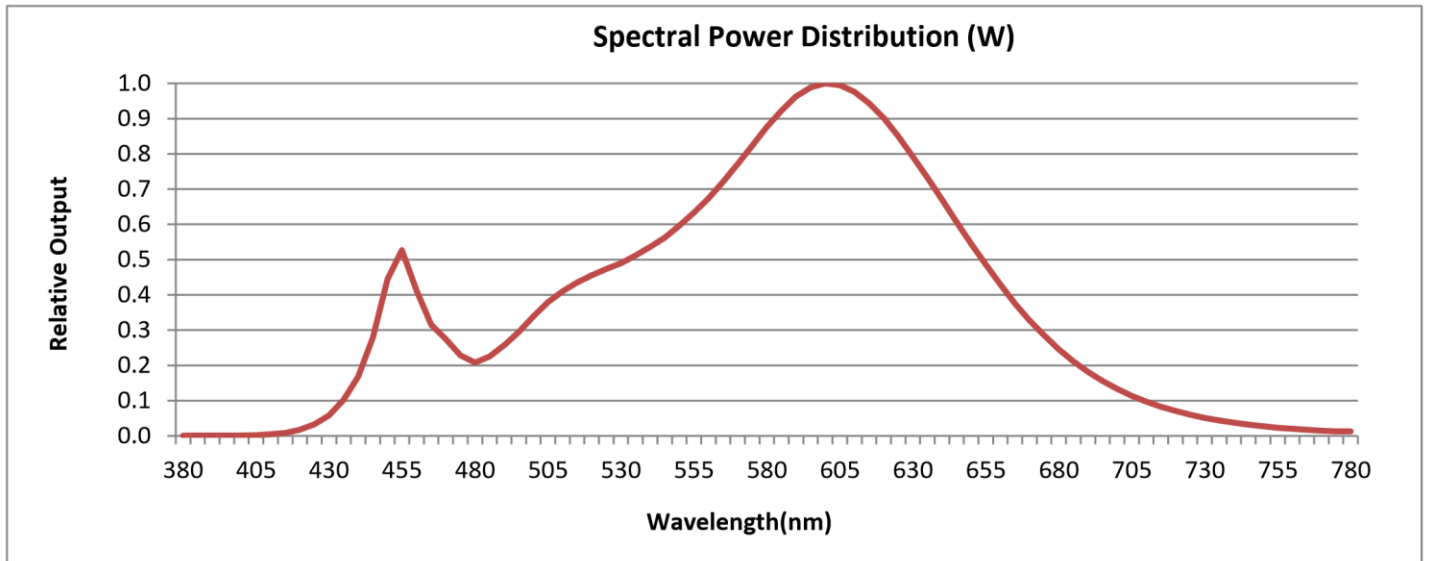
## Basic Information

Item	Rating	Unit
Rated Lifetime	>50,000	hours
Ingress Protection (IP)	No Rating	---
Ambient / Operating Temperature	-20 to +50	°C
Storage Temperature	-30 to +80	°C

## Optical Characteristics

Item	Rating (Typical)	Unit	Remark
Correlated Color Temperature (CCT)	3000	K	MacAdam 3-Step
Color Rendering Index (CRI)	80	---	
Total PPF	298	μmol/s	Measured range: 400nm - 700nm
Total Radiant Flux	63.44	W	Measured range: 380nm - 780nm
Luminous Flux	21275	lm	Measured range: 380nm - 780nm
Luminous Efficacy	170.78	lm/W	
PPF Efficacy	2.39	μmol/Joule	
Light Distribution Angle	120	degrees	

## Spectrum



## Electrical Characteristics

Current (mA)	Voltage (VDC)	Board Power (W)	Efficacy (lm/W)	Remark
500	47.34	23.7	198.8	@ 55°C
1050	48.60	51.0	189.9	
1400	49.50	69.3	184.3	
2100	50.94	107.0	174.9	
2200	51.12	112.5	173.8	
2800	51.84	145.2	168.1	

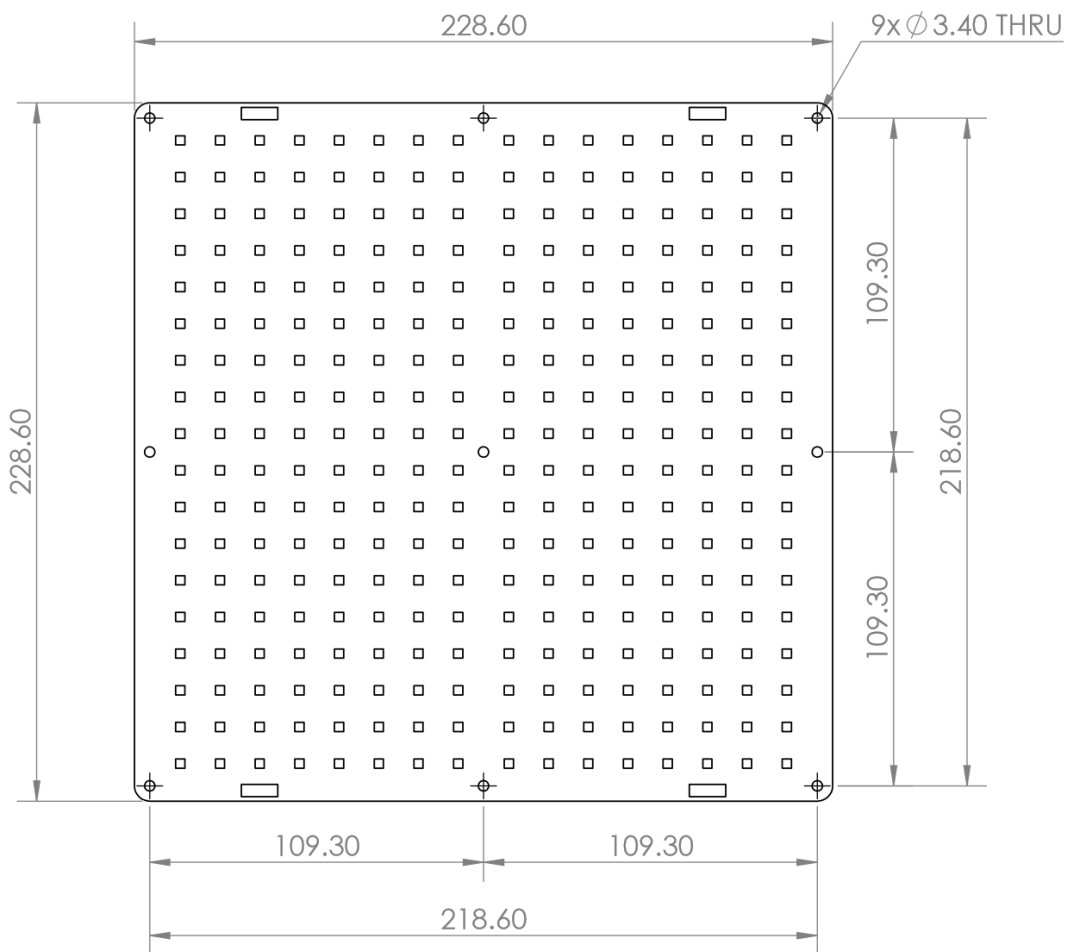
## Mechanical Specifications

Specification	Value
<b>Board Dimensions</b>	228.6 mm x 228.6 mm (9.0 in x 9.0 in)
<b>Weight</b>	390 g (13.8 oz)
<b>PCB Material</b>	Aluminum
<b>Diode Arrangement</b>	16P18S

### Recommended Mounting Hardware

Hardware	Quantity
<b>Button Head Cap Screw</b> Thread: M3 x 0.7mm	9

### Dimensioned Drawing (Units in mm)

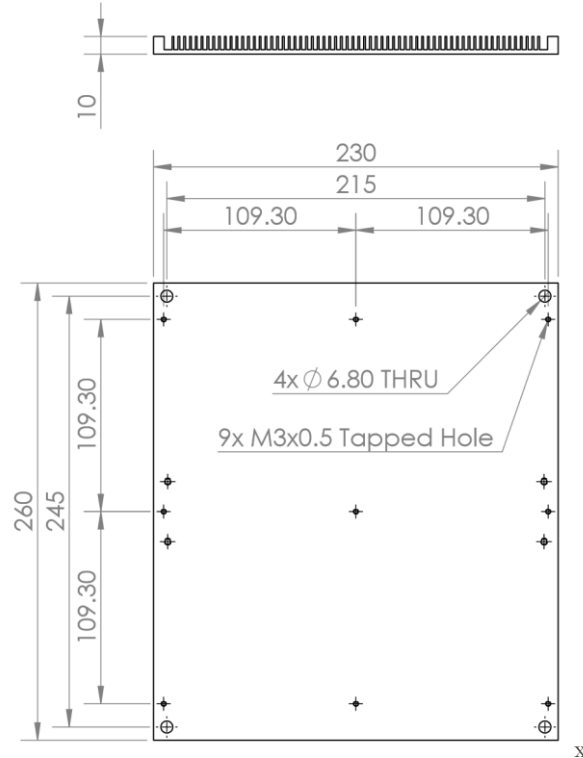


## QU-2 Heatsink Specifications (Optional)



Specification	Value
Dimensions	260mm x 230mm x 10mm (10.24 in x 9.06 in x 0.39 in)
Weight	737 g (26 oz)
Material	Aluminum

Dimensioned Drawing (Units in mm)



## Contact Information

---

### **Atreum Lighting**

General Inquiries: [hello@atreumlighting.com](mailto:hello@atreumlighting.com)

Support: [support@atreumlighting.com](mailto:support@atreumlighting.com)

Sales: [sales@atreumlighting.com](mailto:sales@atreumlighting.com)