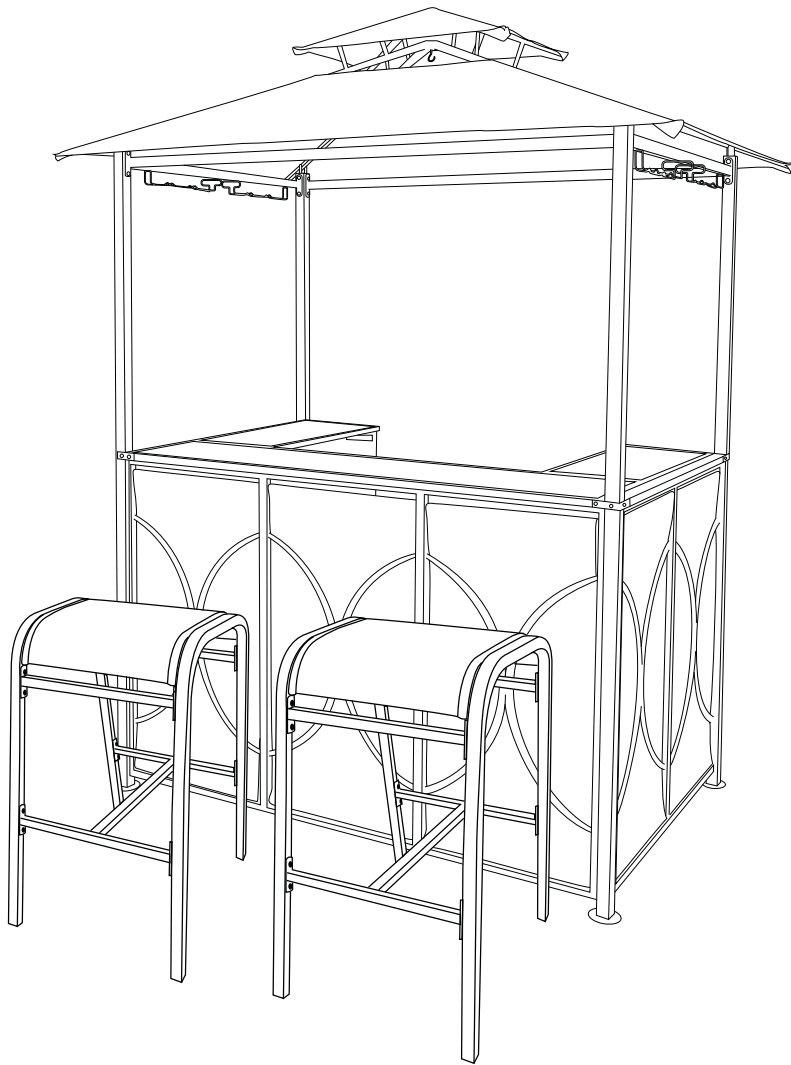


# 3 Piece Bar Set

*Steel Frame with Powder Coating*



## INSTRUCTIONS

<i>Chair Parts</i>	3
<i>Chair Assembly</i>	4-5
<i>Bar Parts</i>	6-7
<i>Bar Assembly</i>	8-17
<i>Warranty</i>	18-19

Distributed By T.D.C. USA INC.

Fairfield, NJ 07004

©2016 All Rights Reserved. Made in China

?/Comments: 1-800-599-8898 9am-5pm EST

[www.tdcusainc.com](http://www.tdcusainc.com)

*Customer Service*

**1-800-599-8898**

# Getting Started

Identify all parts packaged in carton against the parts list. Remove all protective materials and place parts on a non-abrasive surface to avoid scratching. If any parts are missing or damaged, DO NOT attempt to assemble. Please contact our customer service center (Monday-Friday 9:00am – 5:00pm EST) at 1-800-599-8898 or email: support@tdcusainc.com.

***Caution: Read all the instructions before assembly. Failure to do so may result in faulty assembly and potential injury! Assemble product on a soft, non-abrasive surface such as a carpet or cardboard to avoid damaging the item. Seek assistance to assemble bulky or heavy items. After final alignment, make sure all bolts and nuts are securely tightened with screw covers pressed in place.***

## Freight & Packing:

TDC will be responsible for shipping, handling, and packaging charges for all valid warranty claims.

## Care & Maintenance:

Be careful to never allow water build up in frames as this will cause corrosion and freeze damage in cold climates. Wash all frames with a solution of mild soap and water. Rinse with clean water and dry with a soft absorbent cloth towel. Frames can be treated with a liquid wax for maximum protection against UV rays and/or salty damp air. If your set includes cushions, slings, and/or an umbrella, they may be cleaned by hand with a solution of soap and water with a clean water rinse.

## EXCLUSION:

- Damage caused by acts of nature
- Wind damage
- Failure caused by unreasonable, unanticipated or abusive use
- Failure caused by a lack of reasonable and necessary care and maintenance
- Normal fade of fabrics, upholstery or woven materials
- Glass table tops
- Bursting or cracking of tubing due to exposure to water and freezing temperatures
- Changes in wood color due to the natural aging of the wood

**Lack of original receipt will void warranty.**

**Customer Service: Monday-Friday 9:00am-5:00pm EST**

**By Phone: 800-599-8898**

**By E-mail: support@tdcusainc.com**

## LIMITED WARRANTY

Please contact our service hotline by phone, email or fax before sending the device. This allows us to provide support in the event of possible operator errors.

All furniture manufactured and sold by TDC USA, Inc. is warranted to the original purchaser against defects in workmanship and materials. If a product manufactured by TDC fails during the first year from date of purchase under the terms of our limited warranty, TDC will replace the item at no charge. After one year, it will be the original purchasers' responsibility to pay for freight and packing. TDC reserves the right, in the case of discontinued or out of production models, to replace with an item of similar quality. (Glass breakage is not warranted.)

**Note: You must retain original receipt to obtain warranty!**

### Frames:

Frames are warranted against defects in materials and workmanship from the date of original purchase. Damage to frames or welds due to commercial use, improper assembly, exposure to water and sub-freezing temperatures, and/or abuse are not covered.

### Fabric:

Fabric on cushions, slings, and umbrellas is warranted against separation at the seams. Fading, mildew, and/or discoloration due to exposure to elements, chemicals, and spills are not covered.

### Powder coat and/or Paint:




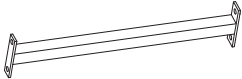
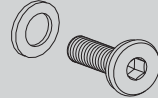
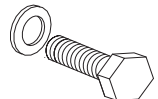

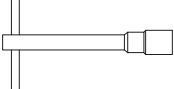
The finish is warranted against blistering, peeling, or cracking. Fading resulting from exposure to elements, chemicals, and spills are not covered. Scratches and chips due to normal wear and use are not covered.

### Umbrella:

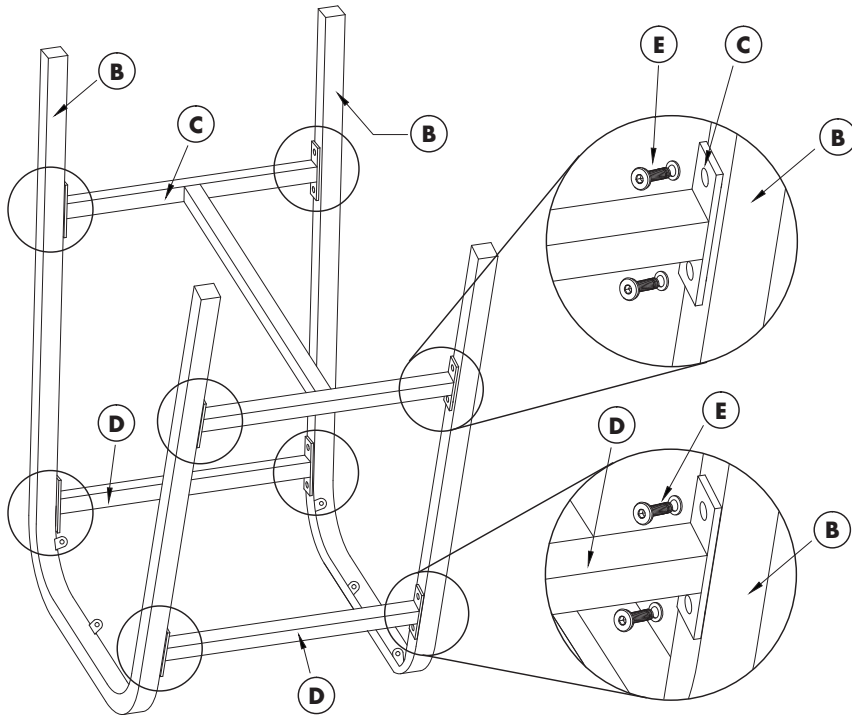
Umbrella frames are warranted against manufacturer's defects in workmanship and materials.

Safety Warning! Umbrellas must be closed when not in use and taken down in windy conditions.

## Chair Parts

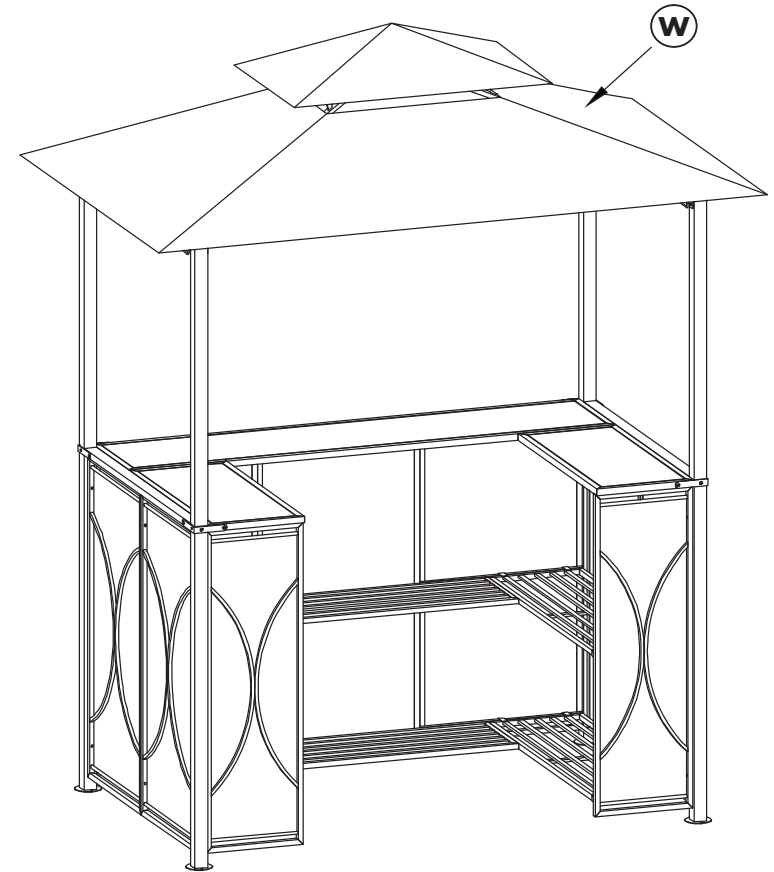
<b>A</b>	Seat		1 pcs
<b>B</b>	Chair Legs		2 pcs
<b>C</b>	Cross Support		1 pcs
<b>D</b>	Leg Support		2
<b>E</b>	M6 * 15 Screw & Washer		16
<b>F</b>	M6 * 25 Screw & Washer		6
<b>G</b>	Hex Key		1
<b>H</b>	Wrench		1

## Step 1:



Insert Screws & Washers M6x15 (E) through Cross Support (C) and into the lower screw holes of Chair Leg (B). Do not overtighten.  
 Insert Screws & Washers M6x15 (E) through Leg Support (D) and into the upper screw holes of Chair Leg (B). Do not overtighten.

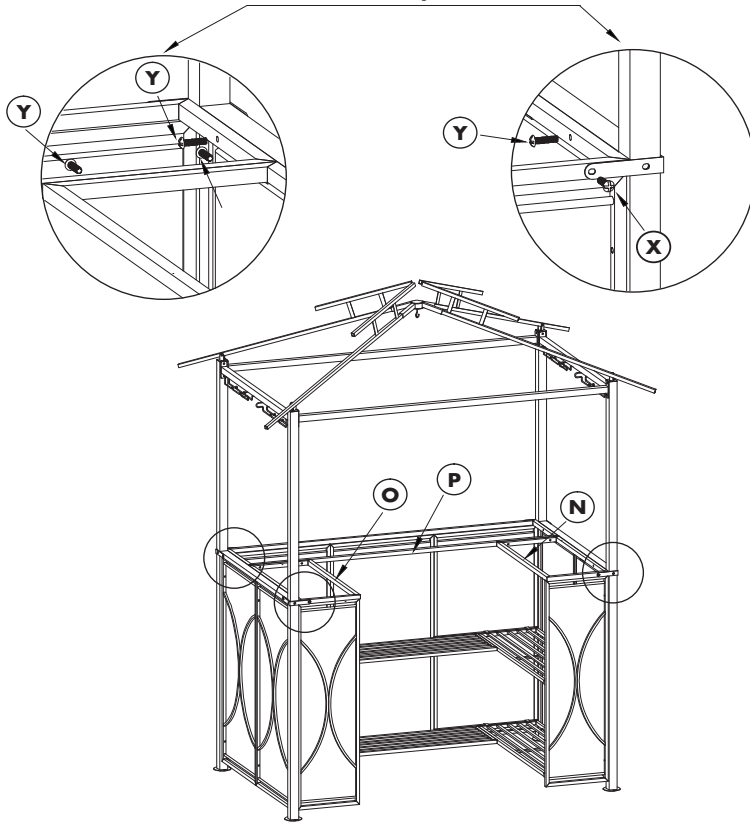
## Step 12:



Place the larger Canopy (W) over lower bar of Two Tier Ribs (D). Unfold the larger Canopy (W) completely so that pockets underneath canopy fit into rib ends.  
 Run two Stakes (V) through designated holes at bottom of Poles (A) and into the ground for extra stability.

## Step 11:

Do not put the glasses onto the shelves until this step is finished



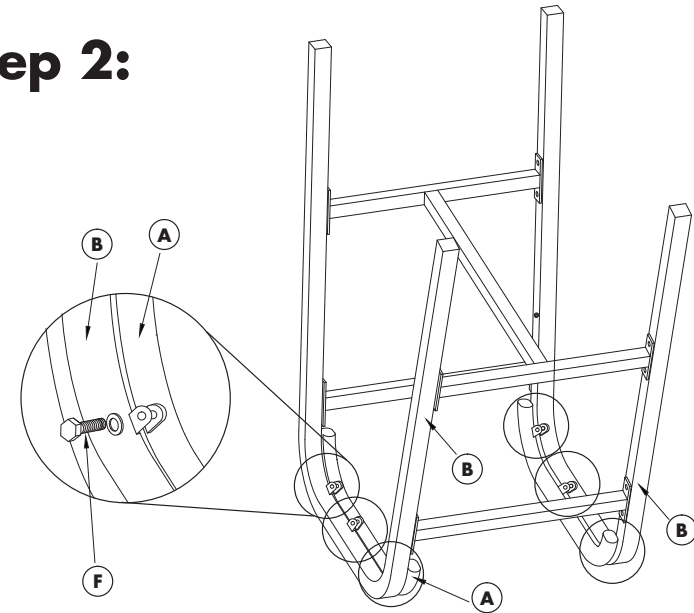
Remove glass from Counter (O), Counter (N), and from Bar (P) and set those out safely of your work area.

Place Counter (O) frame over assembled Panels (J) and Panel (H). Insert Screw M6x15 (X) through Corner Brace (S) and into Counter (O).

Place Counter (N) frame over assembled Panels (J) and Panel (I). Insert Screw M6x15 (X) through Corner Brace (S) and into Counter (N).

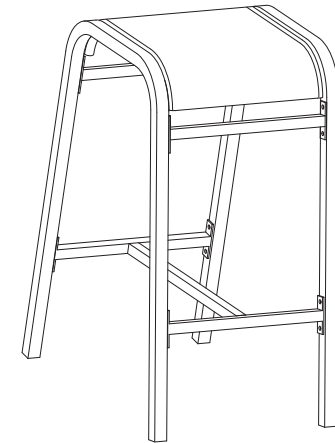
Place Bar (P) over assembled Panels (F & G) so that they are aligned with Counter (O) and Counter (N). Insert two Screws M6x28 (Y) through Bar (P) and into Counter (O). Insert two Screws M6x28 (Z) through Bar (P) and into Counter (N). Insert one Screw M6x28 (Y) through either end of Bar (P) and into assembled Panels (J). Tighten all screws that have been left loose throughout the building process.

## Step 2:



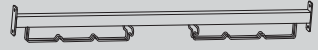


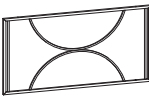
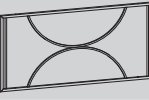
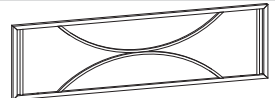
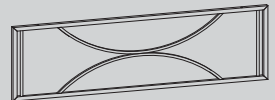
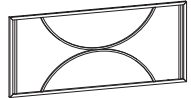
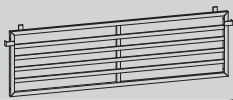




Attach the Seat (A) to the Chair Legs (B) with Screws M6x25 & Washer (F). Tighten all screws.

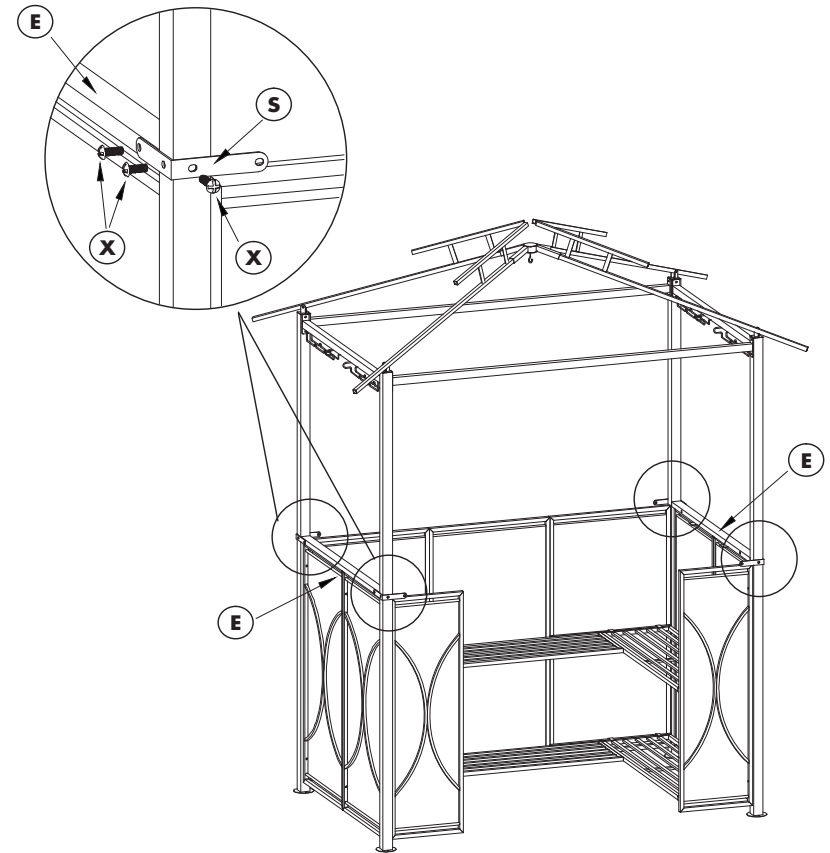
## Step 3:



Places right side up so that it can be used.

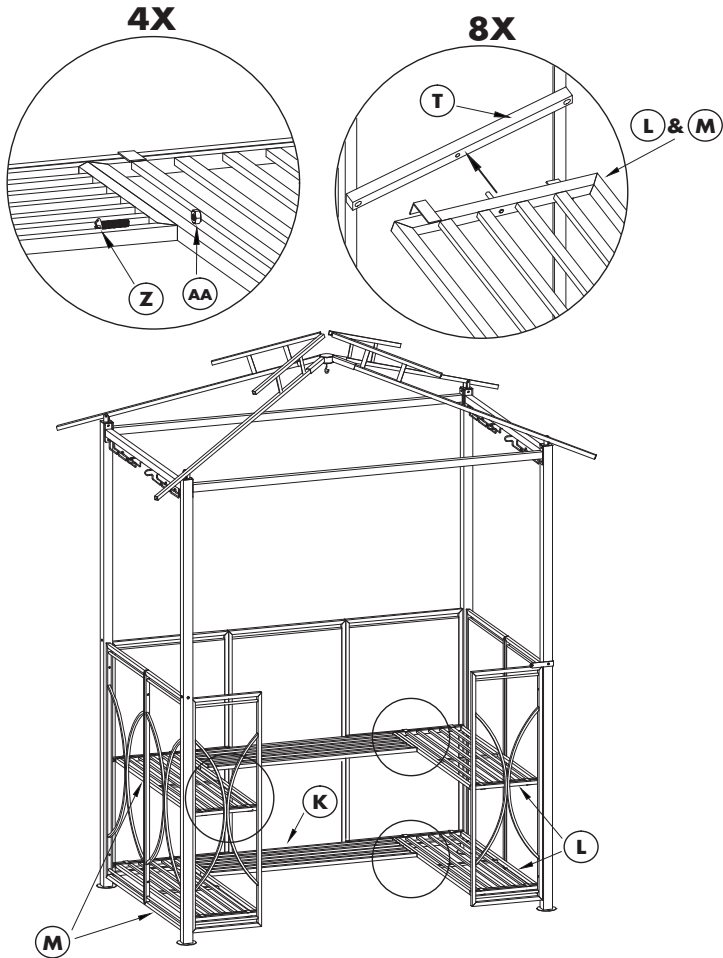
<b>A</b>	Pole		4pcs
<b>B</b>	Crossbeam		2pcs
<b>C</b>	Rack		2pcs
<b>D</b>	Two Tier Ribs		4pcs
<b>E</b>	Beam		2pcs
<b>F</b>	Panel		2pcs
<b>G</b>	Panel		1pcs
<b>H</b>	Panel		1pcs
<b>I</b>	Panel		1pcs
<b>J</b>	Panel		4pcs
<b>K</b>	Shelves		2pcs
<b>L</b>	Shelves		2pcs
<b>M</b>	Shelves		2pcs

## Step 10:



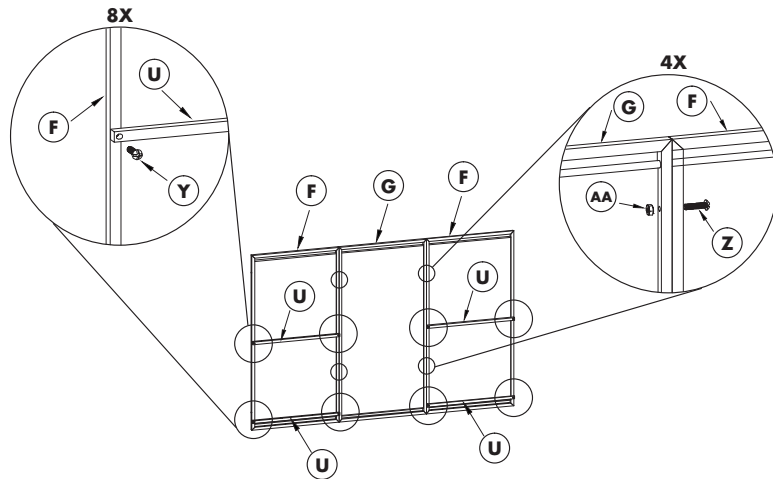
Place Beam (E) over assembled Panels (J). Insert two Screws M6x15 (X) through Corner Brace (S) and into Pole (A). Insert additional Screw M6x15 (X) through Corner Brace (S) and into Beam (E). Follow these same steps to assemble opposite end of Beam (E) to second Pole (A). Follow these same steps to assemble second Beam (E) with remaining two Poles (A). Do not tighten fully.

# Step 9:



Note the position of the assembled bar frame in the diagram for this step. Place Shelves (K) midway and at the bottom of assembled Panels (F & G). Place Shelves (L) midway and at the bottom of assembled Panels (J). Place Shelves (M) midway and at the bottom of assembled Panels (J). These shelves connect together with attached interlocking latches. Insert Screws M6x40 (Z) through shelves as seen in the diagram provided.  
Do not tighten fully.

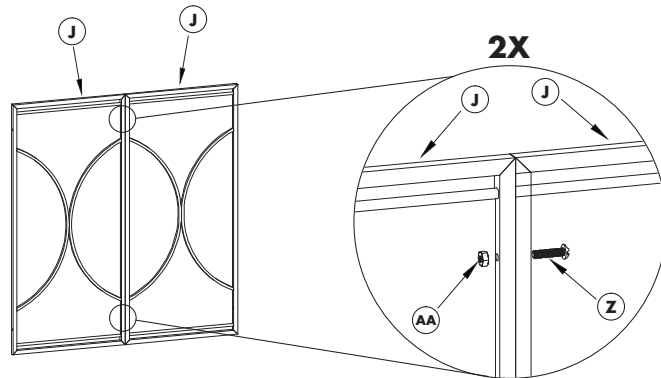
<b>N</b>	Counter		1 pcs
<b>O</b>	Counter		1 pcs
<b>P</b>	Bar		1 pcs
<b>Q</b>	Connector		1 pcs
<b>R</b>	Rib Brace		4 pcs
<b>S</b>	Corner Brace		4 pcs
<b>T</b>	Panel Brace		4 pcs
<b>U</b>	Panel Brace		4 pcs
<b>V</b>	Stake		4 pcs
<b>W</b>	Canopy		1 pcs
<b>X</b>	M6*15 Screw		36 pcs
<b>Y</b>	M6*28 Screw		44 pcs
<b>Z</b>	M6*40 Screw		12 pcs
<b>AA</b>	Nut		16 pcs

**Step 1:**

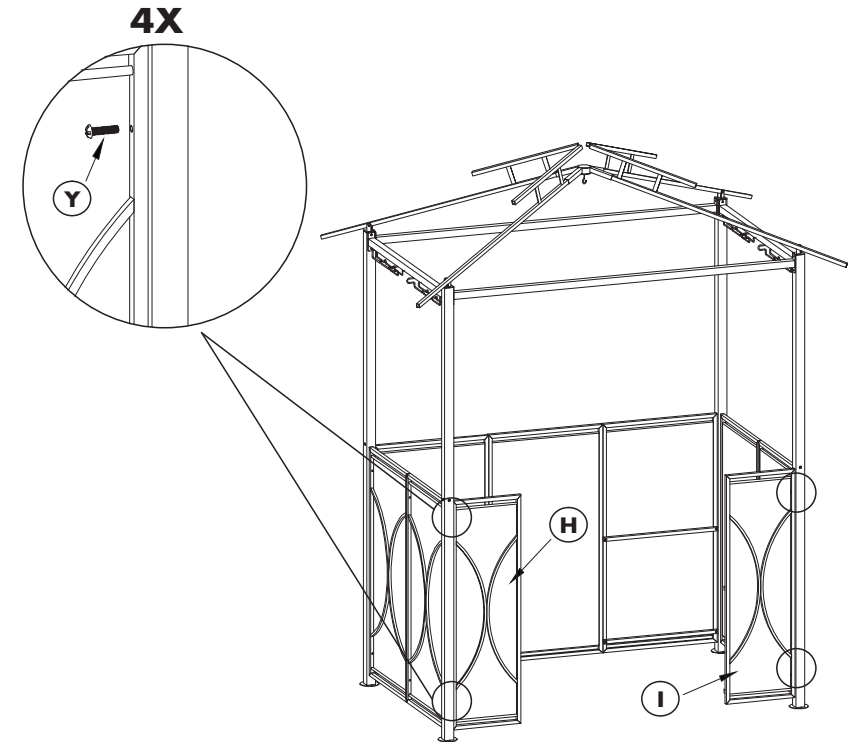
Insert two Screws M6x28 (Y) through either end of Panel Brace (U) and into the middle and bottom of Panel (F).

Follow these same steps to assemble the second Panel (F) with the two remaining Panel Braces (U).

Insert two Screws M6x40 (Z) through the side of Panel (F) and into the side of Panel (G); tighten down using Nut (AA).

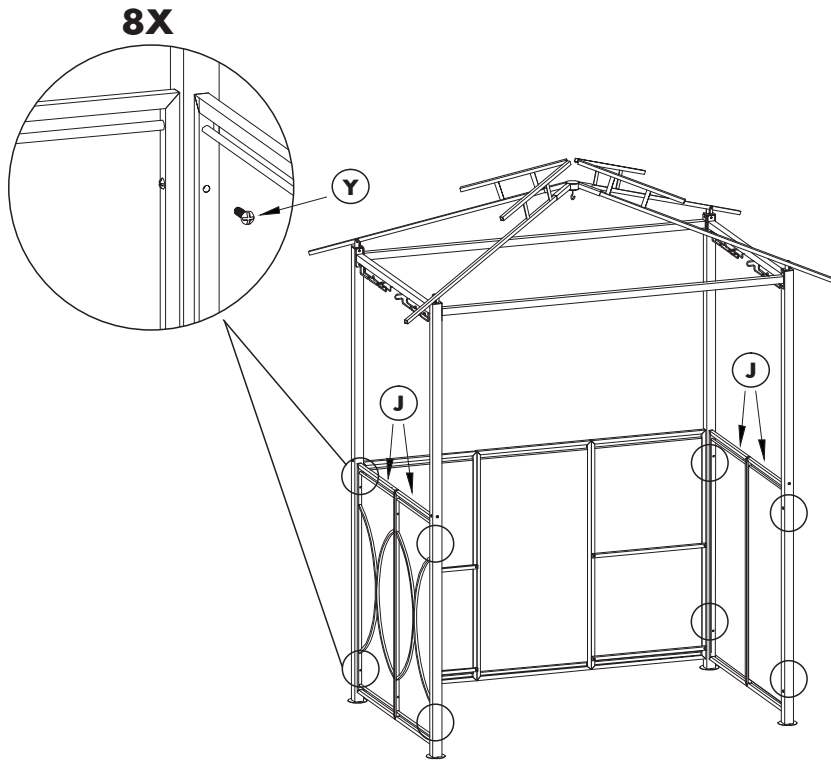
**Step 2:**

Insert two Screws M6x40 (Z) through the side of Panel (J) and through a second Panel (J); tighten down using Nut (AA). Follow these steps to assemble remaining two Panels (J).

**Step 8:**

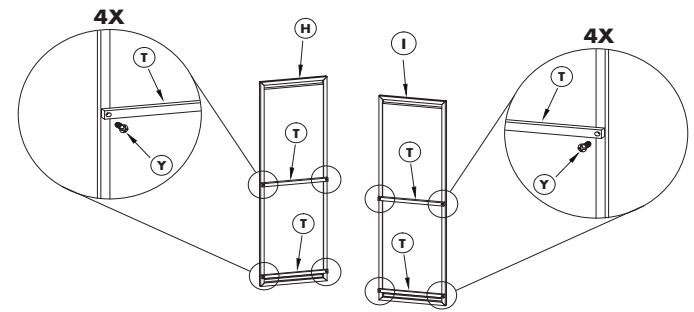
Note the position of the assembled bar frame in the diagram for this step. Insert two Screws M6x28 (Y) through side of assembled Panel (H) and into Pole (A). Follow these same steps to assemble Panel (I) with opposing Pole (A). Do not tighten fully.



**Step 7:**

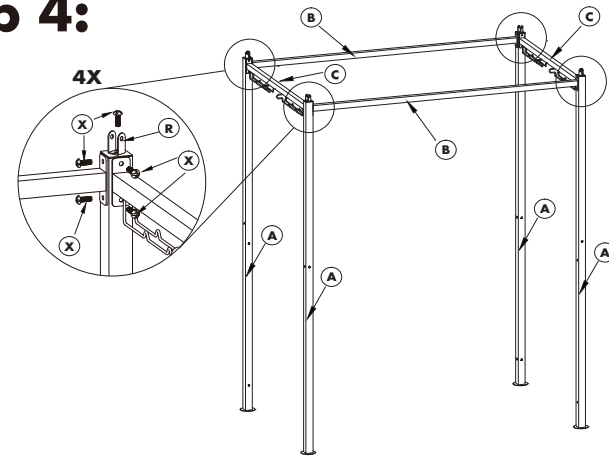
Insert two Screws M6x28 (Y) through side of assembled Panels (J) and into Pole (A). Follow this step to connect opposite end of Panels (J) and into second Pole (A). Follow these same steps to assemble Poles (A) with the second set of Panels (J).

Do not tighten fully.

**Step 3:**

Insert two Screws M6x28 (Y) through either end of Panel Brace (T) and into the middle and bottom of Panel (H).

Follow these same steps to assemble Panel (I) with the two remaining Panel Braces (T).

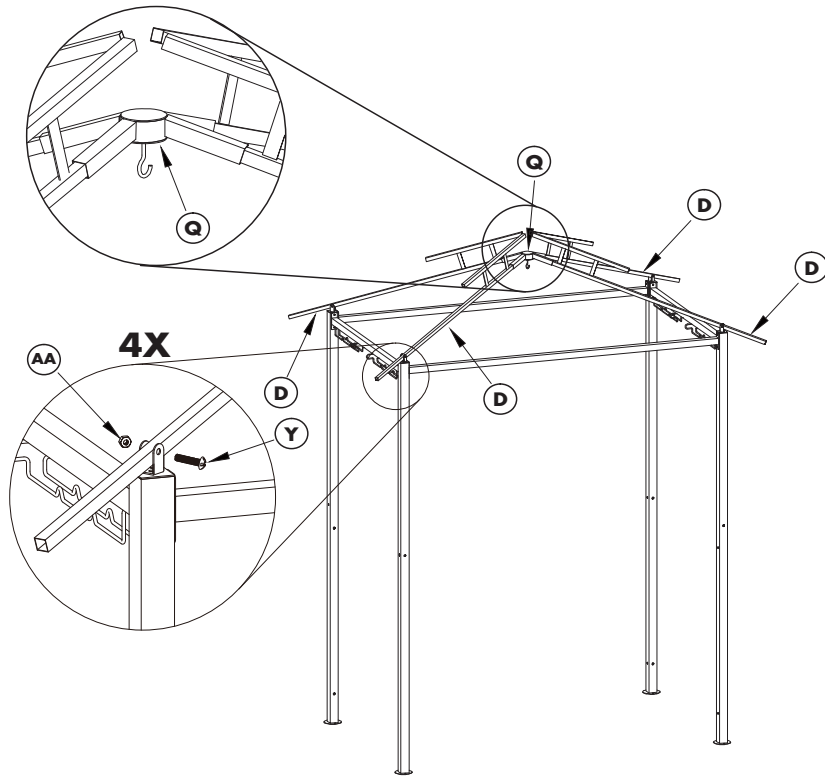
**Step 4:**

Screw Rib Brace (R) to the top of each Pole (A) using Screws M6x15 (X).

Insert two Screws M6x15 (X) through one end of Rack (C) and into upper portion of Pole (A). Follow this step to connect opposite end of Rack (C) into a second Pole (A). Follow these same steps to assemble Pole (A) with the second Rack (C) and Pole (A).

Insert two Screws M6x15 (X) through one end of Crossbeam (B) and into upper portion of Pole (A). Follow this step to connect opposite end of Crossbeam (B) to Pole (A). Follow these same steps to assemble second Crossbeam (B) with remaining two Poles (A). Do not tighten fully.

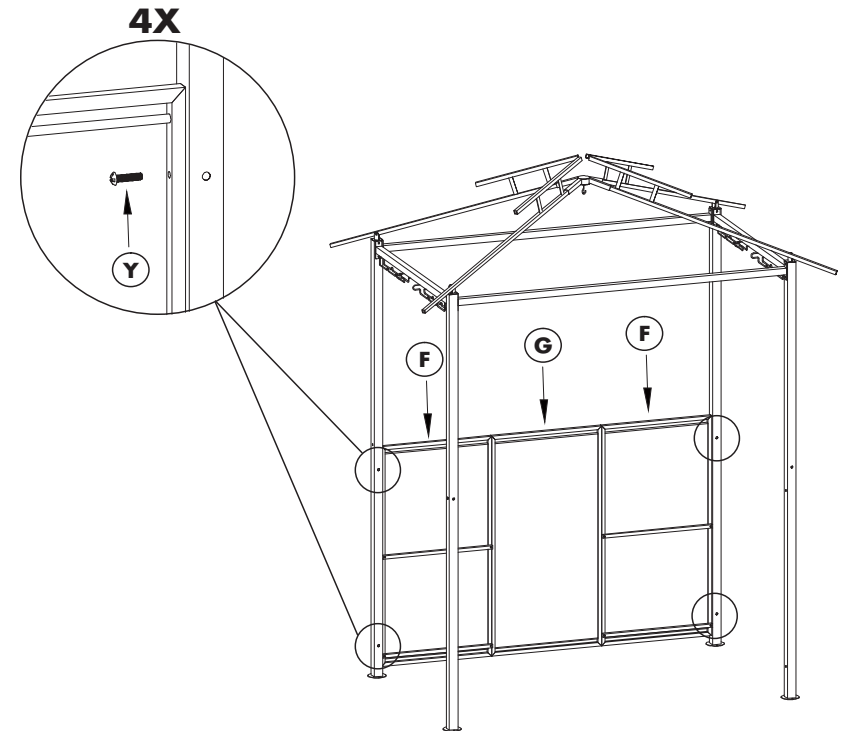
## Step 5:



Insert Two Tier Ribs (D) into tubes of Connector (Q). Place assembled ribs with connector over the height of assembled frame.  
Place exposed ends of Two Tier Ribs (D) in between Rib Braces (R). Insert Screws M6x28 (Y) through Rib Braces (R) and through Two Tier Ribs (D) and close with Nut (AA).

Do not tighten fully.

## Step 6:



Insert two Screws M6x28 (Y) through side of assembled Panels (F & G) and into Pole (A). Follow this step to connect opposite end of Panels (F & G) and into second Pole (A). Do not tighten fully.