

GARDENLINE®

Grill Gazebo

User Guide



Now that you have purchased a Gardenline® product you can rest assured in the knowledge that as well as your 2 year parts and labor guarantee you have the added peace of mind of dedicated helplines and web support.

AFTER SALES SUPPORT

☎ 1800 599 8898 support@tdcusainc.com

MODEL: 43472-14

2

YEAR WARRANTY

Contents

- 1 Introduction
- 2 Parts List
- 3 Getting Started
- 4 Assembly Instructions
- 5 Instructions for Use
- 6 Warranty

Introduction

1

Congratulations!

You have made an excellent choice with the purchase of this quality Gardenline® product. By doing so you now have the assurance and peace of mind which comes from purchasing a product that has been manufactured to the highest standards of performance and safety, supported by the high quality standards of ALDI.









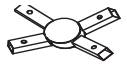
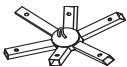


We want you to be completely satisfied with your purchase so this Gardenline® product is backed by a comprehensive manufacturer's 2 year warranty and an outstanding after sales service through our dedicated Helpline.

We hope you will enjoy using your purchase for many years to come.

If you require technical support or in the unlikely event that your purchase is faulty please telephone our Helpline for immediate assistance. Faulty product claims made within the 2 year warranty period will be repaired or replaced free of charge provided that you have satisfactory proof of purchase (keep your receipt). This does not affect your statutory rights. However, be aware that the warranty will become null and void if the product is found to have been deliberately damaged, misused or disassembled.

Parts List












2

PARTS			
	Picture	Description	Qty
A		Pole A	1
B		Pole B	1
C		Pole C	2
D		Long Arch	2
E		Short Arch	2
F		Shelf	2
G		Canopy Two Tier Rib	4
H		Canopy Rib	2
I		Top Canopy Connector	1
J		Main Canopy Connector	1
K		Rib Brace	6
L		Shelf Brace	4

4

Parts List

2

PARTS			
	Picture	Description	Qty
M		Utensil Rack	1
N		Stake	8
O		Bottle Opener	1
P		Pole Foot	4
Q		Top Canopy	1
R		Main Canopy	1
S		Black Zinc Screw (M6*15 mm)	33
T		White Zinc Screw (M6*15 mm)	2
U		Screw (M6* 28 mm)	6
V		Knob Screw	8
W		Bolt	6

5

Getting Started

3

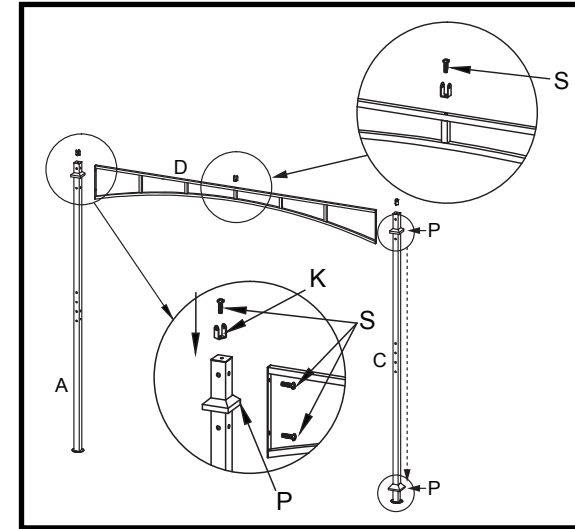
Identify all parts packaged in carton against the parts list. Remove all protective materials and place parts on a non-abrasive surface to avoid scratching. If any parts are missing or damaged, **DO NOT** attempt to assemble. Please contact our customer service center (Monday-Friday 9:00am – 5:00pm EST) at 1-800-599-8898.

Caution

Read all the instructions before assembly. Failure to do so may result in faulty assembly and potential injury! Assemble product on a soft, non-abrasive surface such as a carpet or cardboard to avoid damaging the item. Seek assistance to assemble bulky or heavy items. After final alignment, make sure all bolts and nuts are securely tightened with screw covers pressed in place.

Assembly Instructions

4



1. Place a Pole Foot (P) through Pole A (A) and slide the Pole Foot (P) down the length of Pole A (A) until it reaches the bottom of the pole. Follow this same procedure with Pole B (B) and both of Pole C (C).

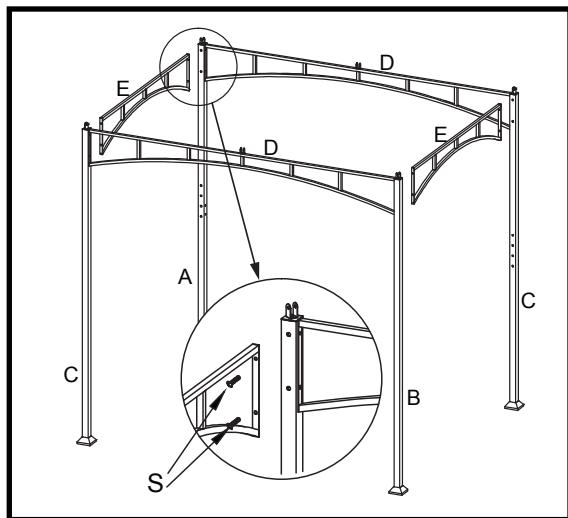
Screw in a Rib Brace (K) at the top of Pole A (A), using M6x15mm screw (S). Follow this same procedure with Pole B (B) and both of Pole C (C).

Screw in a Rib Brace (K) into the center of a Long Arch (D), using M6x15mm screw (S). Follow this same step with the second Long Arch (D).

Screw in one side of a Long Arch (D) into the top of Pole A (A), using two M6x15mm screws (S). Screw in the other side of the same Long Arch (D) into the top of Pole C (C), using two M6x15mm screws (S).

Assembly Instructions

4



2. Screw in one side of Long Arch (D) into the top of Pole B (B), using two M6x15mm screws (S). Screw in the other side of the same Long Arch (D) into the top of the second Pole C (C), using two M6x15mm screws (S).

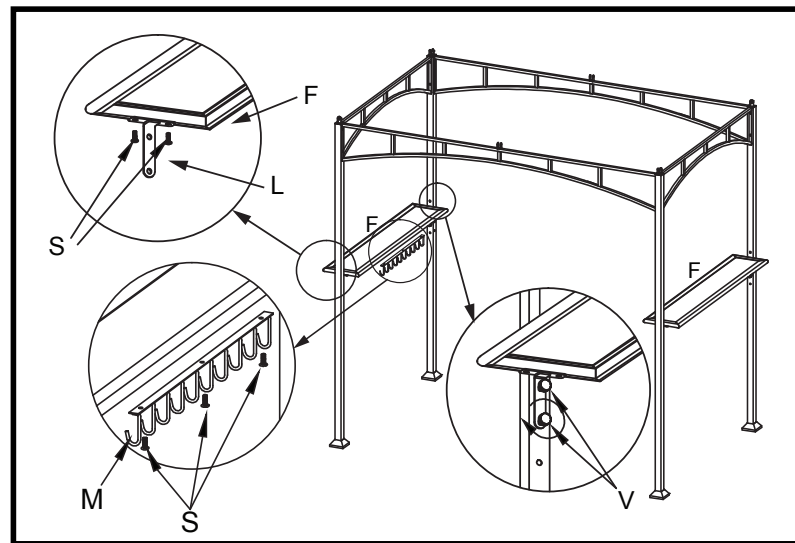
Screw in one side of a Short Arch (E) into the second set holes at the top of Pole A (A), using two M6x15mm screws (S). Screw in the other side of the same Short Arch (E) into the top of Pole C (C), using two M6x15mm screws (S).

Screw in one side of a Short Arch (E) into the second set holes at the top of Pole B (B), using two M6x15mm screws (S). Screw in the other side of the same Short Arch (E) into the top of the second Pole C (C), using two M6x15mm screws (S).

8

Assembly Instructions

4



3. Screw in a Shelf Brace (L) onto the bottom of either end of the Shelf (F), using two M6x15mm screws (S). Follow this same step with the second Shelf (F).

Screw in Utensil Rack (M) with hooks facing inward into the bottom of one Shelf (F), using three M6x15mm screws (S).

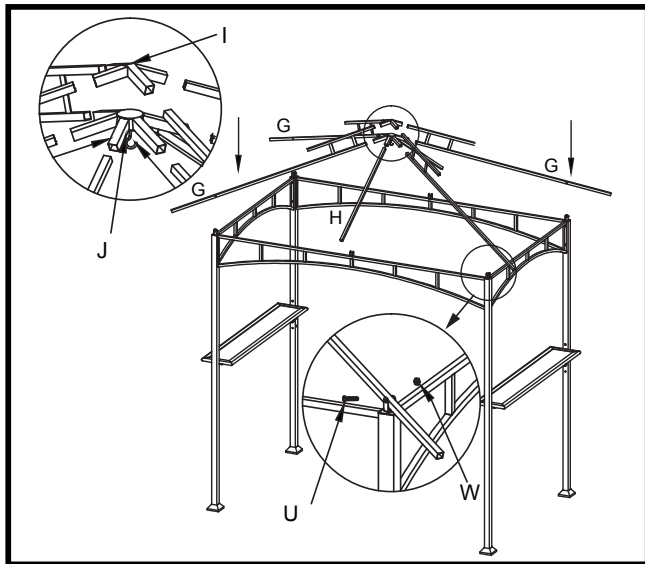
Place the Shelf (F) with the Utensil Rack (M) between Pole A (A) and Pole C (C). Tighten four Knob Screws (V) through the Shelf Braces (L) attached to the Shelf (F) and to Pole A (A) and Pole C (C).

Place the second Shelf (F) in between Pole B (B) and the second Pole C (C). Tighten four Knob Screws (V) through the Shelf Braces (L) attached to that Shelf (F) and to Pole B (B) and the second Pole C (C).

9

Assembly Instructions

4



4. Insert the longer rib of the four Canopy Two Tier Ribs (G) into the longer ends of the Main Canopy Connector (J) until they snap into place and will not budge. Insert the shorter rib of the four Canopy Two Tier Ribs (G) into the Top Canopy Connector (I) until they snap into place and will not budge.

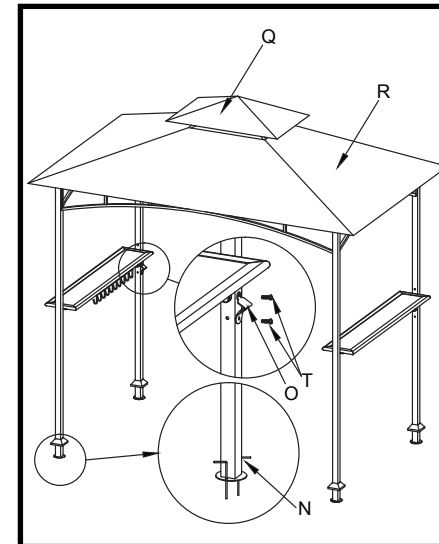
Insert two Canopy Ribs (H) into the shorter ends of the Main Canopy Connector (J) until they snap into place and will not budge. Place the longer ribs of the four Canopy Two Tier Ribs (G) in between the Rib Bracers (K) that are at the tops of Pole A (A), Pole B (B), and both Pole C (C). Insert M6x28mm screw (U) through each Rib Bracer (K) and through each long rib of the Canopy Two Tier Ribs (G) and tighten them down with a Nut (W).

Place the Canopy Ribs (H) in between the Rib Bracers (K) that are at the tops of both Long Arches (D). Insert M6x28mm screw (U) through each Rib Bracer (K) and through each long rib of the Canopy Ribs (H) and tighten them down with a Nut (W).

10

Assembly Instructions

4



5. Screw in Bottle Opener (O) with the bottle opener hole facing the ground into Pole A (A), underneath the Shelf (F) with Utensil Rack (M) attached to it, using two [white zinc] M6x15mm screws (T). Lift the Pole Foot (P) up from each pole and insert a Stake (N) through the holes at the bottoms of those poles. Place each Pole Foot (P) back in its place covering the Stakes (N).

Place the Top Canopy (Q) over the shorter ribs of part G and insert the ends of those ribs into the canopy pockets found underneath the Top Canopy (Q).

Place the Main Canopy (R) over the longer ribs of parts G and H and insert the ends of those ribs into the canopy pockets found underneath the Main Canopy (R).

11

Two Year Limited Warranty

All furniture manufactured and sold by Aldi is warranted to the original purchaser against defects in workmanship and materials, provided the item was a factory sealed at the time of purchase and is maintained with care and used only for personal purposes. If a product fails during the first two years from date of purchase under the terms of our limited warranty, the manufacturer will replace the item at no charge. If the item was purchased as an open box, previously returned, or clearance item, the purchaser may obtain replacement parts for a nominal cost if parts are still available. After two years, it will be the original purchasers' responsibility to pay for freight and packing. The manufacturer reserves the right, in the case of discontinued or out of production models, to replace with an item of similar quality. Warranty is to the original purchaser and is non-transferable.

Note: You must retain original receipt to obtain warranty!

Frame

The frame is warranted against defects in materials and workmanship from the date of original purchase. Damage to frame or welds due to commercial use, improper assembly, exposure to water and sub-freezing temperatures, and/or abuse are not covered.

Steel components are treated with rust inhibiting paint that protects them from rust. However, due to the nature of steel, rusting will occur if the protective coating is scratched. It is recommended that care be taken when assembling and handling the product in order to prevent the paint from being scratched. If scratching or damage

occurs, it is recommended that the area be touched up immediately with rust inhibiting paint. Surface rust can be removed easily using a very light application of common cooking oil. If rusting occurs and is not treated correctly, the oxidation may start dripping onto the deck or patio. This may result in stains that are difficult to remove.

Fabric

Umbrella fabric is warranted against separation at the seams. Fading, mildew, and/or discoloration due to exposure to elements, chemicals, and spills are not covered.

Umbrella

Umbrella frames are warranted against manufacturer's defects in workmanship and materials.

Safety Warning! Umbrellas must be closed when not in use and taken down in windy conditions.

Powder coat and/or Paint

The finish is warranted against blistering, peeling, or cracking. Fading resulting from exposure to elements, chemicals, and spills are not covered. Scratches and chips due to normal wear and use are not covered.

Freight & Packing

The manufacturer will be responsible for shipping, handling, and packaging charges for all valid warranty claims.

Care & Maintenance

Be careful to never allow water build up in frames as this will cause corrosion and freeze damage in cold climates. Wash all frames with

Warranty

6

a solution of mild soap and water. Rinse with clean water and dry with a soft absorbent cloth towel. Frames can be treated with a liquid wax for maximum protection against UV rays and/or salty damp air. If your set includes cushions, slings, and/or an umbrella, they may be cleaned by hand with a solution of soap and water with a clean water rinse.

Exclusions

- Damage caused by acts of nature (weather damage)
- Wind damage
- Failure caused by unreasonable, unanticipated or abusive use
- Failure caused by a lack of reasonable and necessary care and maintenance
- Normal fade of fabrics
- Glass table tops
- Bursting or cracking of tubing due to exposure to water and freezing temperatures
- General frame rusting
- Lack of original receipt will void warranty.

Proof of purchase (dated register receipt and store name) is required for warranty claims. Lack of original receipt will void warranty.

Customer Service

Monday-Friday 9:00am-5:00pm EST

Phone: 800-599-8898

Fax: 973-227-7189

E-mail: support@tdcusainc.com

Web: www.tdcusainc.com

Address: 14 Madison Rd, Fairfield, NJ 07004

WARNING

KEEP ALL FLAME AND HEAT SOURCES AWAY FROM THIS TENT FABRIC. This tent is made with fabric that meets CPAI-84 specifications for flame resistance. It is not fire proof. The fabric will burn if left in continuous contact with any flame source. The application of any foreign substance to the tent fabric may render the flame-resistant properties ineffective.

GARDENLINE®

Grill Gazebo

Your details:

Name _____

Address _____

 _____ **E mail** _____

Date of purchase* _____

* Please keep your receipt with this warranty card. In order to validate warranty, you must include a copy of your receipt.

Location of purchase _____

Name of Product: _____

Description of malfunction:

Return your completed warranty card and a copy of your receipt to:

**TDC USA, Inc.
14 Madison Road
Fairfield, NJ 07004
United States of America**

AFTER SALES SUPPORT

 USA 1800 599 8898  support@tdcusainc.com

MODEL: 43472-14

Phone lines available
Monday to Friday
9am - 5pm EST.

2

YEAR WARRANTY