
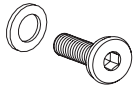
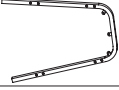
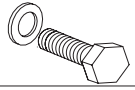


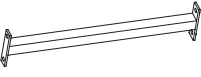
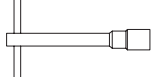


# ASSEMBLY INSTRUCTIONS

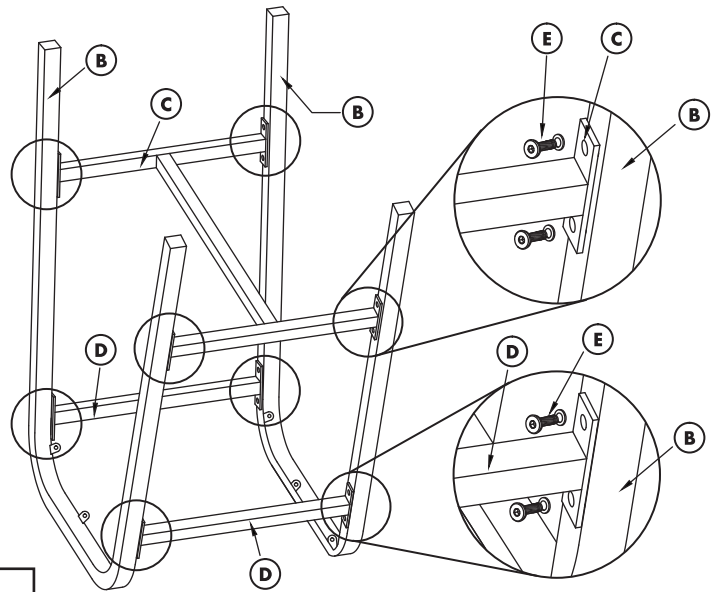
Item # 21882 - SET OF 2 BAR STOOLS

## PARTS LIST

<b>A</b>	Seat		1 pcs	<b>E</b>	M6 * 15 Screw & Washer		16
<b>B</b>	Chair Legs		2 pcs	<b>F</b>	M6 * 25 Screw & Washer		6
<b>C</b>	Cross Support		1 pcs	<b>G</b>	Hex Key		1
<b>D</b>	Leg Support		2	<b>H</b>	Wrench		1

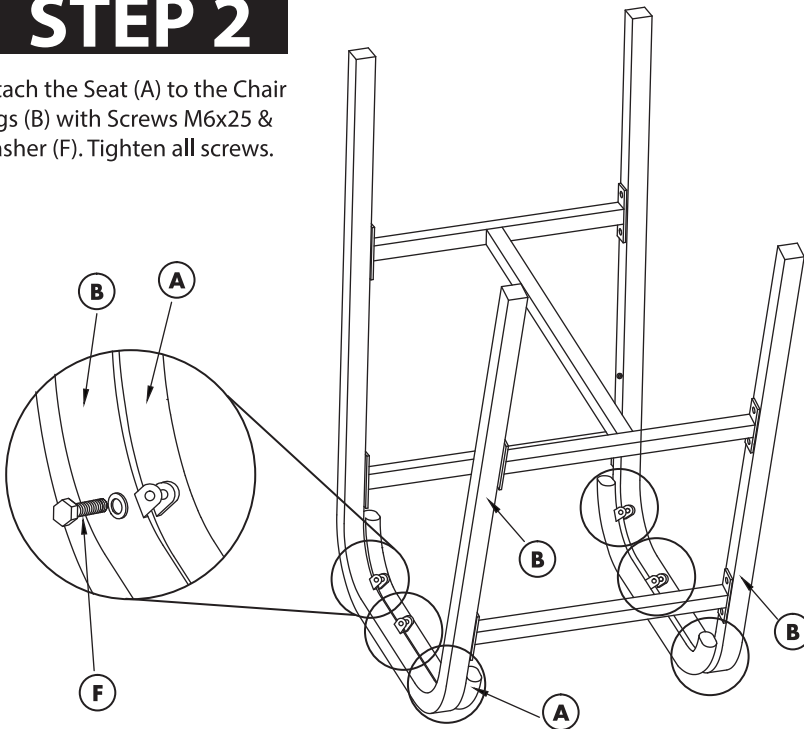
## STEP 1

Insert Screws & Washers M6x15 (E) through Cross Support (C) and into the lower screw holes of Chair Leg (B). Do not overtighten. Insert Screws & Washers M6x15 (E) through Leg Support (D) and into the upper screw holes of Chair Leg (B). Do not overtighten.



## STEP 2

Attach the Seat (A) to the Chair Legs (B) with Screws M6x25 & Washer (F). Tighten all screws.



## STEP 3

Places right side up so that it can be used.

