



# Wooden Play Kitchen Assembly Instructions

Item #61069

## **CUSTOMER SERVICE:**

For questions regarding this product, or to receive replacement or missing parts, please contact TDC USA Inc. at

**1-800-599-8898 M-F 9AM – 5PM EST**  
or email us at [support@tdcusainc.com](mailto:support@tdcusainc.com)

*Please have the model number and part number ready located in this assembly instruction sheet when you contact us.*



## Wooden Play Kitchen Assembly Instructions - Item #61069

### **90 DAYS LIMITED WARRANTY:**

We offer a 90 day warranty period to notify us of defective or damaged items. For defective or damaged items, contact us by phone at 1-800-599-8898 or support@tdcusainc.com You are required to provide images of the damaged item along with a receipt with the original proof of purchase. Please note that this wooden toy is handcrafted, hand assembled so each one is unique. Slight imperfections may occur and are not considered manufacturing defect. This warranty does not warrant against the use of markers, paints, crayons, or other drawing materials of any type used on this product.

### **BEFORE USE:**

Prior to assembly, check all parts against the parts list in this manual and make sure there are no missing parts found. If damage or missing parts are found, please contact customer support at TDC USA Inc. immediately prior to assembly. It is the responsibility of the parent to inspect the condition of this toy prior to and after assembly. Periodically, always check for any missing, degraded, broken or hazardous parts, including parts which can be swallowed by a child, or otherwise cause an injury. Should you observe any defects, stop use of this toy and notify us at TDC USA Inc. Failure to do so shall constitute as misuse. Failure to supervise, inspect or maintain this toy, whether intentional or inadvertent, shall invalidate this warranty.

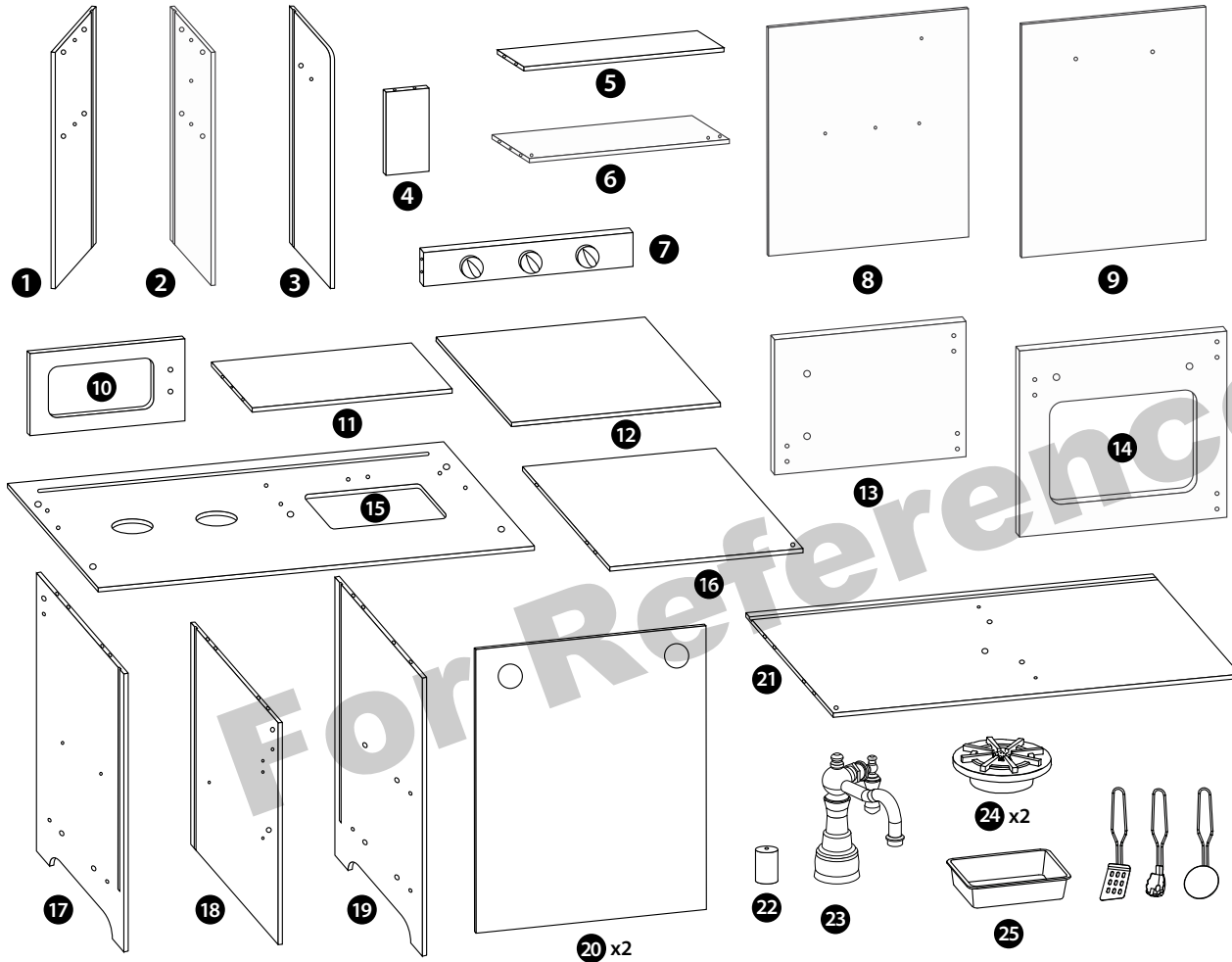
### **CUSTOMER SERVICE:**

For questions regarding this product, or to receive replacement or missing parts, please contact TDC USA Inc. at 1-800-599-8898 M-F 9AM – 5PM EST or email us at support@tdcusainc.com Please have the model number and part number ready located in this assembly instruction sheet when you contact us.

### **CLEANING INSTRUCTION:**

Clean the surface using a slightly damp cloth and mild dish washing liquid if necessary. Do not use any cleaning product containing alcohol or ammonia. Do not use window cleaners or cleaning abrasives as they will scratch the surface and could damage the protective coating.

Find the number label on each board.

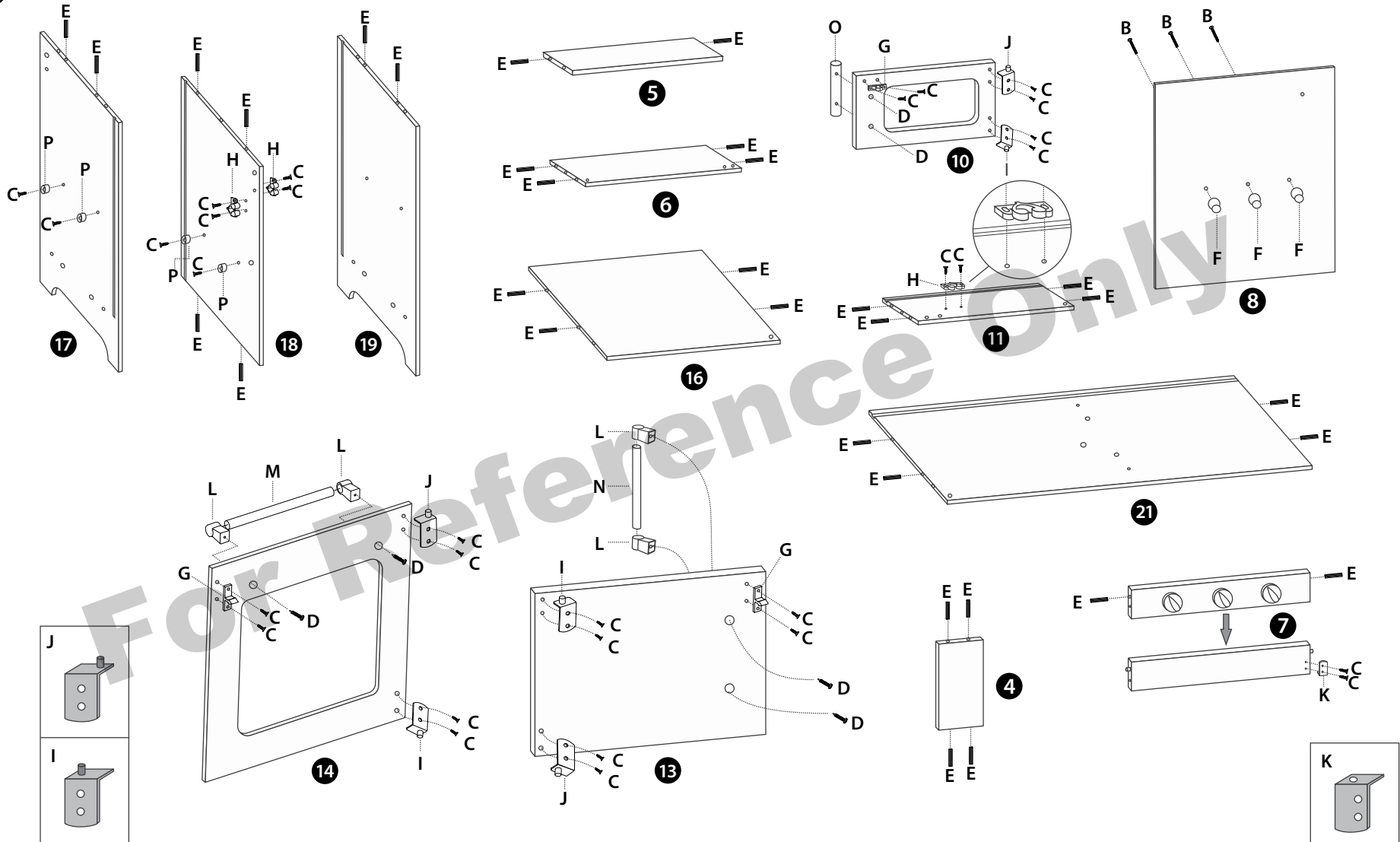


A x27		S x1	
B x5		T x1	
C x30			
D x6			
E x32			
F x3			
G x3			
H x3			
I x3			
J x3			
K x1			
L x4			
M x1			
N x1			
O x1			
P x4			
Q x1			
R x1			

**WARNING:**  
 CHOKING HAZARD—Small parts  
 Not for children under 3 years

**CAUTION:**  
 ADULT ASSEMBLY IS REQUIRED. HARDWARE  
 CONTAINS SCREWS WITH SHARP POINTS.  
 KEEP UNASSEMBLED PARTS OUT OF THE  
 REACH OF SMALL CHILDREN. ADULT  
 SUPERVISION IS RECOMMENDED.

1

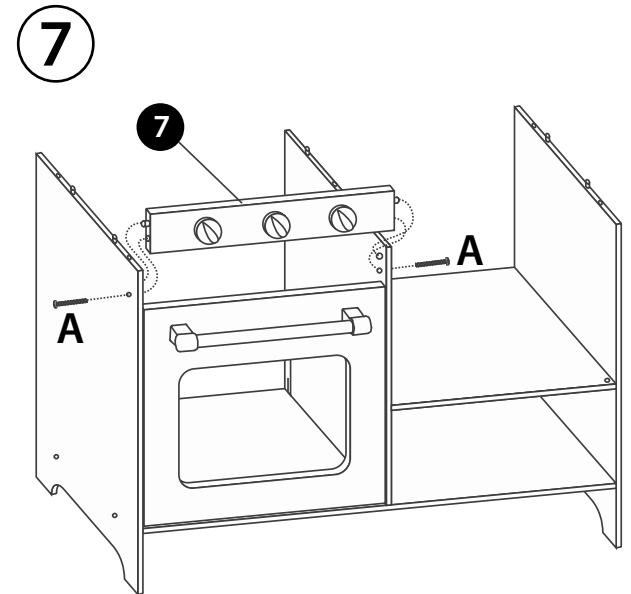
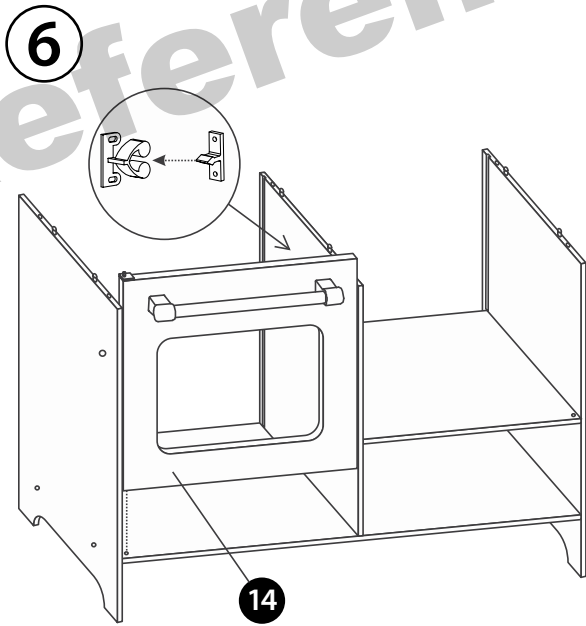
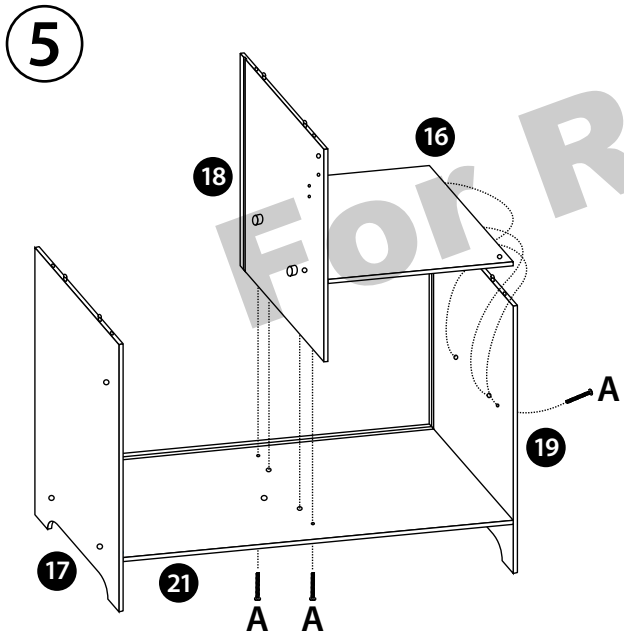
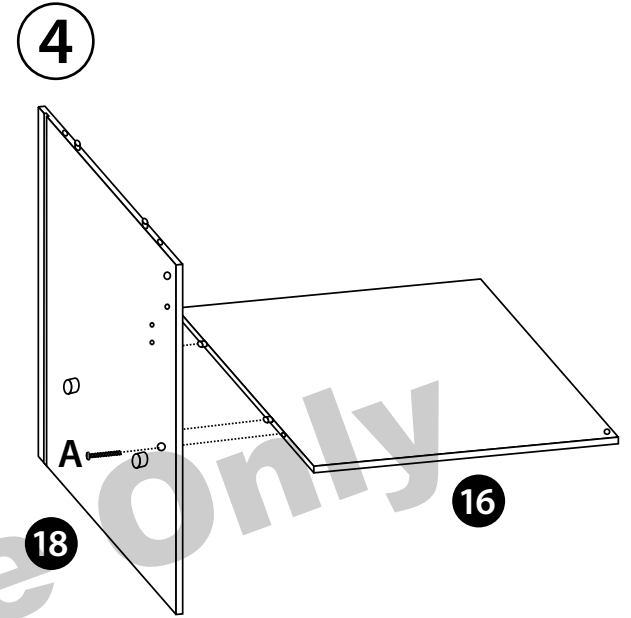
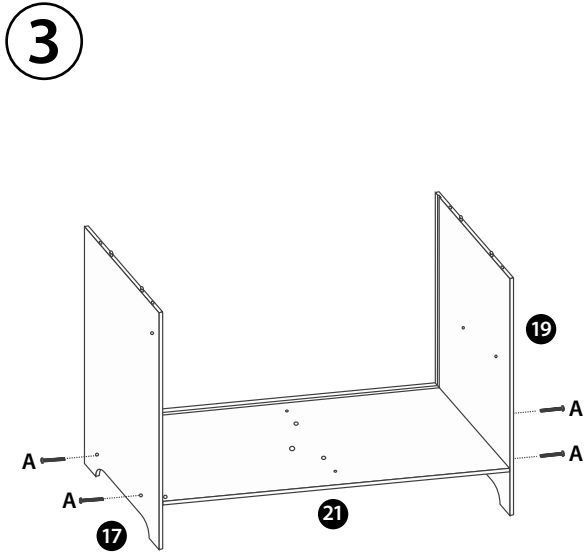
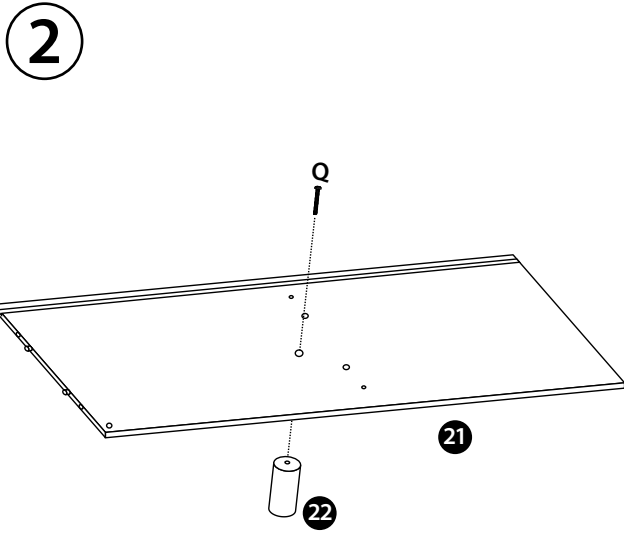


**CAUTION:**

ADULT ASSEMBLY IS REQUIRED. HARDWARE CONTAINS SCREWS WITH SHARP POINTS. KEEP UNASSEMBLED PARTS OUT OF THE REACH OF SMALL CHILDREN. ADULT SUPERVISION IS RECOMMENDED.

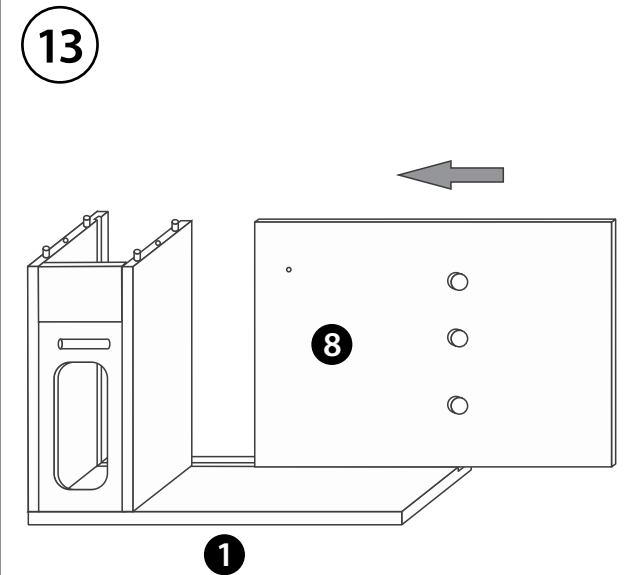
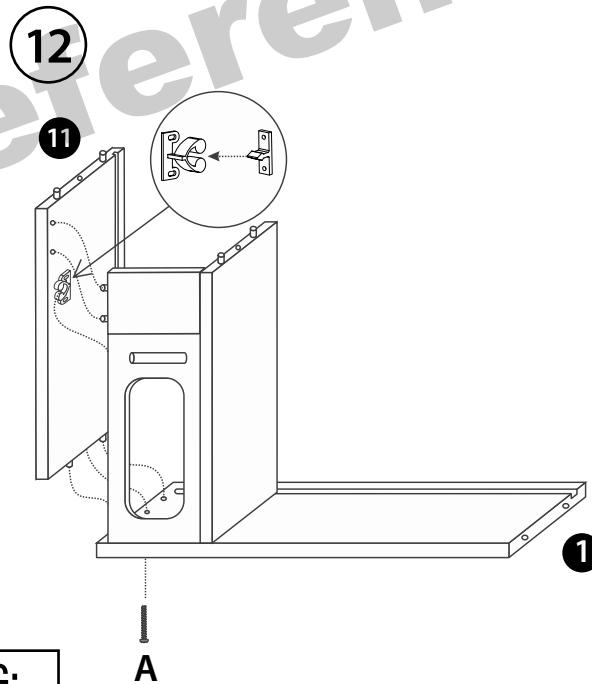
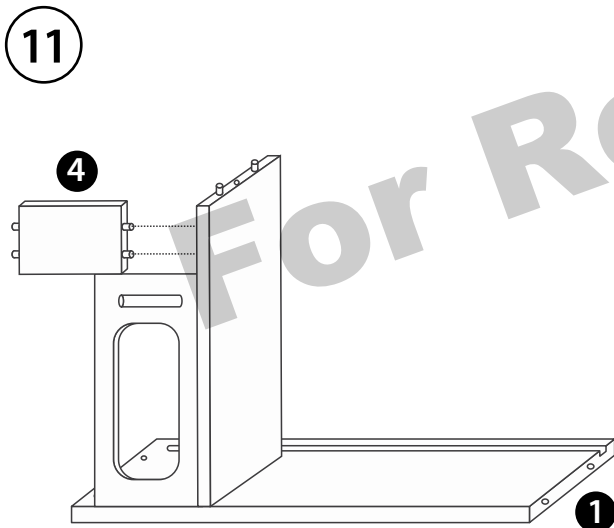
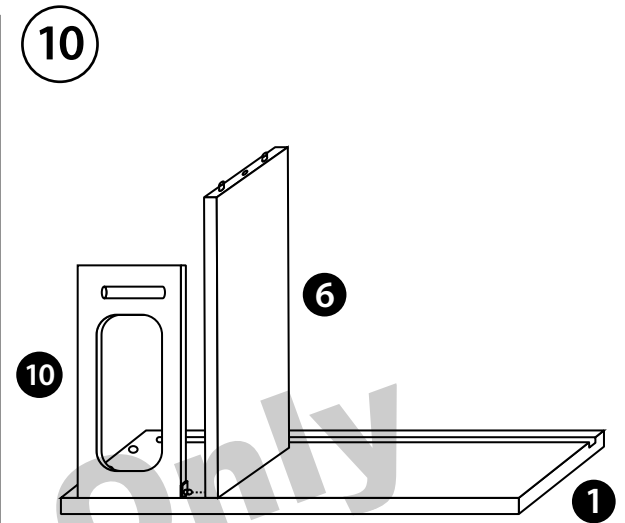
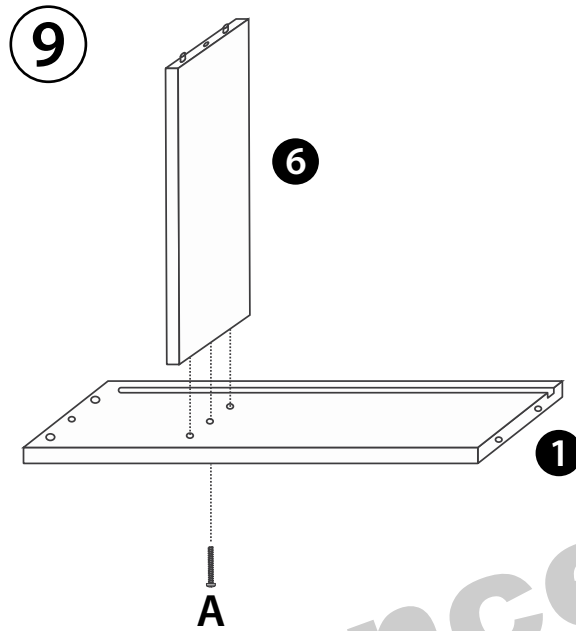
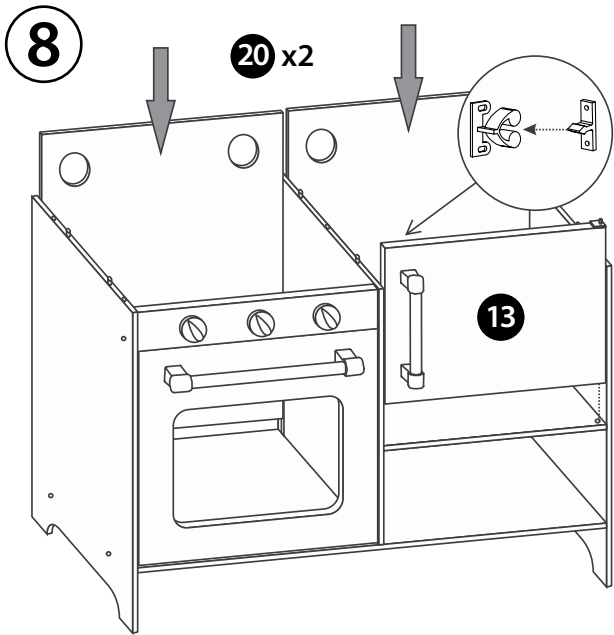
**WARNING:**

**CHOKING HAZARD**—Small parts  
Not for children under 3 years



**WARNING:**  
 CHOKING HAZARD—Small parts  
 Not for children under 3 years

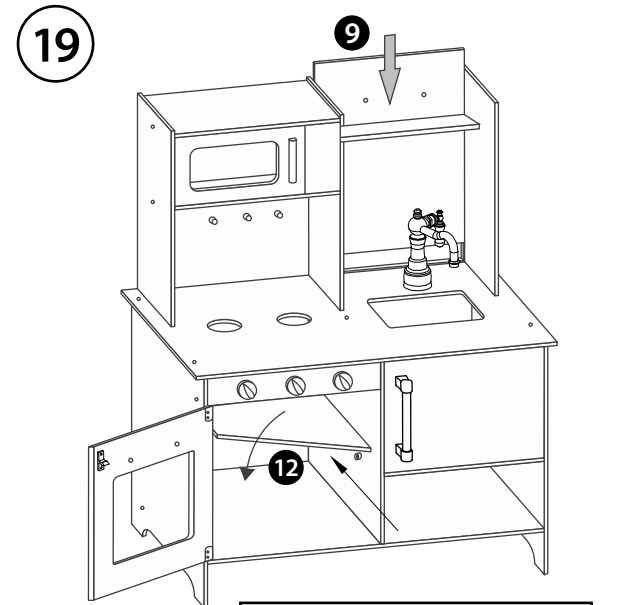
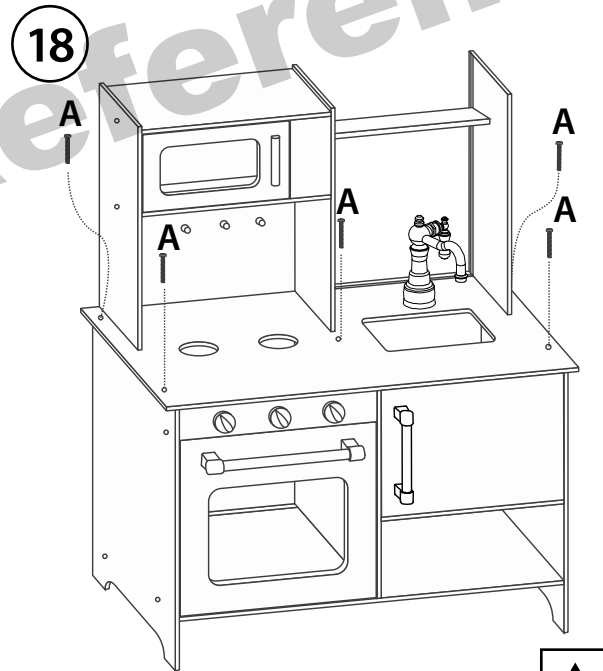
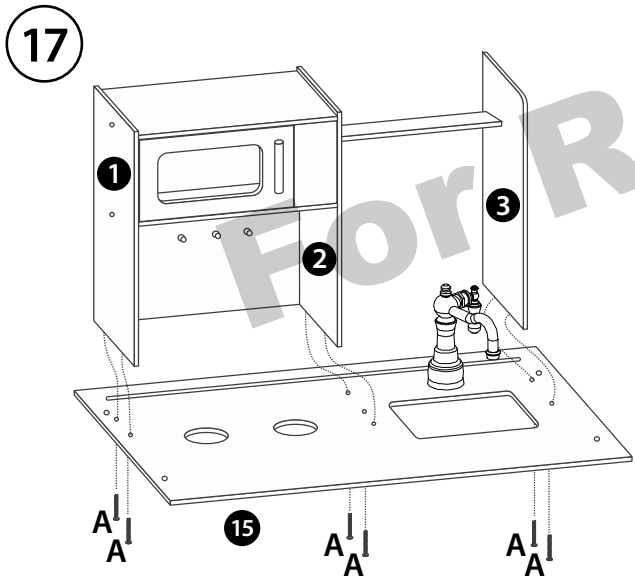
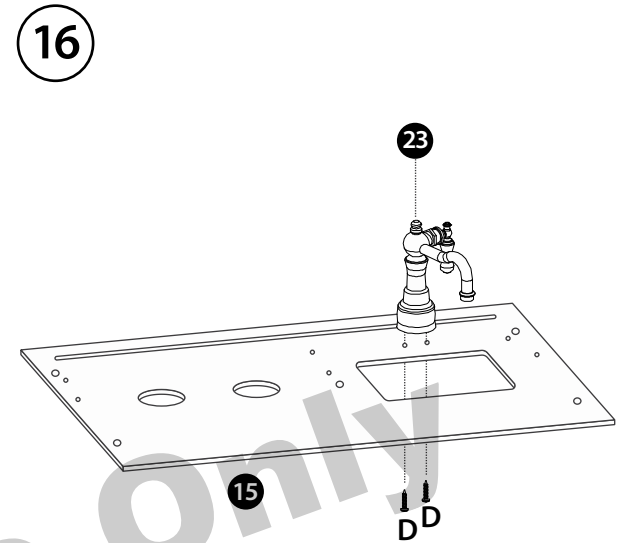
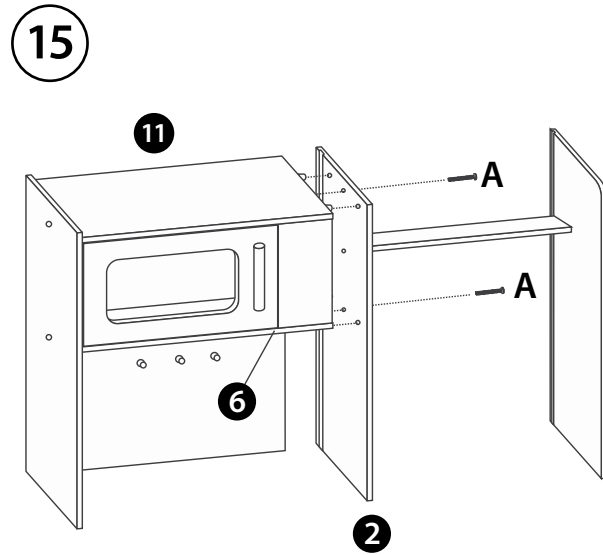
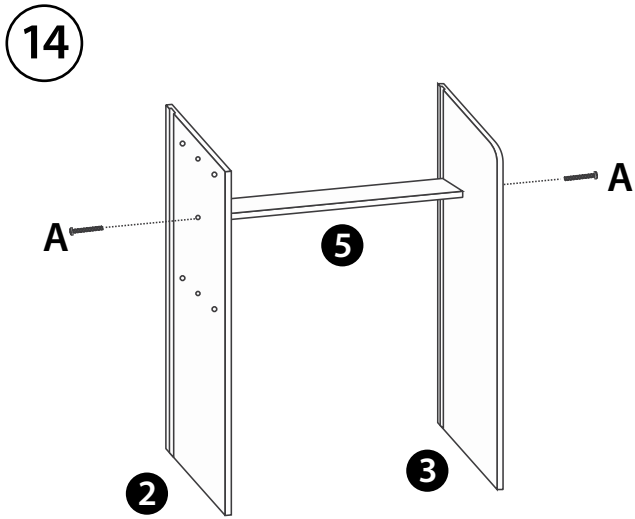
**CAUTION:**  
 ADULT ASSEMBLY IS REQUIRED. HARDWARE  
 CONTAINS SCREWS WITH SHARP POINTS.  
 KEEP UNASSEMBLED PARTS OUT OF THE  
 REACH OF SMALL CHILDREN. ADULT  
 SUPERVISION IS RECOMMENDED.



**CAUTION:**

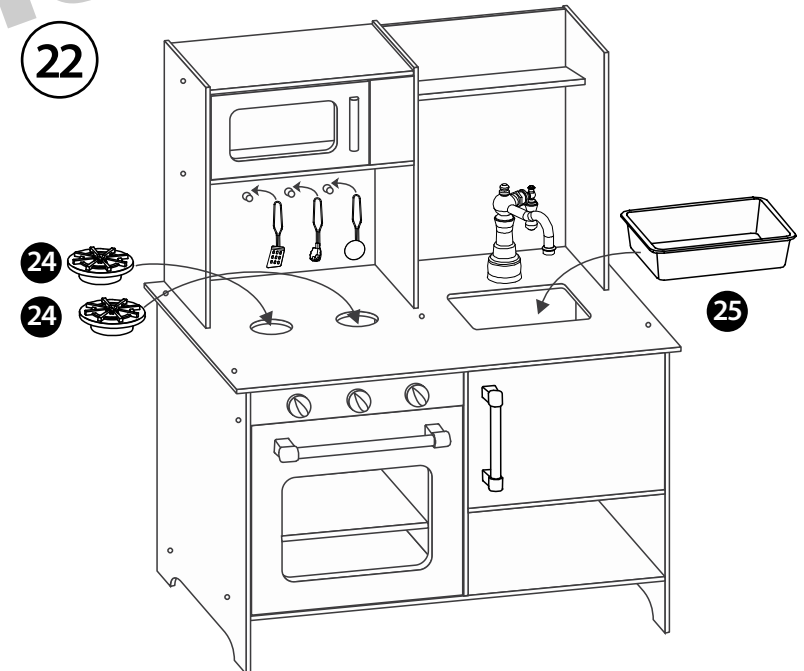
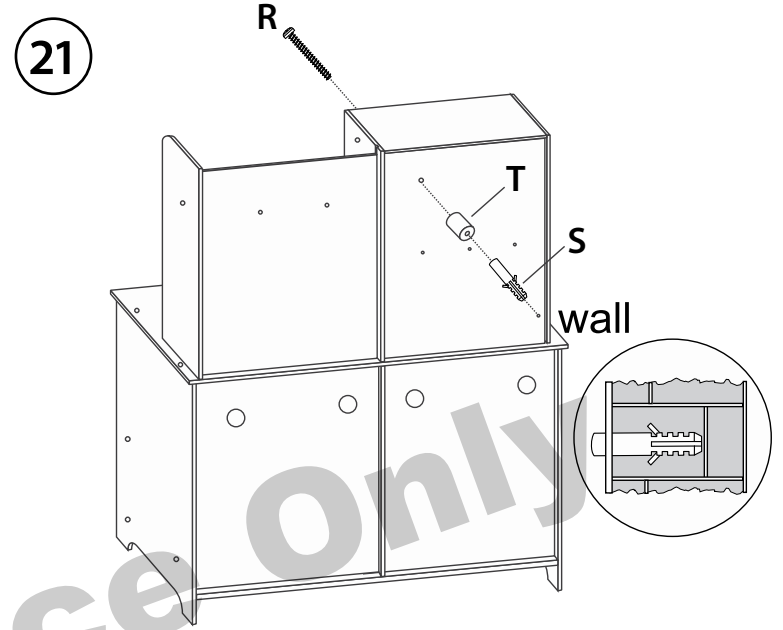
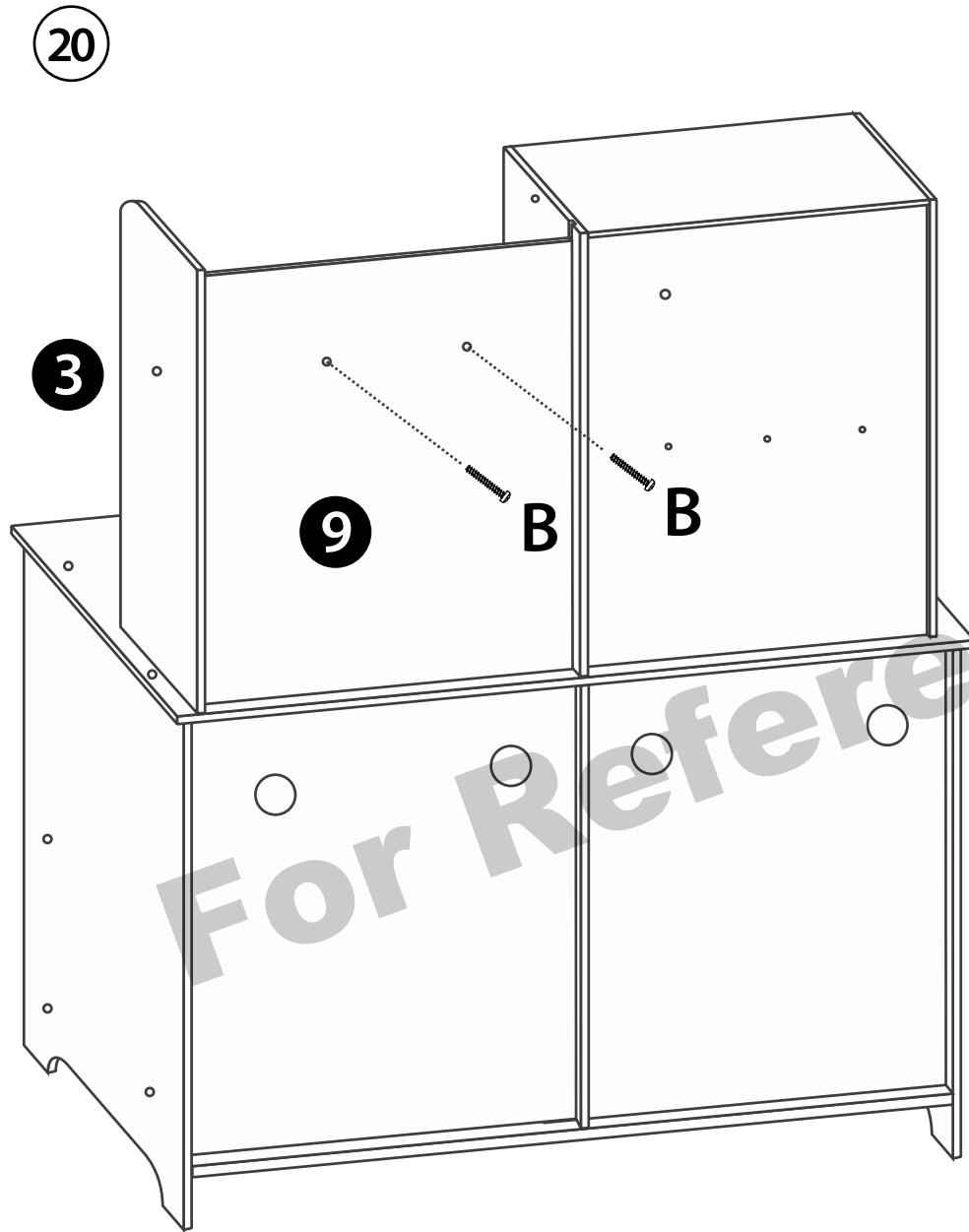
ADULT ASSEMBLY IS REQUIRED. HARDWARE CONTAINS SCREWS WITH SHARP POINTS. KEEP UNASSEMBLED PARTS OUT OF THE REACH OF SMALL CHILDREN. ADULT SUPERVISION IS RECOMMENDED.

**WARNING:**  
CHOKING HAZARD—Small parts  
Not for children under 3 years



**WARNING:**  
 CHOKING HAZARD—Small parts  
 Not for children under 3 years

**CAUTION:**  
 ADULT ASSEMBLY IS REQUIRED. HARDWARE  
 CONTAINS SCREWS WITH SHARP POINTS.  
 KEEP UNASSEMBLED PARTS OUT OF THE  
 REACH OF SMALL CHILDREN. ADULT  
 SUPERVISION IS RECOMMENDED.



**CAUTION:**

ADULT ASSEMBLY IS REQUIRED. HARDWARE CONTAINS SCREWS WITH SHARP POINTS. KEEP UNASSEMBLED PARTS OUT OF THE REACH OF SMALL CHILDREN. ADULT SUPERVISION IS RECOMMENDED.

**WARNING:**

**CHOKING HAZARD**—Small parts  
Not for children under 3 years