

# Wicker Bird's Nest Lounge Chair



## Assembly Instructions

**Made in Vietnam**

The owner's manual contains important safety information as well as assembly, use and maintenance instructions. Keep this manual for future reference.



**PLEASE DO NOT  
RETURN THIS  
PRODUCT  
TO THE STORE**

**We will be happy to correct any problems that you may have, or answer any of your questions regarding the purchase of this product. Please contact us at our Toll Free customer service number 1-800-599-8898 for any assistance and replacement parts. Thank You.**

Dist. by TDC USA, Inc. Fairfield, NJ 07004

©2022 All Rights Reserved.

Made in Vietnam

Item 22564

[www.tdcusainc.com](http://www.tdcusainc.com)



## WARNING!

- **Keep all children and pets away from assembly area. Children and pets should be supervised when they are in the area of the product construction.**
- **Some parts may contain sharp edges. When assembling and using this product, basic safety precautions should always be.**
- **Please read all the instructions and warnings before assembling. In order to make the whole product adjust to the best, please install all the screws on the product and tighten all the screws after adjusting the product which can stand on the floor even. Not intended for commercial use.**
- **IMPORTANT - check and tighten bolts often to keep them secure**

### **WARNING: ADULT ASSEMBLY REQUIRED.**

#### **READ ALL INSTRUCTIONS BEFORE USE**

**Please remove all packaging including tags and ties before giving this product to a child.**

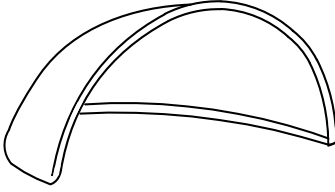
**To reduce the risk of injury to person:**

- **This product is intended for use by children ages 3 - 10 years. Maximum weight limit is 200 lbs. (90 kg).**
- **Always sit with full weight in the center of the seat.**
- **Do not use the furniture in a manner other than intended.**
- **Do not shake, swing, climb, hang, or stand on top of this chair.**
- **Adult supervision required. Do not leave children unattended.**
- **Instruct children not to attach items to the product that are not specifically designed for use with the product such as, but not limited to, jump ropes, clothes lines, pet leashes, cables and chains, as they may cause a strangulation hazard.**

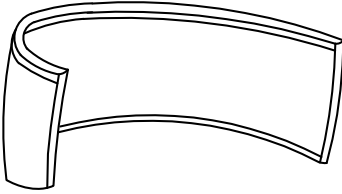
- **CHOKING HAZARD** - Small parts. Not suitable for children under 36 months. The product contains small parts, keep children away when assembling.

- **ADULT ASSEMBLY REQUIRED.**

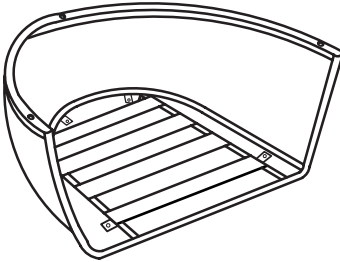
Always remove protective material and poly bags and dispose before assembly.



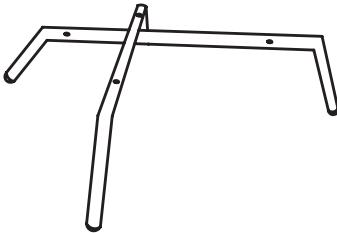
**A (x1)**  
Top



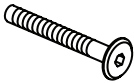
**B (x1)**  
Seat Back



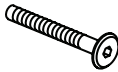
**C (x1)**  
Seat Bottom



**D (x1)**  
Legs



**1 (x4)**  
M6x20 Bolt



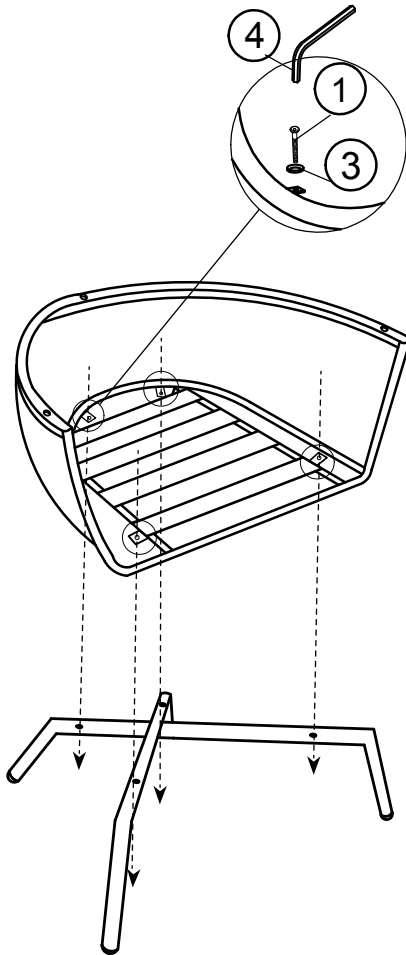
**2 (x8)**  
M6x45 Bolt



**3 (x12)**  
Washer

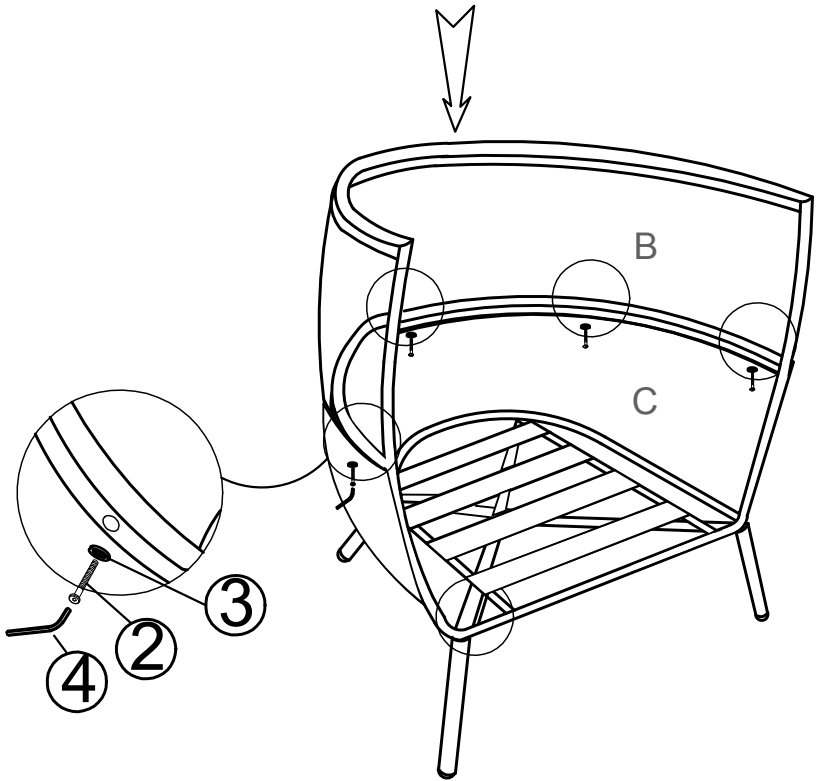


**4 (x1)**  
Hex Key



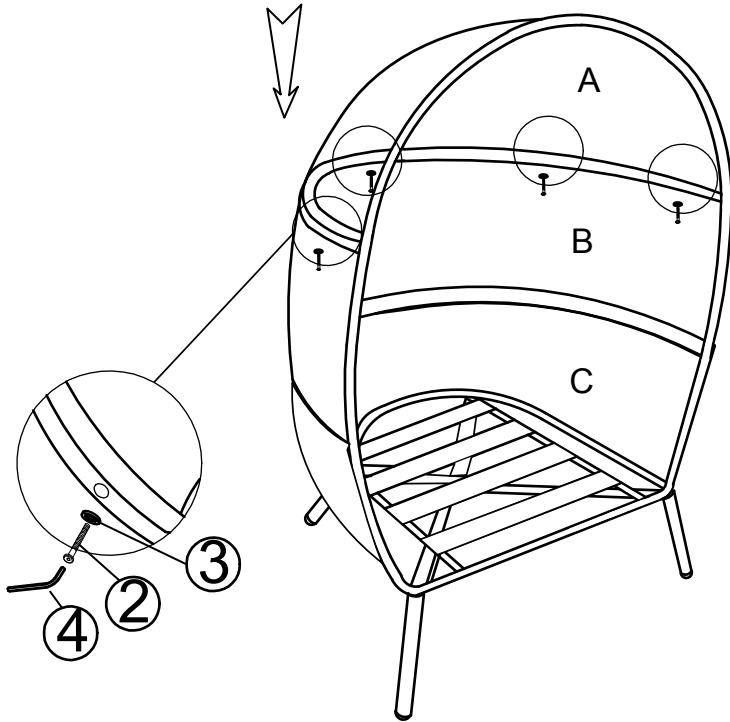
## Step 1:

Place Legs (D) on the ground, and set Seat Bottom (C) on top as illustrated here. Insert one M6x20 Bolt (1) with Washer (3) through each of the four brackets found at the bottom of the frame of Seat Bottom (C), and into the bolt-threading found on top of each Leg (D). Tighten all bolts using Hex Key (F).



## Step 2:

Place Seat Back (B) on top of Seat Bottom (C) as illustrated above. Insert one M6x45 Bolt (2) with Washer (3) through the three eyelets found underneath the top of the frame of Seat Bottom (C), and into the bolt-threading found on the bottom of the frame of Seat Back (B). Tighten all bolts using Hex Key (F).



### Step 3:

Place Top (A) on top of Seat Back (B) as illustrated above. Insert one M6x45 Bolt (2) with Washer (3) through the three eyelets found underneath the top of the frame of Seat Back (B), and into the bolt-threading found on the bottom of the frame of Top (A). Tighten all bolts using Hex Key (F).

Your Wicker Bird's Nest Lounge Chair is completely assembled and ready to use. Place the seat cushion on top of Seat Bottom (C) and the back and side cushions in place when ready to use.

## LIMITED WARRANTY

Please contact our service hotline by phone, email, or fax when needing assistance with assembly or with faulty parts. This allows us to provide support in the event of possible operator errors.

All furniture manufactured and sold by TDC USA, Inc. is warranted to the original purchaser against defects in workmanship and materials. If a product manufactured by TDC fails during the first year from date of purchase under the terms of our limited warranty, TDC will replace the item at no charge. After one year, it will be the original purchaser's responsibility to pay for freight and packing. TDC reserves the right, in the case of discontinued or out of production models, to replace with an item of similar quality. (Glass breakage is not warranted.)

**NOTE: You must retain original receipt to obtain warranty!**

### **FRAMES:**

Frames are warranted against defects in materials and workmanship from the date of original purchase. Damage to frames or welds due to commercial use, improper assembly, exposure to water and sub-freezing temperatures, and/or abuse are not covered.

### **FABRIC:**

Fabric on cushions, slings, and umbrellas is warranted against separation at the seams. Fading, mildew, and/or discoloration due to exposure to elements, chemicals, and spills are not covered.

### **POWDER COAT AND/OR PAINT:**

The finish is warranted against blistering, peeling, or cracking. Fading resulting from exposure to the elements, chemicals, and spills are not covered. Scratches and chips due to normal wear and use are not covered.

### **FREIGHT & PACKING:**

TDC will be responsible for shipping, handling, and packaging charges for all valid warranty claims.

### **CARE & MAINTENANCE:**

Be careful to never allow water build up in frames as this will cause corrosion and freeze damage in cold climates. Wash all frames with a solution of mild soap and water. Rinse with clean water and dry with a soft absorbent cloth towel. Frames can be treated with a liquid wax for maximum protection against UV rays and/or salty damp air. If your set includes cushions, slings, and/or an umbrella, they may be cleaned by hand with a solution of soap and water with a clean water rinse.



## LIMITED WARRANTY EXCLUSIONS:

- Damage caused by acts of nature
- Wind damage
- Failure caused by unreasonable, unanticipated, or abusive use
- Failure caused by a lack of reasonable and necessary care and maintenance
- Normal fade of fabrics, upholstery, or woven materials
- Glass table tops
- Bursting or cracking of tubing due to exposure to water and freezing temperatures
- Changes in wood color due to the natural aging of the wood

***A sales receipt must be provided to validate  
1-Year Limited Warranty.***

### **Customer Service:**

**Monday - Friday • 9:00 am - 5:00 pm**

**Phone: 800-599-8898**

**Email: [support@tdcusainc.com](mailto:support@tdcusainc.com)**

**TDC USA, Inc.  
5 Industrial Rd, STE 1  
Fairfield, NJ 07004-3017**

# Wicker Bird's Nest Lounge Chair

Dist. by TDC USA, Inc. Fairfield, NJ 07004  
©2022 All Rights Reserved. Made in Vietnam.  
Item #22564

**Questions and Comments**  
**1-800-599-8898 (9 am - 5 pm EST)**  
**[www.tdcusainc.com](http://www.tdcusainc.com)**