

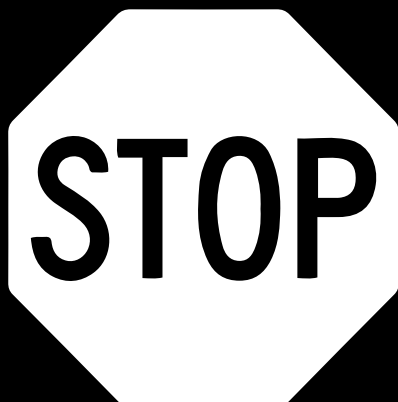
Wicker Bird's Nest Lounge Chair



Assembly Instructions

Made in Vietnam

The owner's manual contains important safety information as well as assembly, use and maintenance instructions. Keep the packaging and bags away from children and dispose of all packaging properly before use. Keep this manual for future reference.



**PLEASE DO NOT
RETURN THIS
PRODUCT
TO THE STORE**

We will be happy to correct any problems that you may have, or answer any of your questions regarding the purchase of this product. Please contact us at our Toll Free customer service number 1-800-599-8898 for any assistance and replacement parts. Thank You.

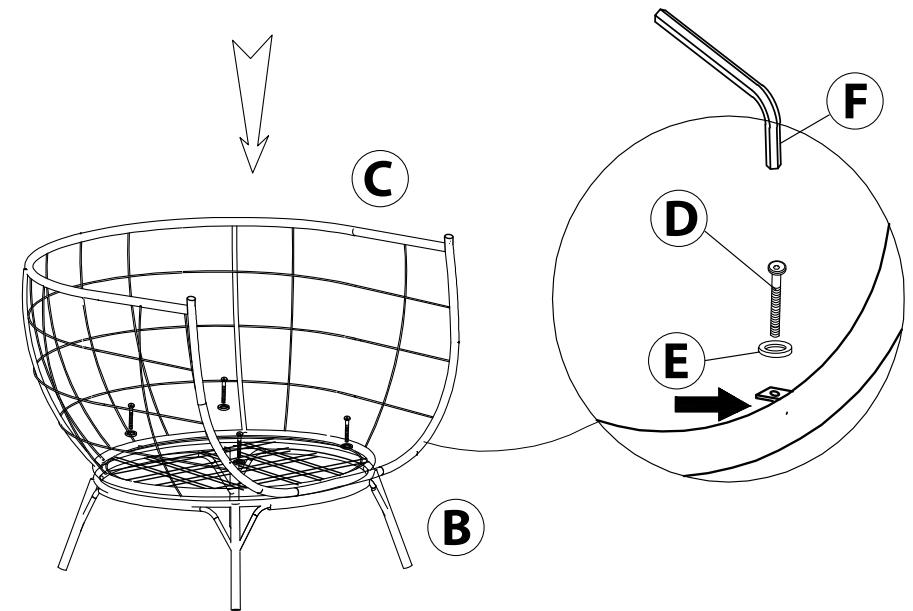
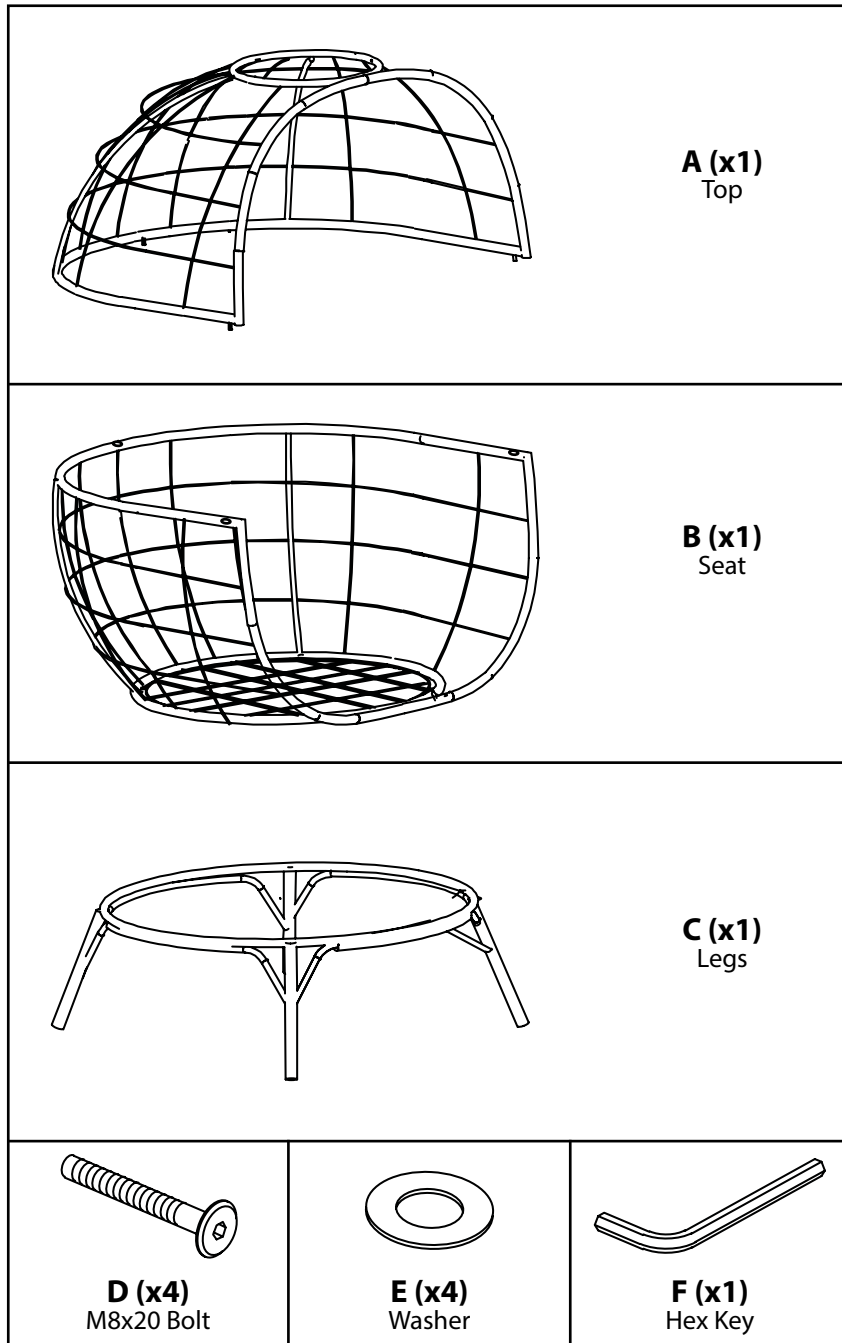
Dist. by TDC USA, Inc. Fairfield, NJ 07004
©2021 All Rights Reserved.
Made in Vietnam
Item 22564
www.tdcusainc.com

⚠ WARNING!

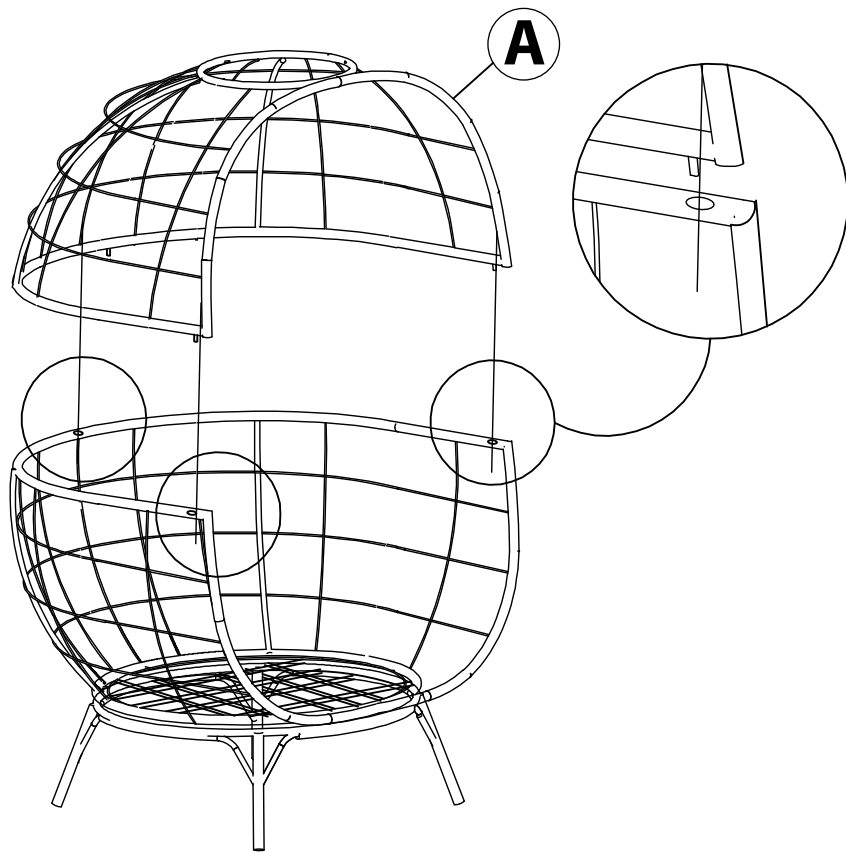
- Keep all children and pets away from assembly area. Children and pets should be supervised when they are in the area of the product construction.
- Some parts may contain sharp edges. When assembling and using this product, basic safety precautions should always be.
- Please read all the instructions and warnings before assembling. In order to make the whole product adjust to the best, please install all the screws on the product and tighten all the screws after adjusting the product which can stand on the floor even. Not intended for commercial use.
- Check all bolts for tightness before use.
- **IMPORTANT** - check and tighten bolts often to keep them secure

• **CHOKING HAZARD** - Small parts. Not suitable for children under 36 months. The product contains small parts, keep children away when assembling.

• **ADULT ASSEMBLY REQUIRED.**
Always remove protective material and poly bags and dispose before assembly.

**Step 1:**

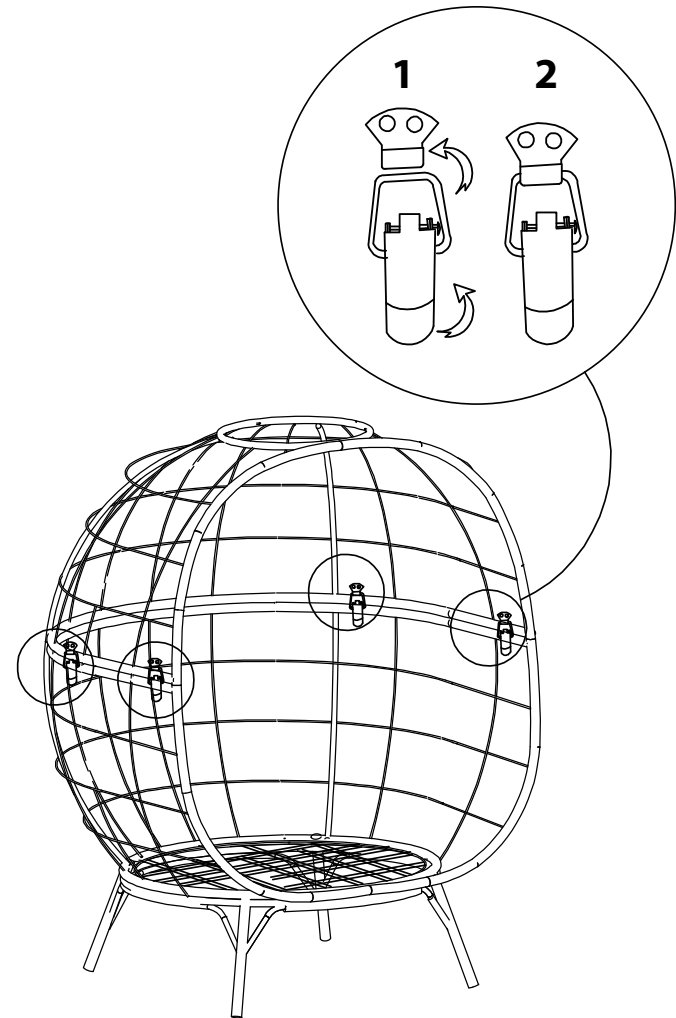
Set the Legs (C) on the ground and set Seat (B) on top as illustrated here. Insert one M8x20 Bolt (D) with Washer (E) through each of the four brackets found at the bottom of the frame of Seat (B) and into the bolt-threading found along the top rim of Legs (C). Tighten all bolts using Hex Key (F).



Step 2:

Set the pegs found at the bottom of Top (A) so that they fall within the corresponding eyelets found along the top of the frame for Seat (B) as illustrated here.

Fig. 1



Step 3:

See Fig.1 for instructions on how to use the provided latches found on the inside of Top (A) to lock the top in place to Seat (B). Place the seat cushion on top of Seat (B), the back cushion and the two narrow side cushions along the frame of Seat (B). Your Wicker Patio Egg Chair is now ready to be used.

Wicker Bird's Nest Lounge Chair

Dist. by TDC USA, Inc. Fairfield, NJ 07004
©2021 All Rights Reserved. Made in Vietnam.
Item #22564

Questions and Comments
1-800-599-8898 (9 am - 5 pm EST)
www.tdcusainc.com