

Umbrella Side Table

With Black Glass



Assembly Instructions

Made in China

The owner's manual contains important safety information as well as assembly, use and maintenance instructions. Keep the packaging and bags away from children and dispose of all packaging properly before use. Keep this manual for future reference.



**PLEASE DO NOT
RETURN THIS
PRODUCT
TO THE STORE**

We will be happy to correct any problems that you may have, or answer any of your questions regarding the purchase of this product. Please contact us at our Toll Free customer service number 1-800-599-8898 for any assistance and replacement parts. Thank You.

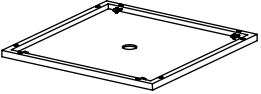
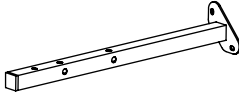
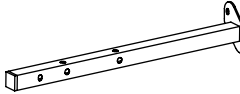
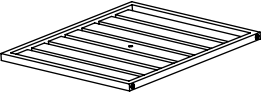
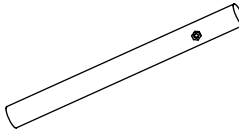

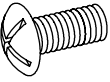
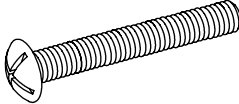
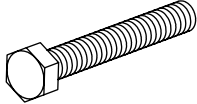
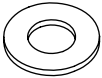
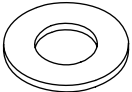
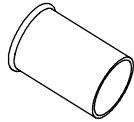
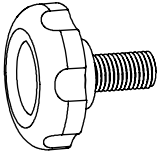

Dist. by TDC USA, Inc. Fairfield, NJ 07004
©2020 All Rights Reserved.
Made in China
Item 22486
www.tdcusainc.com

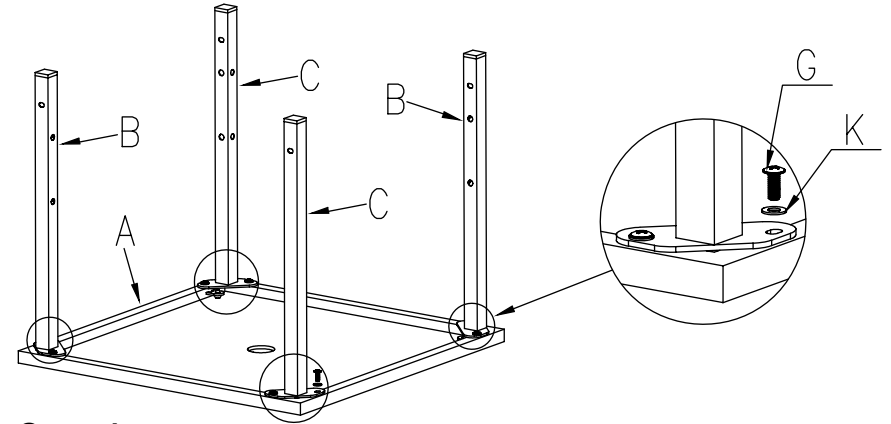
⚠ WARNING!

- Keep all children and pets away from assembly area. Children and pets should be supervised when they are in the area of the product construction.
- Some parts may contain sharp edges. When assembling and using this product, basic safety precautions should always be.
- Please read all the instructions and warnings before assembling. In order to make the whole product adjust to the best, please install all the screws on the product and tighten all the screws after adjusting the product which can stand on the floor even. Not intended for commercial use.
- Check all bolts for tightness before use.
- **IMPORTANT** - check and tighten bolts often to keep them secure

• **CHOKING HAZARD** - Small parts. Not suitable for children under 36 months. The product contains small parts, keep children away when assembling.

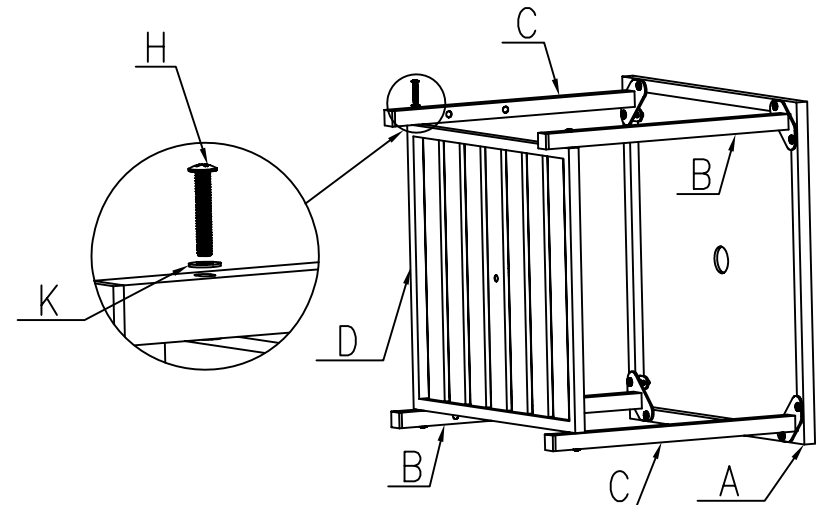
• **ADULT ASSEMBLY REQUIRED.**
Always remove protective material and poly bags and dispose before assembly.

 <p>A (x1) Table Top</p>	 <p>B (x2) Table Leg</p>	 <p>C (x2) Table Leg</p>
 <p>D (x1) Shelf</p>	 <p>E (x1) Pole</p>	 <p>F (x4) Panel</p>
 <p>G (x8) M6x15 Bolt</p>	 <p>H (x4) M6x35 Bolt</p>	 <p>J (x1) M8x30 Bolt</p>
 <p>K (x12) 13mm Washer</p>	 <p>L (x1) 16mm Washer</p>	 <p>M (x1) Table Ring</p>
 <p>N (x1) Locking Knob</p>	 <p>P (x1) Wrench</p>	



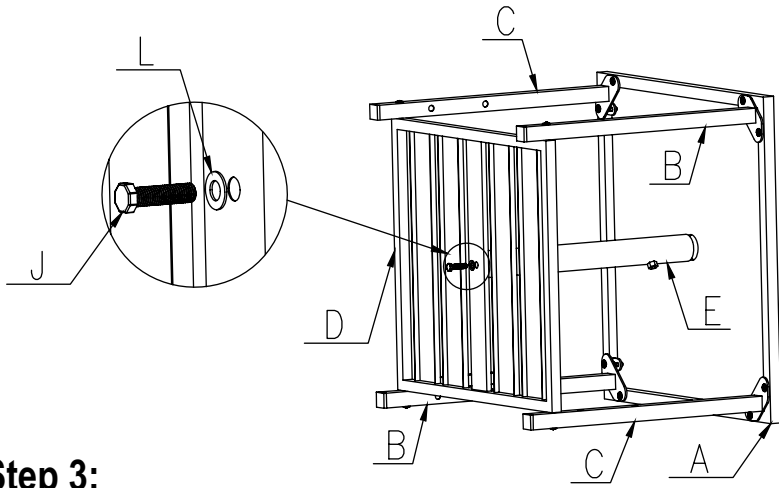
Step 1:

Cut the straps that secure the glass to the table rim and carefully remove the glass and set it aside. Place Table (A) upside down on the ground. Place Leg (B) at the corner of Table (A) so that holes found at the center of this part are in the correct orientation as illustrated here. Insert two Bolts M6x15 (G) with 13 mm Washers (K) through the screw holes at the end of Leg (B) and into the screw-threading at this corner of Table (A); do not tighten bolts all the way until assembly is completed. Follow this step to assemble the second Leg (B) at the opposite corner of Table (A). Follow these steps to assemble the two Legs (C) at the remaining corners of Table (A).



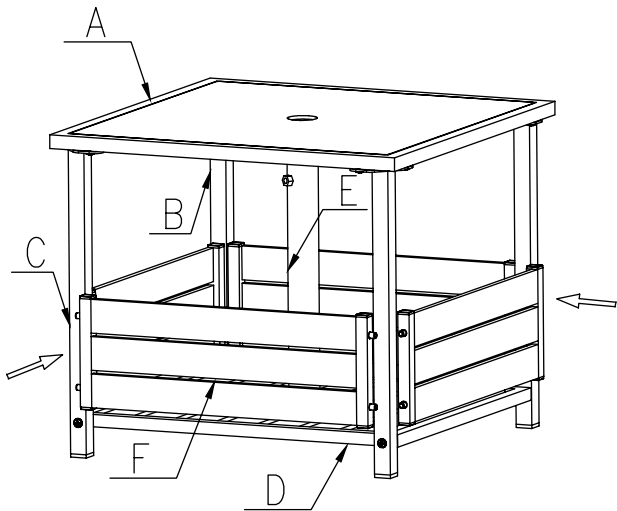
Step 2:

Place the umbrella table on its side. Place Shelf (D) in between previously assemble legs. Insert one Bolt M6x35 with a 13 mm Washer (K) through each Leg (B & C) and into the screw-threading found on the side of each corner of Shelf (D).



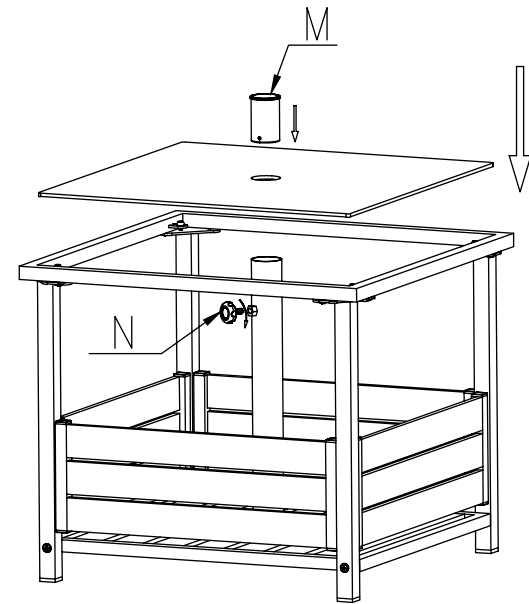
Step 3:

Place Pole (E) in between Table (A) and Shelf (D).
 Insert Bolt M8x30 (J) with a 16mm Washer (L) through the bottom of Shelf (D) and into the screw-threading found at the bottom of Pole (E).



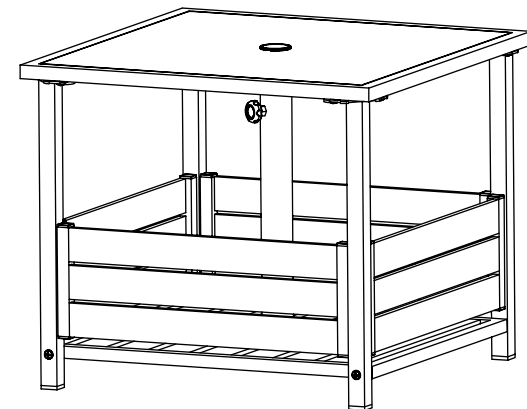
Step 4:

Turn the umbrella table right-side up. Place Panels (F) in between each leg by pushing in on pushpins found at either end of this part. Lock Panels (F) in place by inserting pushpins into holes found at the center of Legs (B & C).



Step 5:

Carefully place glass on top of Table (A). Insert Table Ring (M) through glass and into Pole (E). Insert Locking Knob (N) into screw-threading found near the top of Pole (E) once you have placed an umbrella (sold separately) through the table's center. The Locking Knob (N) when inserted into Pole (E) and tightened against the umbrella pole will help to stabilize the umbrella.



Umbrella Side Table

With Black Glass

Dist. by TDC USA, Inc. Fairfield, NJ 07004
©2020 All Rights Reserved. Made in China.
Item #22486

Questions and Comments
1-800-599-8898 (9 am - 5 pm EST)
www.tdcusainc.com