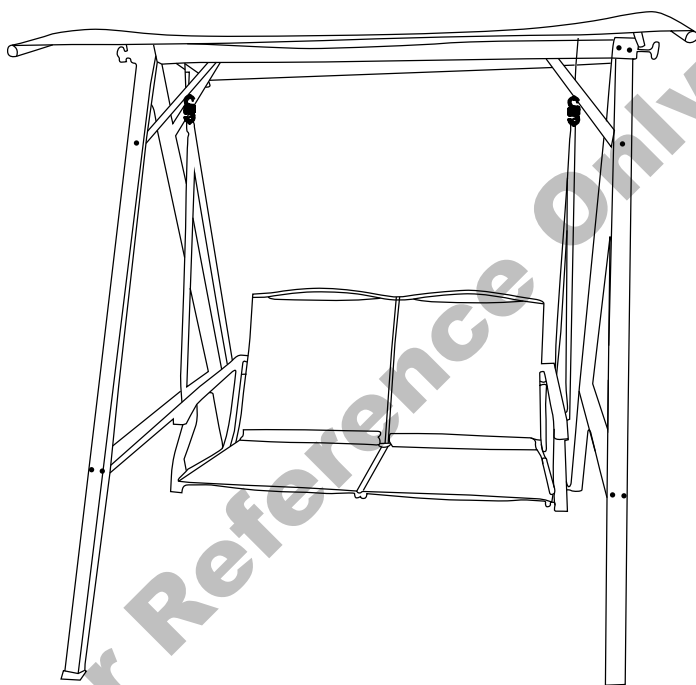


Two Person Swing

Steel Frame with Powder Coating



Assembly Instructions

Made in China

The owner's manual contains important safety information as well as assembly, use and maintenance instructions. Keep the packaging and bags away from children and dispose of all packaging properly before use. Keep this manual for future reference.



**PLEASE DO NOT
RETURN THIS
PRODUCT
TO THE STORE**

We will be happy to correct any problems that you may have, or answer any of your questions regarding the purchase of this product. Please contact us at our Toll Free customer service number 1-800-599-8898 for any assistance and replacement parts. Thank You.


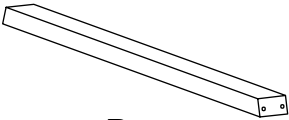

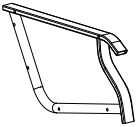
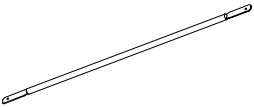
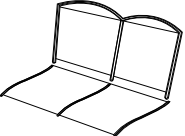
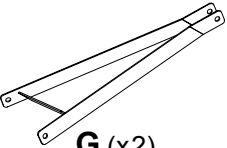
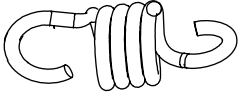
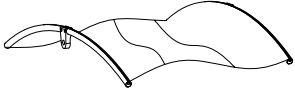



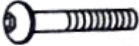


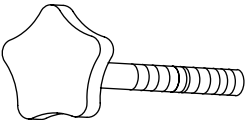

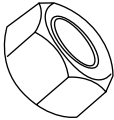
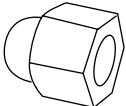
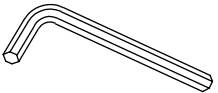


Dist. by TDC USA, Inc. Fairfield, NJ 07004
©2023 All Rights Reserved.
Made in China
Item 21636
www.tdcusainc.com

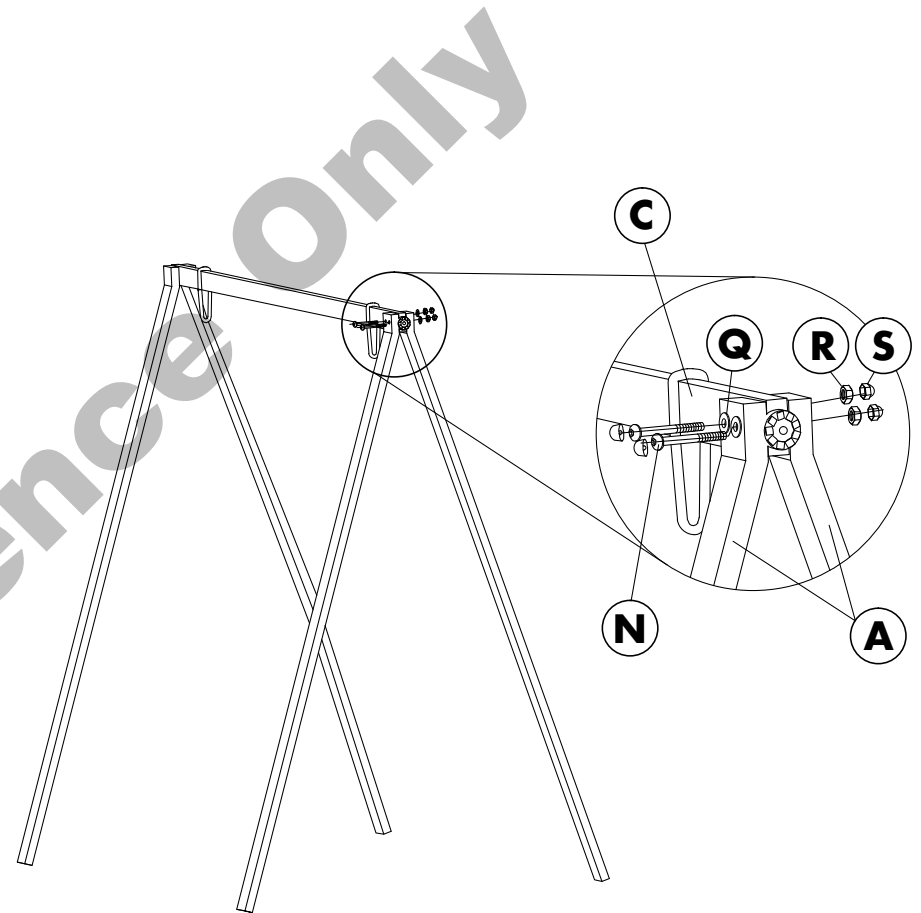
⚠ WARNING!

- Keep all children and pets away from assembly area. Children and pets should be supervised when they are in the area of the product construction.
- Some parts may contain sharp edges. When assembling and using this product, basic safety precautions should always be.
- Please read all the instructions and warnings before assembling. In order to make the whole product adjust to the best, please install all the screws on the product and tighten all the screws after adjusting the product which can stand on the floor even. Not intended for commercial use.
- Check all bolts for tightness before use.
- **IMPORTANT** - check and tighten bolts often to keep them secure

• **CHOKING HAZARD** - Small parts. Not suitable for children under 36 months. The product contains small parts, keep children away when assembling.

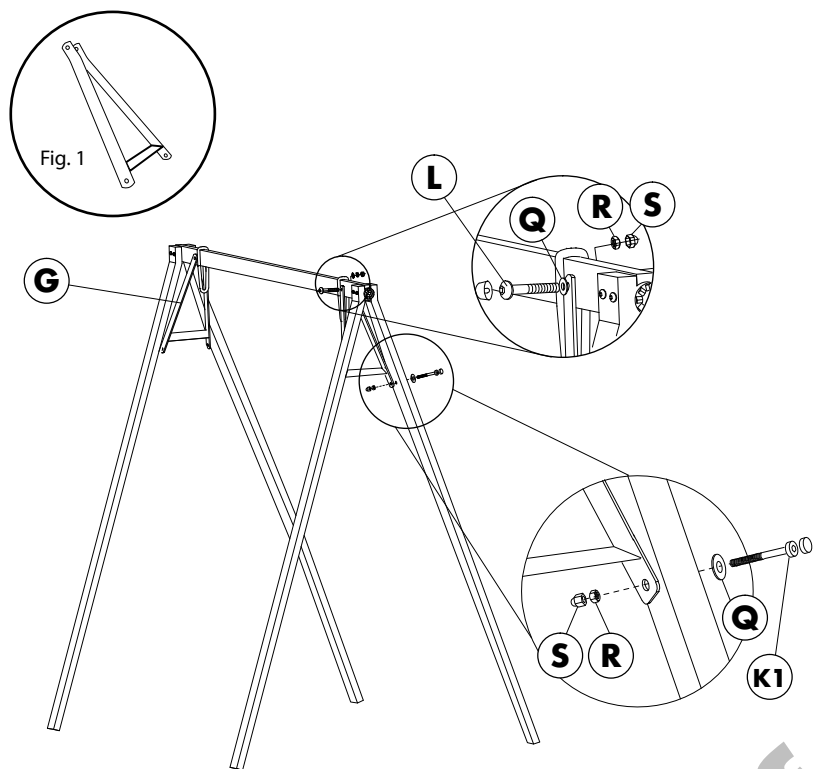
• **ADULT ASSEMBLY REQUIRED.**
Always remove protective material and poly bags and dispose before assembly.

 A (x4) Leg	 B (x2) Leg Support	 C (x1) Swing Support	
 D (x2) Armrest	 E (x4) Swing Arm	 F (x1) Swing Seat	
 G (x2) Connector	 H (x2) Hook	 I (x1) Canopy	
 K (x12) M6x35 Bolt	 K1 (x4) M6x38 Bolt	 L (x2) M6x40 Bolt	
 M (x2) M6x45 Bolt	 N (x4) M6x85 Bolt	 O (x4) M6x55 Bolt	
 P (x2) Dial	 Q (x14) Washer	 R (x14) Nut	
 S (x14) Cap	 T (x1) Hex Key	 U (x1) Wrench	 V (x2) Spacer



Step 1:

Insert two Bolts M6x85 (N) with Washers (Q) through the top eyelets of Leg (A), through two eyelets at the end of Swing Support (C), and through a second Leg (A). Tighten a Nut (R) halfway down on each bolt to hold parts in place with Wrench (U) and Hex Key (T). **It is advised to keep all parts loose until unit is completely assembled.** Follow these steps to assemble the second set of Legs (A) to the opposite side of Swing Support (C).

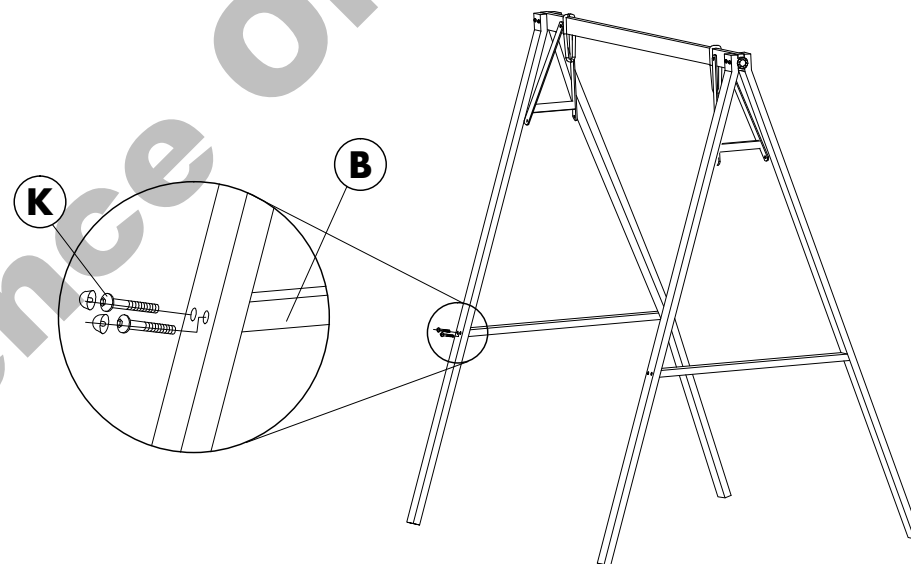


Step 2:

Place Connector (G) between assembled Legs (A); see Fig. 1 for correct orientation of Connector (G) before placing between these parts. Insert Bolt M6x40 (L) with Washer (Q) through the top eyelet of Connector (G), through the remaining eyelet in Swing Support (C) near each set of legs, and through the opposite side of Connector (G). Tighten a Nut (R) halfway down to hold parts in place with Wrench (U) and Hex Key (X). Follow these steps to assemble the second Connector (G) to the opposite side of Swing Support (C).

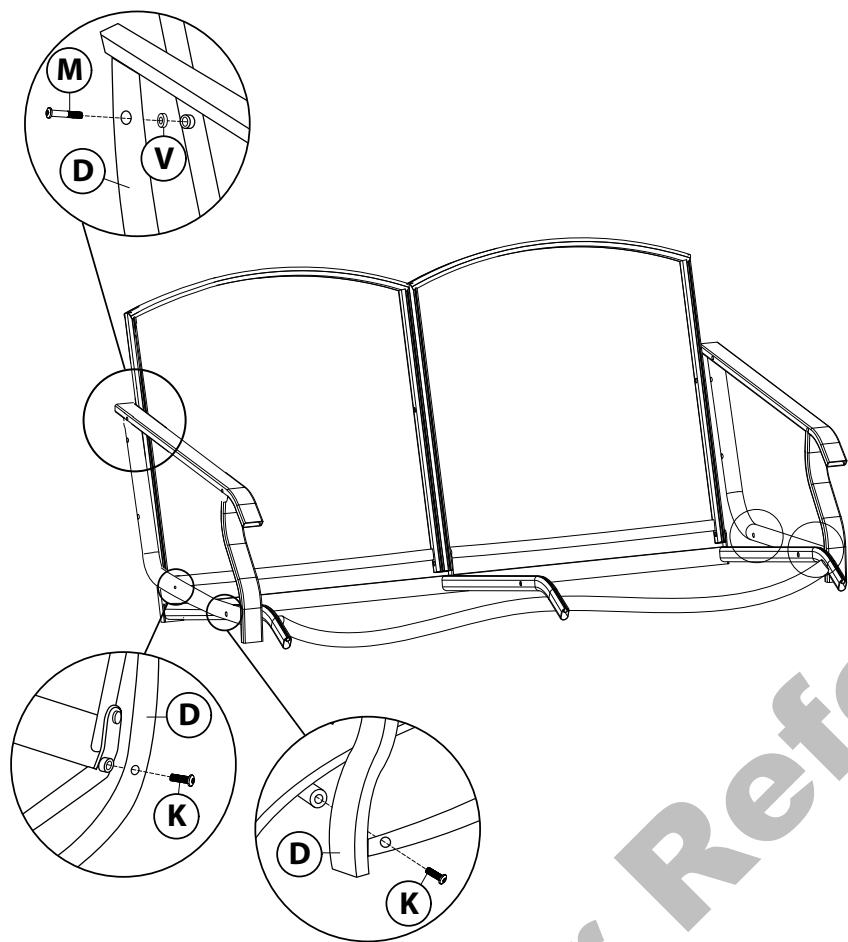
Insert one Bolt M6x38 (K1) with Washer (Q) through the eyelet on the side of Leg (A), and through the bottom eyelet of Connector (G). Tighten a Nut (R) halfway down on the bolt to hold parts in place with Wrench (U) and Hex Key (T).

Follow these steps to assemble the opposite side of Connector (G) to the adjacent leg. Follows these steps to assemble the second Connector (G) to the second set of Legs (A).



Step 3:

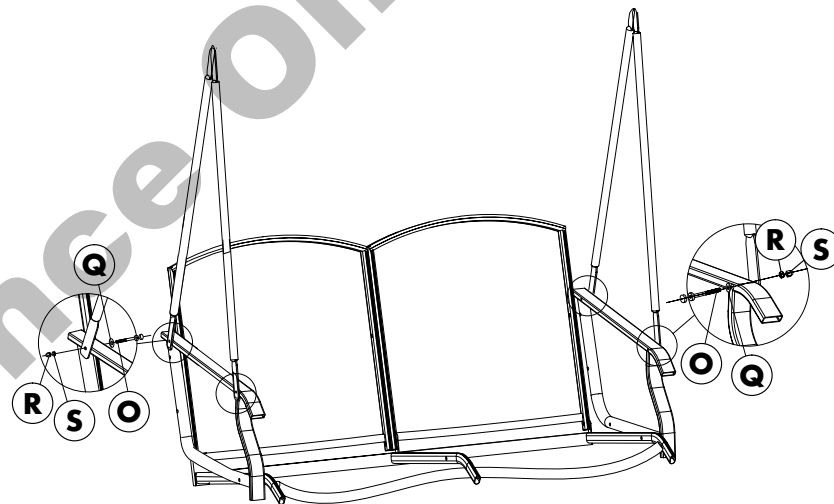
Place Leg Support (B) between Legs (A). Insert two Bolts M6x35 (K) through the remaining eyelets about halfway down legs and into Leg Support (B). Follow this step to secure the opposite side Leg Support (B) to the adjacent Leg (A). Follow these steps to secure the second Leg Support (B) to the remaining set of Legs (A). Tighten all bolts left loose throughout the assemble of the swing frame using Wrench (U) and Hex Key (T).



Step 4:

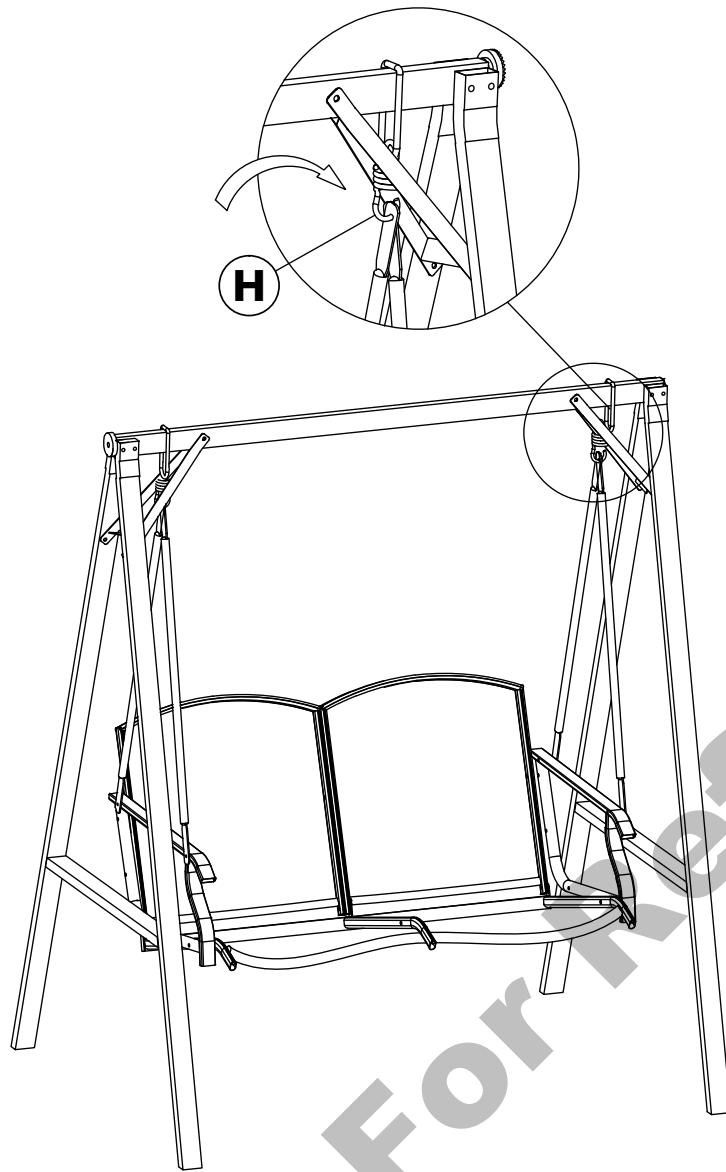
Place the bottom of Armrest (D) against the seat of Swing Seat (F). Insert one Bolt M6x35 (K) through the bottom-front eyelet of Armrest (D), and into the bolt-threading found at the end of the seat support bar underneath the seat of Swing Seat (F). Follow this step to assemble the back half of Armrest (D) to the back seat support of Swing Seat (F).

Insert one M6x45 (M) through the eyelet on the vertical bar of Armrest (D), place a Spacer (V) onto bolt, and into the bolt-threading found on the side of back of Swing Seat (F). Follow these steps to assemble the second Armrest (D) to the opposite side of Swing Seat (F).

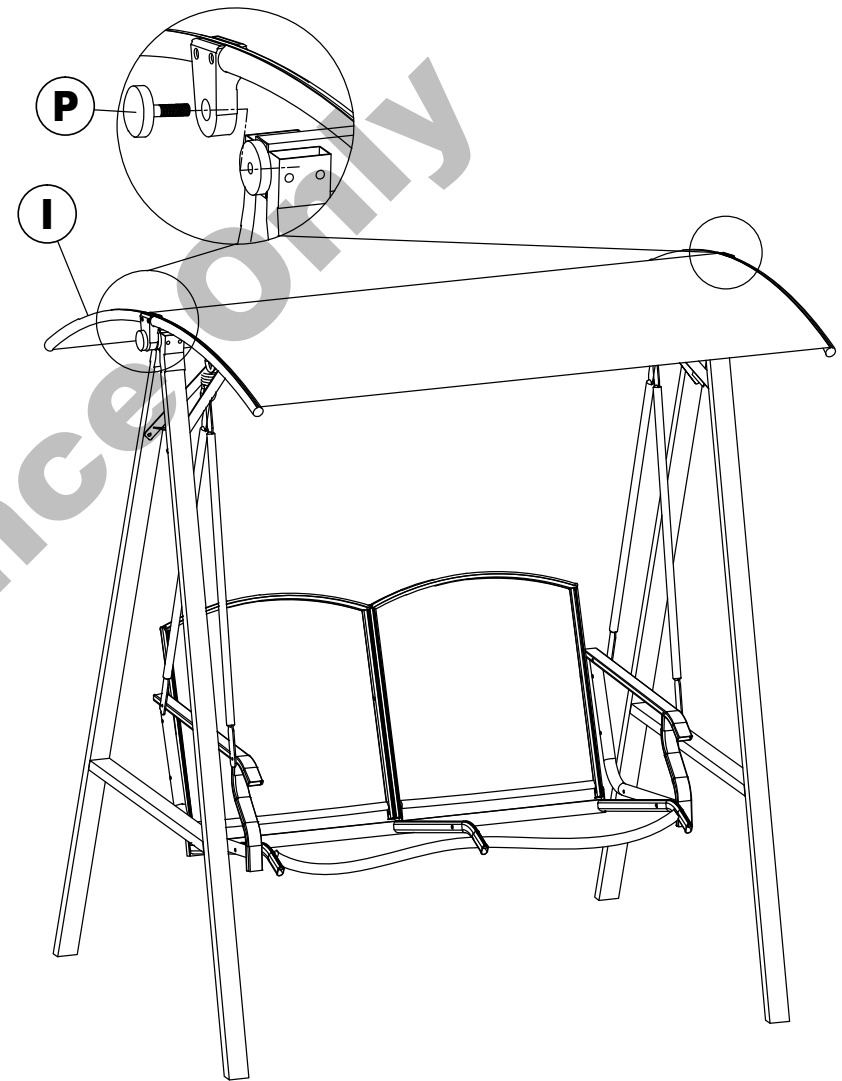


Step 5:

Insert M6x55 Bolt (O) with Washer (Q) through the eyelet on the inside of upper bar of Armrest (D), and through the eyelet at the end of Swing Arm (E). Tighten a Nut (R) halfway down on bolt to hold parts in place with Wrench (U) and Hex Key (T). Follow these steps to assemble a second Swing Arm (E) to the back of Armrest (D). Follow these steps to assemble the second Armrest (D) to the remaining Swing Arms (E). Tighten all bolts left loose throughout the assemble of the swing seat using Wrench (U) and Hex Key (T). Place covers over bolt-heads to hide their appearance.

**Step 6:**

Place one end of Hook (H) through the opposite ends of both Swing Arms (E) on both sides of the swing seat. Place the opposite ends of Hooks (H) through the U-shaped loops of Swing Support (C).

**Step 7:**

Unfurl the Canopy (I) and stretch it out over Swing Support (C). Insert Dials (P) through the eyelets found at the center of canopy bars and into the ends of Swing Support (C). Adjust the canopy to your preference and tighten Dials (P) down to hold Canopy (I) in place. Your swing set is ready to use

LIMITED WARRANTY

Please contact our service hotline by phone, email, or fax when needing assistance with assembly or with faulty parts. This allows us to provide support in the event of possible operator errors.

All furniture manufactured and sold by TDC USA, Inc. is warranted to the original purchaser against defects in workmanship and materials. If a product manufactured by TDC fails during the first year from date of purchase under the terms of our limited warranty, TDC will replace the item at no charge. After one year, it will be the original purchaser's responsibility to pay for freight and packing. TDC reserves the right, in the case of discontinued or out of production models, to replace with an item of similar quality. (Glass breakage is not warranted.)

NOTE: You must retain original receipt to obtain warranty!

FRAMES:

Frames are warranted against defects in materials and workmanship from the date of original purchase. Damage to frames or welds due to commercial use, improper assembly, exposure to water and sub-freezing temperatures, and/or abuse are not covered.

FABRIC:

Fabric on cushions, slings, and umbrellas is warranted against separation at the seams. Fading, mildew, and/or discoloration due to exposure to elements, chemicals, and spills are not covered.

POWDER COAT AND/OR PAINT:

The finish is warranted against blistering, peeling, or cracking. Fading resulting from exposure to the elements, chemicals, and spills are not covered. Scratches and chips due to normal wear and use are not covered.

FREIGHT & PACKING:

TDC will be responsible for shipping, handling, and packaging charges for all valid warranty claims.

CARE & MAINTENANCE:

Be careful to never allow water build up in frames as this will cause corrosion and freeze damage in cold climates. Wash all frames with a solution of mild soap and water. Rinse with clean water and dry with a soft absorbent cloth towel. Frames can be treated with a liquid wax for maximum protection against UV rays and/or salty damp air. If your set includes cushions, slings, and/or an umbrella, they may be cleaned by hand with a solution of soap and water with a clean water rinse.

LIMITED WARRANTY EXCLUSIONS:

- Damage caused by acts of nature
- Wind damage
- Failure caused by unreasonable, unanticipated, or abusive use
- Failure caused by a lack of reasonable and necessary care and maintenance
- Normal fade of fabrics, upholstery, or woven materials
- Glass table tops
- Bursting or cracking of tubing due to exposure to water and freezing temperatures
- Changes in wood color due to the natural aging of the wood

A sales receipt must be provided to validate the 1-Year Limited Warranty.

Customer Service:

Monday - Friday • 9:00 am - 5:00 pm

Phone: 800-599-8898

Email: support@tdcusainc.com

**TDC USA, Inc.
5 Industrial Rd, STE 1
Fairfield, NJ 07004-3017**

Two Person Swing

Steel Frame with Powder Coating

Dist. by TDC USA, Inc. Fairfield, NJ 07004
©2023 All Rights Reserved. Made in China.
Item #21636

Questions and Comments
1-800-599-8898 (9 am - 5 pm EST)
www.tdcusainc.com