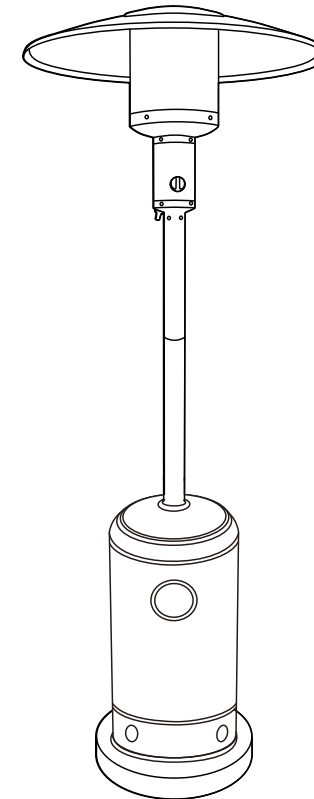


Tower Propane Heater



Tower Propane Heater

Dist. by TDC USA, Inc. Fairfield, NJ 07004
©2020 All Rights Reserved. Made in China.
Item #34021

Questions and Comments
1-800-599-8898 (9 am - 5 pm EST)
www.tdcusainc.com

Assembly Instructions

Made in China

The owner's manual contains important safety information as well as assembly, use and maintenance instructions. Keep the packaging and bags away from children and dispose of all packaging properly before use. Keep this manual for future reference.



**PLEASE DO NOT
RETURN THIS
PRODUCT
TO THE STORE**

We will be happy to correct any problems that you may have, or answer any of your questions regarding the purchase of this product. Please contact us at our Toll Free customer service number 1-800-599-8898 for any assistance and replacement parts. Thank You.

Dist. by TDC USA, Inc. Fairfield, NJ 07004
©2020 All Rights Reserved.
Made in China
Item #34021
www.tdcusainc.com

 **WARNING!**

FIRE OR EXPLOSION MAY RESULT IF INSTRUCTIONS ARE IGNORED
It is the consumer's responsibility to see that the patio heater is properly assembled, installed and taken care of. Failure to follow instructions in the manual could result in bodily injury and/or property damage.

PRECAUTIONS

- Leak test all connections after each tank refill.
- Never check for leaks with a match or open flame.
- Do not store or use gasoline or other flammable substances in the vicinity of this or any other appliance.
- Any LP cylinder not connected for use should not be stored in the vicinity of this or any other appliance.

****FOR YOUR SAFETY IF YOU SMELL GAS****

- Turn off the gas supply at cylinder.
- Extinguish all flames.
- Do not operate any electrical appliances.
- Ventilate the area.
- Check for leaks as detailed in the manual.
- If odor persists, contact your dealer or gas supplier immediately.

**FOR OUTDOOR USE ONLY/USES LP ONLY
PLEASE READ INSTRUCTIONS CAREFULLY BEFORE ASSEMBLY
RETAIN THIS MANUAL FOR REFERENCE.**

- **CHOKING HAZARD** - Small parts. Not suitable for children under 36 months. The product contains small parts, keep children away when assembling.
- **ADULT ASSEMBLY REQUIRED.** Always remove protective material and poly bags and dispose before assembly.

⚠ DANGER!

CARBON MONOXIDE HAZARD

- This appliance can produce carbon monoxide which has no odor.
- Using it in an enclosed space can kill you.
- Never use this appliance in an enclosed space such as a camper, tent, car or home.
- Keep electrical supply cord away from the heated surfaces.



WARNING

Improper installation, adjustment, alteration, service or maintenance can cause injury or property damage. Read the installation, operating and maintenance instructions thoroughly before installing or servicing this equipment.

- For outdoor use only.
- LP cylinders must be constructed and marked in accordance with US DOT specifications.
- Storage of the heater indoors is permissible only if the gas cylinder is turned off and removed.

NOTE:

- Use only 20 lb. LP-Gas tank with size of 18.1 inch/46 cm (height) x 12.5 inch/32 cm (width).
- Do not use if the environment temperature is below 40 degrees F/ 4.4 degrees C.
- The LP gas cylinder must be provided with a listed overfilling prevention device.
- Do not store a spare LP cylinder under or near this appliance.
- Never fill the cylinder beyond 80 percent full.
- The gas pressure regulator provided with this appliance must be used. This regulator is set for an outlet pressure of 11 inches water column.

⚠ WARNING!

This product can expose you to chemicals including carbon monoxide which is known to the State of California to cause birth defects or other reproductive harm. For more information go to www.P65Warnings.ca.gov

PROBLEM	PROBABLE CAUSE	SOLUTION
<i>Burner will not light</i>	Burner injector is clogged Low gas supply pressure	Clean the burner injector Call your gas supplier
<i>Burner flame goes off immediately after ignition</i>	Low gas pressure	Call your gas supplier
<i>Ignition is delayed</i>	Main burner carryover ports are clogged Low gas pressure	Clean the main burner ports Call your gas supplier
<i>Combustion on the burner is inadequate</i>	Not enough air	Check the air passageways and burners for dirt and debris, and clean with compressed air
<i>Burner flame is low</i>	Supply hose is bent or twisted Blockage in the burner injector	Straighten the hose and perform a leak test Clean or replace the burner injector
<i>Emitter glows uneven</i>	Blockage in the burner injector Base is not on a level surface Low gas pressure	Clean or replace the burner injector Place heater on a level surface Replace the cylinder with a new cylinder
<i>Slight smoke and odor during initial operation</i>	This is residue from the manufacturing process	This will stop after approximately 30 minutes of operation
<i>Thick black smoke</i>	Blockage in the burner	Turn off the heater and let it cool. Remove the blockage and clean the inside and outside of the burner
<i>Heater produces a whistling noise when the burner is lit</i>	Air passageways are blocked Air in the gas line	Check the minimum installation clearances and air passageways for debris Operate the burner until the air is completely purged
<i>Heater produces a clicking noise just after the burner is lit or turned off</i>	The metal is expanding and contracting	This is common with heaters. If noise is excessive, contact a qualified service person
<i>Gas odor even when the control knob is in the OFF position</i>	There is a gas leak Gas control is defective	Locate and correct the leak immediately Replace gas control
<i>Gas odor during combustion</i>	Foreign matter in the gas or on the burner ports Heater is burning vapors from paint or impurities in the air Gas leaking from the regulator and hose connection, the valve and pipe connections, and the pipes	Check the gas passageway and burner Stop storing and using odor causing products near the heater Locate and correct the leaks, or contact your gas supplier
<i>Carbon build-up</i>	There is dirt or film on the reflector and flame screen	Clean the reflector and flame screen

MAINTENANCE AND STORAGE

To enjoy years of outstanding performance from your heater make sure you perform the following maintenance routines on a regular basis:

- Keep exterior surfaces clean:
 - Use warm soapy water for cleaning. Never use flammable, corrosive or abrasive cleaners.
 - While washing your unit, be sure to keep the area around the burner and pilot assembly dry at all times. If the gas control is exposed to water in any way, DO NOT try and use it. It must be replaced.
- At least once a year, the unit should be inspected for spiders, spider webs or other insects; air flow might be obstructed.
- Keep controls, burner and circulating air passageways clean. Signs of possible blockage include:
 - Gas odor with extreme yellow tipping of flame
 - Heater does not reach the desire temperature
 - Heater glow is excessively uneven
 - Heater makes popping noises
- Spiders and insects can nest in burners or orifices. This could damage the heater and render it unsafe for use. Clean burner holes by using a heavy duty pipe cleaner. Compressed air may help clear away smaller particles.
- Carbon deposits may create a fire hazard. Clean reflector and glass tube with soapy water if any carbon deposits develop. Always be careful when cleaning the glass tube.

STORAGE

Between Uses:

- Turn the control knob to OFF position.
- Turn the LP cylinder to the OFF position.
- Store the heater upright in an area sheltered away from weather conditions such as rain, sleet, hail, and snow.
- If desired, cover heater to protect exterior surfaces and to help prevent dust and debris collecting in air passages. Do not apply cover until heater has completely cooled.

DURING PERIODS OF EXTENDED INACTIVITY OR WHEN TRANSPORTING:

- Turn the control knob to OFF position
- Disconnect LP cylinder and move to a secure, well ventilated location outdoors. DO NOT store in a location that will exceed 120 degrees Fahrenheit.
- Store heater upright in an area sheltered away from weather conditions such as rain, sleet, hail, and snow.
- If desired, cover heater to protect exterior surfaces and to help prevent dust and debris collecting in air passages. DO NOT apply cover until heater has completely cooled.

WARNING FOR YOUR SAFETY

- DO NOT touch or move heater for a least 45 minutes after each use.
- Allow all burner elements to cool before touching.

NOTE

- In a salt air environment (such as near an ocean) corrosion occurs more quickly than normal.
- Frequently check for corroded areas and repair them promptly.
- Wait until heater is cool before covering.


WARNING!

This heater must be used outdoors only.

Using this product in an enclosed area may cause injury, death or property damage. Read instructions before use.

This heater must be used in accordance with your local area's regulations and bylaws.

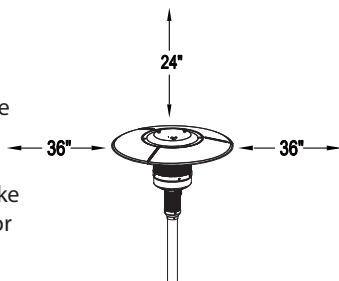
- Installation and service should be done by a qualified person.
- Do not use the heater in an explosive atmosphere (i.e. areas where gasoline or other flammable liquids or vapors are stored).
- Before use, check the regulator.
- Disconnect LP cylinder before moving the heater.
- Do not attempt to alter any part of heater.
- Example: Using the heater without reflector or protection guard.
- The heater should not be used in basements or below ground level.
- The heater must always be placed on a solid and level surface.
- Never replace or substitute the regulator with a regulator that does not meet the specifications on page 4.
- Do not clean the heater with cleaners that are combustible or corrosive.
- Do not paint any part of the heater.
- The LP cylinder valve should be turned off and disconnected when the heater is not in use.
- Do not use heater when it is raining, and do not let any liquid splash on the glass tube when the heater is working.
- Keep children away from the heater. Always be careful not to knock over the heater, as this could cause injury.
- Do not move the heater when in operation.
- After a long break of operation, the gas parts in the control box of the heater and the hose should be inspected for spiders, spider webs or other insects.
- Check the heater immediately if any of the following exists:
 1. There is smell of gas.
 2. The heater is not burning properly.
 3. The burner makes popping noise during use (a slight popping noise is normal when the burner is extinguished after use).
- If you smell gas, turn off the valve immediately. If the smell persists, contact your dealer of gas supplier immediately.
- The hose with regulator assembly should be stored in a safe place to avoid accidental damage.
- Children and adults should be aware of the high surface temperature hazard of the heater, and should keep a safe distance away to avoid clothes burning or igniting.
- Young children should be carefully supervised when they are in the working area of the heater.
- Clothing or other flammable material should not be hung from the heater, or placed on or near heater.

⚠ WARNING!

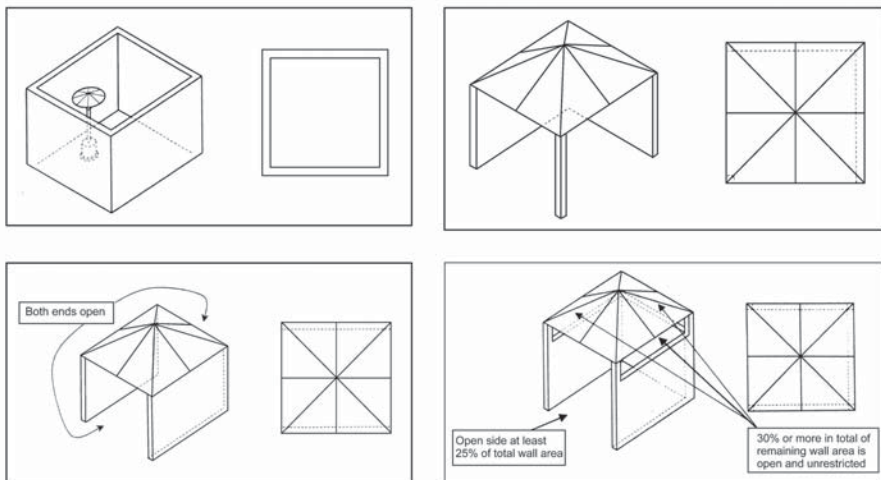
- Do not obstruct the ventilation holes of the cylinder housing.
- Shut off the valve of gas cylinder or the regulator before moving the appliance.
- The tubing or the flexible hose must be changed within the prescribed intervals.
- Use only the type of gas and the type of cylinder specified by the manufacturer.
- In case of violent wind, particular attention must be taken against tilting of the heater.
- Storage of the heater indoors is permitted only if the cylinder is disconnected and removed from the appliance.
- Do not store a spare LP cylinder under or near this heater.
- Never fill the cylinder beyond 80 percent full.

👤 HEATER PLACEMENT AND LOCATION

- The heater is for outdoor use only.
- Do not use it indoors or in enclosed areas.
- Always ensure that adequate fresh air ventilation is provide.
- Always maintain proper clearance from combustible materials (Top - 24 inches, Side: 36 inches)
- Heater must be placed on level firm ground.
- Never operate heater in an explosive atmosphere like in areas when gasoline or other flammable liquids or vapors are stored.



DIAGRAMMATIC REPRESENTATIONS OF OUTDOOR AREAS



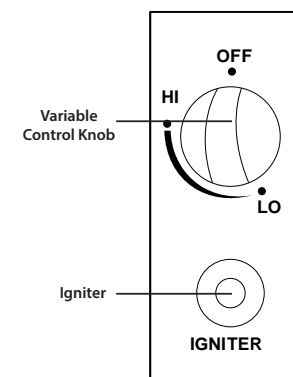
👤 OPERATION

Before performing a leak test, be sure that no sparks can occur and you are in a spacious outdoor area. Connect the propane gas tank to the regulator and turn the valve on the unit to the OFF position. Brush a soap and water mixture on all connections. Turn the gas supply on; if bubbles occur on any connection there may be a leak. **If you smell gas or a leak is discovered turn the gas valve off, disconnect propane gas tank and do not use the appliance until the leak is repaired.**

Do not use the heating unit without inspecting the gas hose. If there are signs of wear or abrasion you must replace the hose (if applicable).

TO LIGHT

- Turn on the valve on the gas supply cylinder.
- Press and turn the variable control knob to the HI position.
- Press down the variable control knob and hold for 30 seconds.
- While holding down the variable control knob, press the igniter button several times until the burner head flame ignites. Release the variable control knob 10 seconds after the ignition.
- If a new tank has just been connected, allow at least one minute or more for the air in the gas pipeline to purge out.
- The flame can be watched and checked from the viewing hole located on the base of the burner.
- Turn the variable control knob to the LO position for 5 minutes or more before turning the knob to desired temperature setting. If a small flame is needed, turn the variable control knob to the LO position.
- If the burner flame goes out accidentally or it is blown out by wind, turn off the heater and wait at least 5 minutes or more to let the gas dissipate before lighting again to avoid possible gas explosion. Repeat steps 2 through 4.

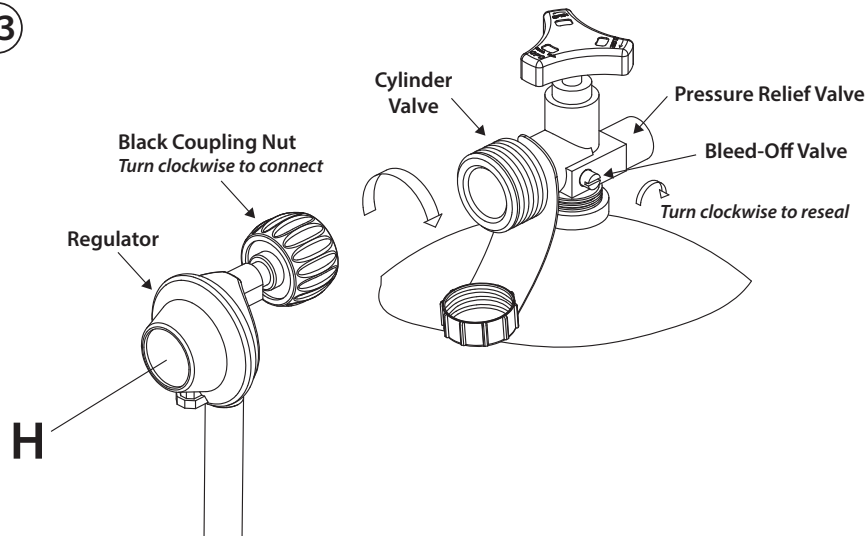


When lit for the first time the heater may emit a slight odor and smoke. This is a normal and temporary condition. Emitter screen will become a bright red due to the heat. The color is more visible at night. Flame patterns should be a blue flame; these flames should not be yellow in color; indicating an obstruction of airflow through the burners.

TO EXTINGUISH

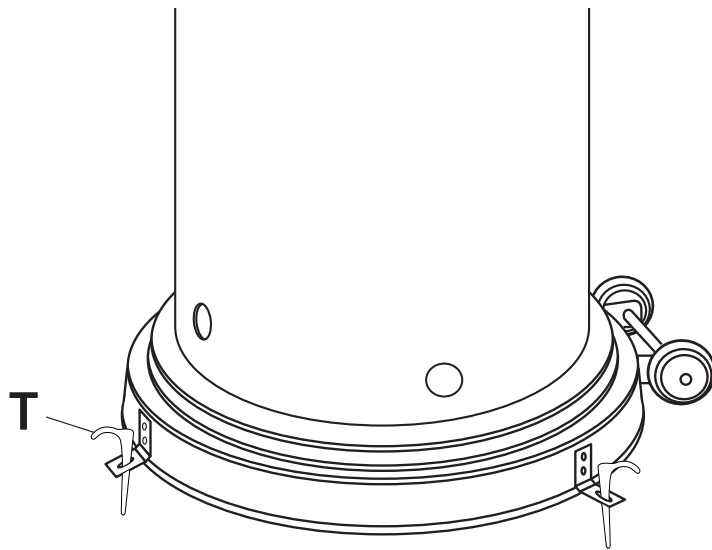
- Turn control knob clockwise to the OFF position.
- Close the cylinder valve on the propane gas tank if you don't intend to use it for a long time.
- Before performing any maintenance always disconnect propane gas tank
- Keep the heating item free and clear from combustible materials.
- Visually inspect burner for obstructions and keep tank enclosure free and clear from debris.
- Use a soft brush to get rid of the mild stains, loose dirt and soil after the burner is completely cooled down. Wipe down with a soft cloth.
- Harsh weather conditions may cause stubborn stains, discoloration and possibly rust pitting.
- Permanent damage may occur if powder or solvent comes in contact with painted or plastic components on this heating unit.
- Keep the heating unit stored away from direct sunlight.
- If storing this unit inside, disconnect the propane gas tank from the gas valve.
- Not using manufacturer approved or supplied parts/accessories may result in a defective condition and void the warranty of this heating unit.
- Always place lid (if applicable) or protective cover on heating item when not in use.

13

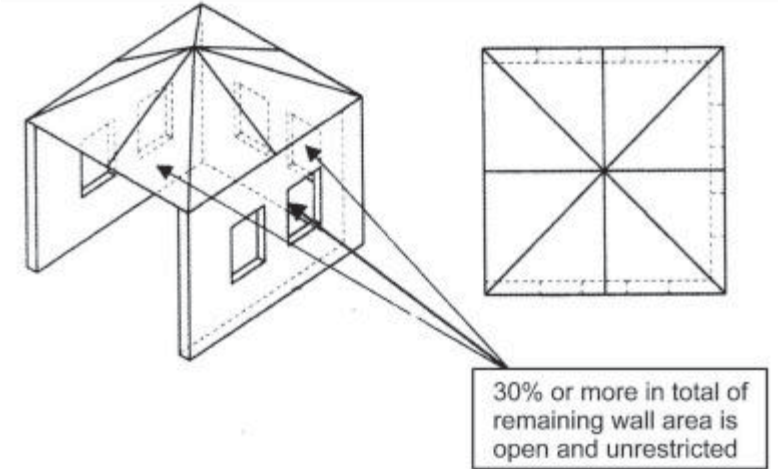


Turn the valve on the LP cylinder tank clockwise to close the propane tank. Attach the Regulator (H) to the LP cylinder tank by turning the coupling nut clockwise. Ensure that the connection is tight and secure.

14



Use a hammer to drive the three Stakes (T) through Anchoring Arms (S), and into the ground to hold the Patio Heater in place.



LEAK TESTING

WARNING!

DO NOT SMOKE WHILE LEAK TESTING.

Gas connections on the heater are leak tested at the factory prior to shipment. Possible mishandling of the heater during the shipment might contribute to product integrity as a whole. A complete gas leakage test must be performed again at the installation site.

Please follow the procedure below for leakage test.

1. Make a soapy solution of one part liquid detergent and one part water. The soapy solution can be applied with a spray bottle, brush or rag. Soap bubbles will appear where the leak is present.
2. Make sure the control tap is in the "OFF" position (full disk = •) on the control panel.
3. Turn on the gas supply and check for bubbles on the hoses and connections. If the solution starts to bubble that means that a leak is present.
4. If a leak is present, turn OFF the gas supply immediately, tighten any leaking fittings carefully and recheck to see if it still continues to leak.
5. Never leak test while smoking.

Important Safety Rules: This heater is for OUTDOOR USE ONLY

1. This heater shall not be installed or used indoors, in buildings, garages or any other enclosed area.
2. DO NOT place articles on or against this heater.
3. DO NOT use or store flammable materials near this heater.
4. Children and adults should be aware of the high surface temperature hazard and should keep a safe distance away to avoid clothes burning or igniting.
5. Children should be carefully supervised when they are in the area of the heater.
6. NEVER hang anything including clothes or other flammable items on the heater.
7. DO NOT operate this heater unless it is fully assembled with the reflector in place.
8. DO NOT SPRAY AEROSOLS IN THE VICINITY OF THIS HEATER WHILE IS IN OPERATION.
9. Installation and repair should be done by a qualified person. The heater must be inspected before use and at least annually by a qualified person. More frequent cleaning may be required as necessary. It is imperative that control compartments, burners and circulating air passages of the heater and light be kept clean and free from insect/spider infestation.

TOOLS NEEDED

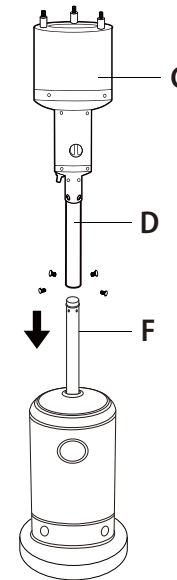
TOOLS NEED:

- Open end wrench (10 & 13 mm), included.

NOT INCLUDED:

- Adjustable opening wrench 8 inches long.
- Screwdriver.
- Spray bottle of soapy solution for leak testing.
- Hammer.

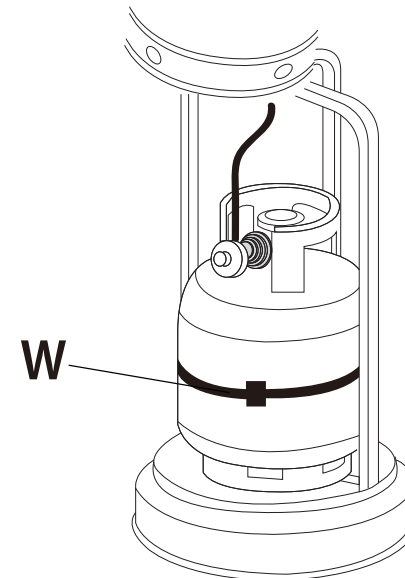
11



Hardware Used:
4x Bolts and Nuts
(Pre-assembled)

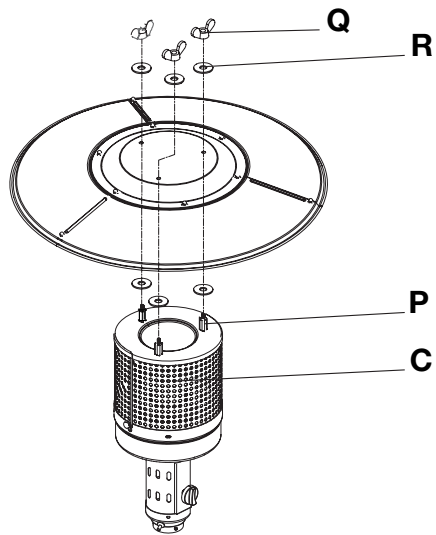
Unscrew the four Bolts that are preassembled near the top of Post Support (F). Insert Regulator (H) through Post Support (F). Insert Post (D) over the end of Post Support (F). Tighten down the Bolts through the bottom of Post (D) and back into the top of Post Support (F).

12



Lift the Tank Housing (E) up and place your 20lbs LP cylinder tank in the center of the Base (I). Use the Strap (W) to hold the tank in place.

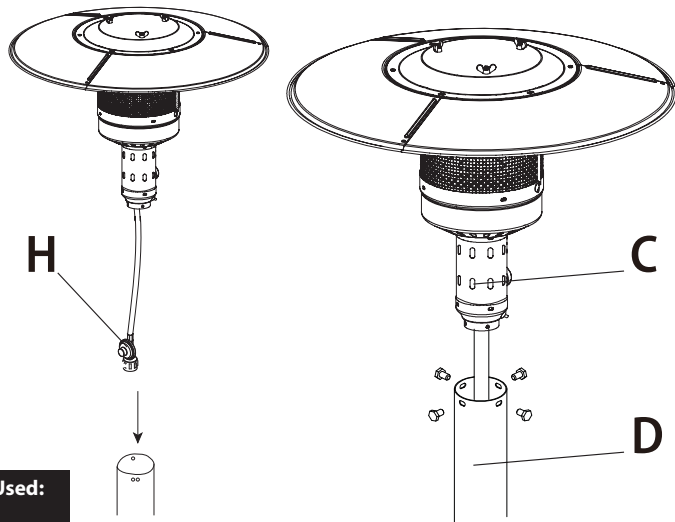
9



Hardware Used:
6x Washers
3x Wingnuts

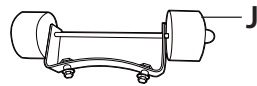
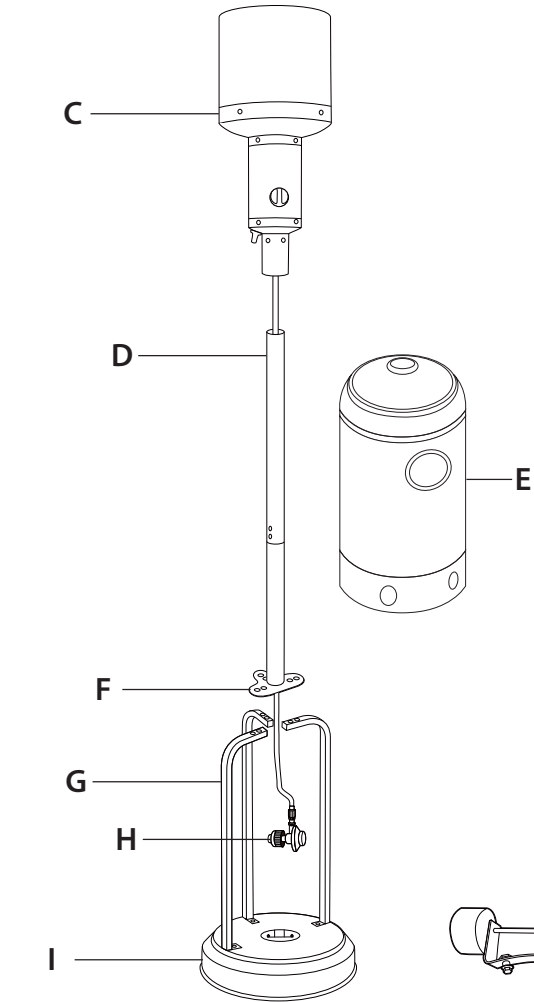
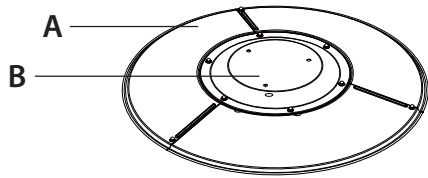
Place three Washers (R) through the top-ends of the Studs (P). Place the assembled reflector through the top-end of studs, use another three Washers (R), and screw down three Wingnuts (Q) to hold reflector in place.

10



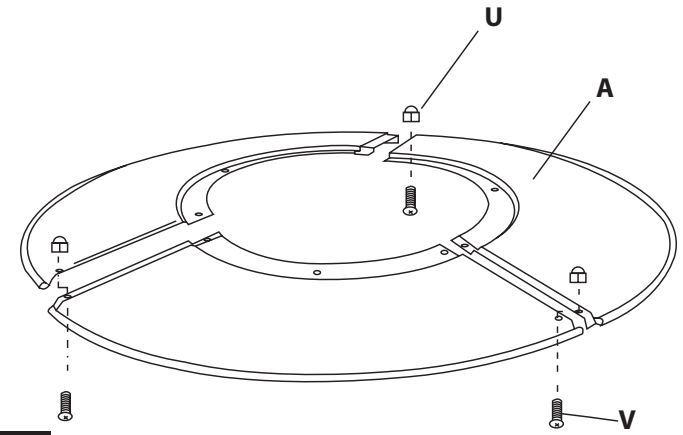
Hardware Used:
4x Bolts
(Pre-assembled)

Unscrew the four Bolts that are preassembled near the bottom of the Head Assembly (C). Insert the Regulator (H) through Post (D). Tighten down the Bolts through the top of Post (D) and back into the Head Assembly (C).



K	L
M	N
O	P
Q	R
S	
T	
U	V
W	

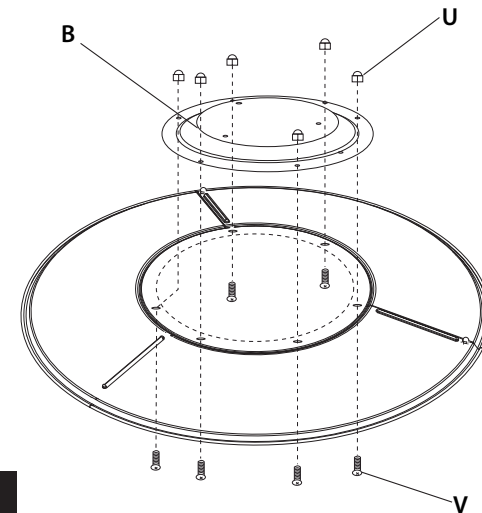
7



Hardware Used:
3x Screws and Nuts

Note: Remove the protective film from the three Reflector Panels (A) before proceeding further. Slide two Reflector Panels (A) together and insert one Small Screw (V) through the panels [underneath] along the outer rim and use one Cap Nut (U) to hold the parts together. Follow this step to assemble the remaining Reflector Panel (A) to the two previously assembled. Note: Do not tighten Cap Nuts (U) down until Step 8 has been completed.

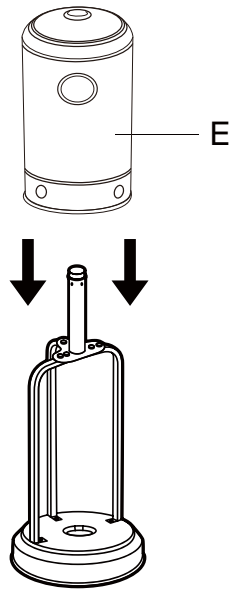
8



Hardware Used:
6x Screws and Nuts

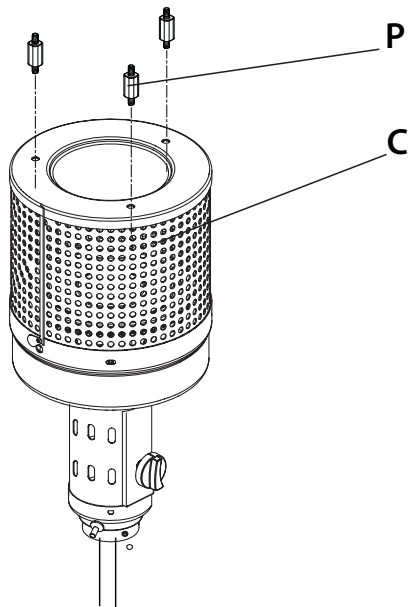
Note: Remove the protective film from the Center Reflector (B). Place Center Reflector (B) on top of the previously assembled Reflector Panels (A). Insert six Small Screws (V) through the inner rim of the Reflector Panels (A) [underneath], through the eyelets on the outer rim of the Center Reflector (B), use six Cap Nuts (U) to hold the parts together. Once all parts are assembled, tighten all Cap Nuts (U).

5



Place the Tank Housing (E) over the previously assembled parts so that it rests upon the Base (I).

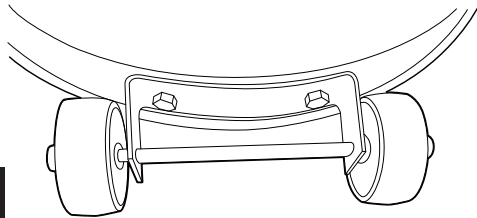
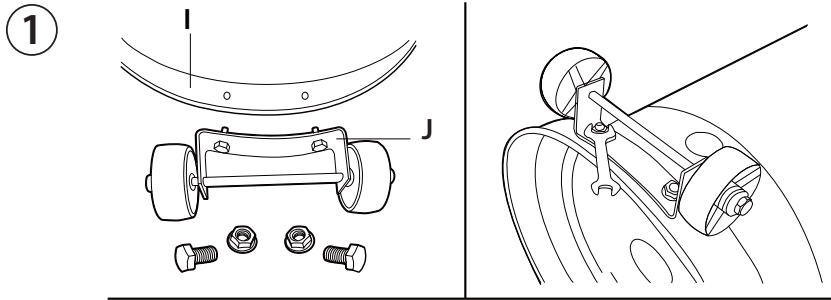
6



Hardware Used:
3x Studs

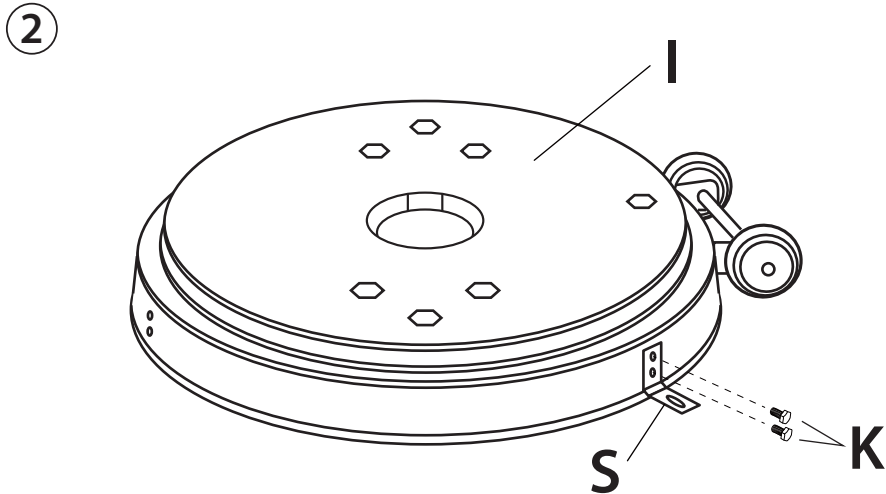
Screw down one end of the three Studs (P) into the top of the Head Assembly (C).

ITEM	DESCRIPTION	QTY.
A	Reflector Panel	3
B	Center Reflector	1
C	Head Assembly	1
D	Post	1
E	Tank Housing	1
F	Post Support	1
G	Support Legs	1
H	Regulator	1
I	Base	1
J	Wheel Assembly	1
K	M6x10 Bolt	8
L	M6 Nut	14
M	M8 Bolt	3
N	M6x22 Bolt	6
O	Wrench	1
P	Stud	3
Q	Wing Nut	3
R	Washer	6
S	Anchoring Arm	3
T	Stake	3
U	Cap Nut	9
V	Small Screw	9
W	Strap	1



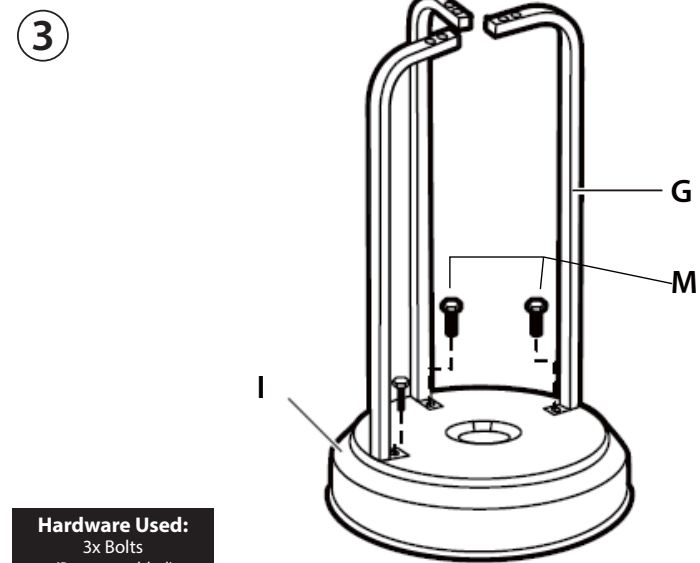
Hardware Used:
2x Bolts and Nuts
(Pre-assembled)

Place the base of the Wheel Assembly so that it is flush with the side of the Base (I). Insert two M6x10 Bolts (K) through the Wheel Assembly (J), through the Base (I), and tighten down using two M6 Nuts (L).



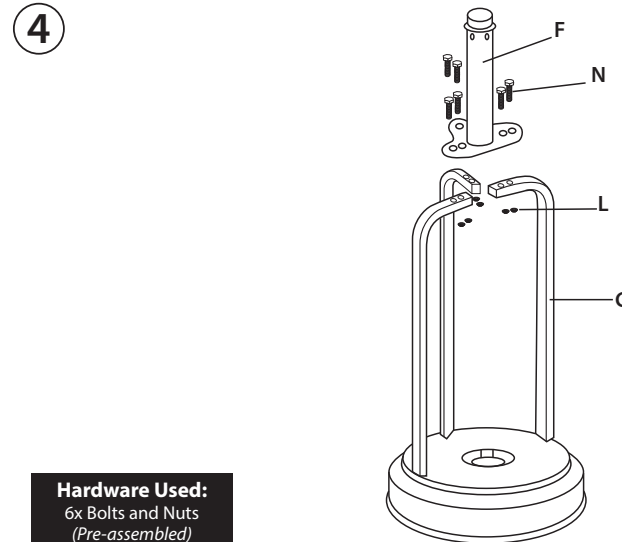
Hardware Used:
6x Bolts and Nuts
(Pre-assembled)

Insert two M6x10 Bolts (K) through the two eyelets of an Anchoring Arm (S), through a set of eyelets found on the side of the Base (I), and tighten down using two M6 Nuts (L). Follow this step to assemble the remaining two Anchoring Arms (S) to the Base (I).



Hardware Used:
3x Bolts
(Pre-assembled)

Insert one M8 Bolt (M) through the bottom Support Leg (G) and into the top of Base (I). Follow this step to assemble the remaining two Support Legs (G) to the Base (I).



Hardware Used:
6x Bolts and Nuts
(Pre-assembled)

Place Post Support (F) on top of the three Leg Supports (G). Insert two M6x22 Bolts (N) through the base of Post Support (F), through the top of Leg Support (G), and tighten down using two M6 Nuts (L). Follow this step to assemble the Post Support (F) to the two remaining Support Legs (G).