

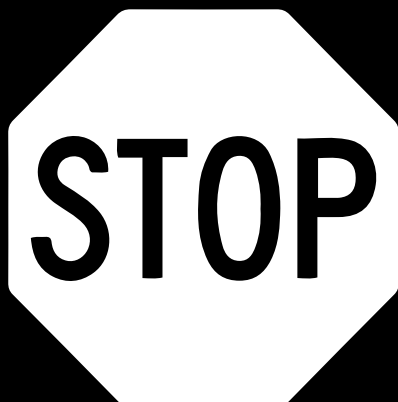
# 30 inch Steel Fire Pit



## Assembly Instructions

### **Made in China**

The owner's manual contains important safety information as well as assembly, use and maintenance instructions. Keep the packaging and bags away from children and dispose of all packaging properly before use. Keep this manual for future reference.



**PLEASE DO NOT  
RETURN THIS  
PRODUCT  
TO THE STORE**

**We will be happy to correct any problems that you may have, or answer any of your questions regarding the purchase of this product. Please contact us at our Toll Free customer service number 1-800-599-8898 for any assistance and replacement parts. Thank You.**

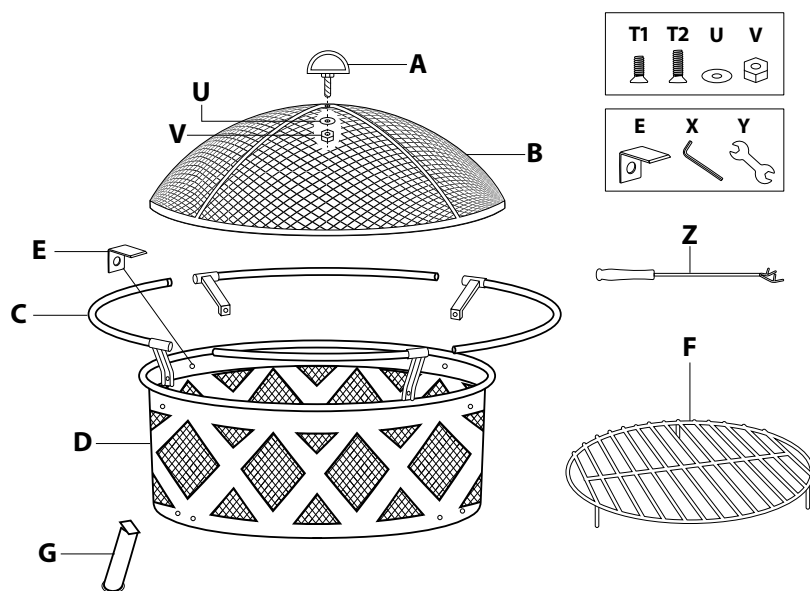
Dist. by TDC USA, Inc. Fairfield, NJ 07004  
©2020 All Rights Reserved.  
Made in China  
Item #21719  
[www.tdcusainc.com](http://www.tdcusainc.com)

**⚠ WARNING!**

Prior to assembly, please read these instructions carefully. We suggest you carry out assembly on a soft surface to avoid scratching the surfaces of parts. Please note, with these parts being made of cast iron, there may be rough areas on their surfaces. Any rough areas found on parts are not considered defects.

- Do not discard any packaging until you have checked that you have all parts and hardware pack.
- Keep children away during assembly. This product contains small parts which can be swallowed by children.
- Retain the assembly instructions for future reference.
- Keep all children and pets away from assembly area. Children and pets should be supervised when they are in the area of the product construction.

- **CHOKING HAZARD** - Small parts. Not suitable for children under 36 months. The product contains small parts, keep children away when assembling.
- **ADULT ASSEMBLY REQUIRED.** Always remove protective material and poly bags and dispose before assembly.



PART	PART NAME	NUMBER OF PARTS
A	Mesh Cover Handle	1
B	Mesh Cover	1
C	[1/4] Top Ring	4
D	Fire Bowl	1
E	Bracket	4
F	Log Grate	1
G	Legs	3
T1	1/4" x 3/8" Bolt	6
T2	1/4" x 3/4" Bolt	4
U	Washer	5
V	Nut	5
X	Alan Wrench	1
Y	Wrench	1
Z	Poker	1

1. Insert Legs (G) into grooves found underneath the Fire Bowl (D). Insert two 1/4" x 3/8" Bolts (T1) through the rim of these groove, through the base of the leg, and into the screw-threading of the Fire Bowl (D) base.
2. Place one Bracket (E) on the inside-top of Fire Bowl (D) and insert one 1/4" x 3/4" Bolt (T2) through Bracket (E), through one Washer (U), through one [1/4] Top Ring (C) on the outside-top of the Fire Bowl (D), and use one Nut (V) to hold parts in place. **Do not tighten bolts completely until the remaining Brackets (E) and [1/4] Top Rings (C) have been assembled.**
3. Connect a second [1/4] Top Ring (C) to the end of the first [1/4] Top Ring (C). Assemble a second Bracket (E) with the second [1/4] Top Ring (C) using one 1/4" x 3/4" Bolt [T2], one Washer (U), and one Nut (V) to hold parts in place.
4. Follow Step 3 to assemble the remaining two Brackets (E) and [1/4] Top Rings (C) to Fire Bowl (D). See the illustration on page 4 for the correct orientation of the Brackets (E) before tightening bolts all the way down.
5. Assemble the Mesh Cover Handle (A) to the Mesh Cover (B) using one Washer (U), and one Nut (V). Place the Mesh Cover (B) on top of Brackets (E).

## Care and Maintenance

- Clean the Fire Bowl (D) after each use and use the Mesh Cover (B) to protect the unit from the elements when not in use to extend the life of the product.
- Use sandstones or small stones to cover the inside-bottom of the Fire Bowl (D) before each use to maintain the color coating.
- Clean the surface with a soft cloth to maintain the product's finish. **Never use wire brushes.**
- If the metal surfaces become scratched, it is recommended to use paint to cover those scratches. Painting over scratches will help to prevent rusting. Ask a professional for advice on which paint would work best for a cast iron fire pit.
- During periods of time when not in use, it is recommended to stow this product in an enclosed structure.
- Do not use acidic or abrasive cleaning materials on the surfaces of this product.

Users should exercise care and caution when using this product. This product is for outdoor use only and the cast iron surfaces will become very hot while in use.

#### Before Setting Up

This product should be used outdoors only. When using on a patio or deck, the area should be clear of debris and belongings. This product is meant to be used out in the open and not under an awning, roof, or other coverings.

Always use on a flat surface and away from anything that could catch fire. Always stay near the fire pit when in use and always keep an eye on the fire.

#### WARNING

- DO NOT use if you suffer from heart or lung conditions due to smoke inhalation may exacerbate existing ailments.
- DO NOT move this product while in use [while alight].
- DO NOT sit too close to this product while in use.
- DO NOT overfill the fire pit with logs or coal before or during use.
- DO NOT use accelerants to light the fire.
- DO NOT use during adverse weather conditions.
- Keep flammable liquids away from this product while in use as they may catch fire from the emitting heat.

Only handle burning logs using the provided poker. Use the poker to lift the mesh cover when needed. Do not touch the mesh cover or the handle with your bare hands or with oven mitts.

Keep a safe distance from this product while in use. Keep children and pets away while in use.

Adults should assemble and handle care and maintenance for this product.

Clear the area of combustible materials including but not limited to leaves, paper, glass, and pine needles while in use.

Approach this product with caution while in use to avoid injury and burns.

#### Consideration Before Use

Check with your local fire department for regulations and recommendations on using a fire pit in your area. Burnt logs may remain hot and smoldering for up to 24 hours after a fire has been extinguished. Fire pits are a common cause of injury and burns, especially for children. The surfaces of this product will discolor due to the material from which it is made, exposure to the elements, and from normal usage.

#### Choosing a Location for Setup

Fire pits should be assembled and placed in a safe location. Do not place this product near walls, buildings, outdoor furniture, inflatable pools, or other flammable or combustible items. Place on a non-flammable surface, clear of overhanging objects.

#### Using Your Fire Pit

This product is for outdoor use only and will become very hot while in use. Using anything other than wood or coal can be dangerous. Do not use highly flammable items such as rags, clothing, paper towels, tissue, or other items that could burn out of control. Do not use petrol, alcohol, lighter fluid, turpentine, kerosene, or similar substances to light a fire. Never leave the product unattended while in use.

#### Wind

Fire pits should not be used when winds are strong. Wind would cause the fire to blow around which could spread burning embers. Always keep an eye on the flame to ensure no small embers escape. Do not place the fire pit near anything that could catch fire.

#### People & Pets

Ensure everyone near the fire pit understands it is an open flame that produces smoke and embers. Do not allow children or pets to get too close to the fire pit to avoid smoke inhalation and burns.

#### Extinguishing the Fire Properly

A fire pit can be dangerous if the fire is not extinguished properly. Do not extinguish a fire by pouring water into a hot fire bowl which may cause warping of the product's surfaces, rusting, or flaking of paint. A fire should be allowed to die out on its own or with the use of a fire extinguisher. It is important to know that a fire can continue to smolder, and embers remain hot, even when there isn't a visible flame. Stay near the fire pit after the flame is out to check for burning embers or smoke. When in doubt and once the fire pit has had enough time to cool down, pour water over the spent logs or coal used to fuel the fire. The fire pit could still remain hot hours after use.

#### Cleaning the Fire Pit

Once the fire is out and the fire pit has cooled down and there is no danger of being burned, dispose of the remaining ashes and wood or coal, then wipe the product with a rag and water. **Do not use chemical based cleaners** which may reignite any fuel (wood or coal) previously used.

#### Storage

It is recommended to keep the fire pit out of the rain. Once you are confident the fire has been extinguished and the fire pit is no longer hot, clean it and stow it away in an enclosed structure.

# **30 inch Steel Fire Pit**

Dist. by TDC USA, Inc. Fairfield, NJ 07004  
©2020 All Rights Reserved. Made in China.  
Item #21719

**Questions and Comments**  
**1-800-599-8898 (9 am - 5 pm EST)**  
**[www.tdcusainc.com](http://www.tdcusainc.com)**