

Outdoor Sling Bar with Canopy

Steel Frame with Powder Coating



Assembly Instructions

Made in China

The owner's manual contains important safety information as well as assembly, use and maintenance instructions. Keep the packaging and bags away from children and dispose of all packaging properly before use. Keep this manual for future reference.



**PLEASE DO NOT
RETURN THIS
PRODUCT
TO THE STORE**

We will be happy to correct any problems that you may have, or answer any of your questions regarding the purchase of this product. Please contact us at our Toll Free customer service number 1-800-599-8898 for any assistance and replacement parts. Thank You.

Dist. by TDC USA, Inc. Fairfield, NJ 07004

©2022 All Rights Reserved.

Made in China

Item 21881

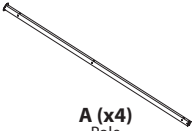
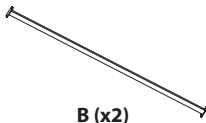
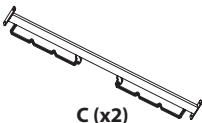


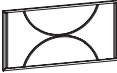

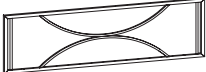
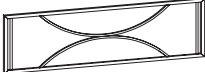







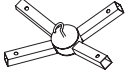
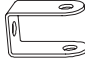
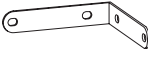


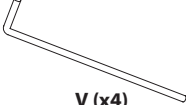





www.tdcusainc.com



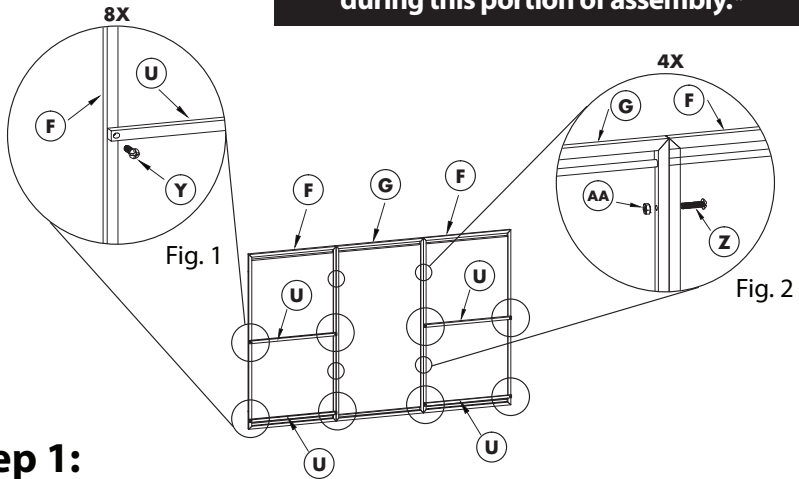
WARNING!

- **Keep all children and pets away from assembly area. Children and pets should be supervised when they are in the area of the product construction.**
- **Some parts may contain sharp edges. When assembling and using this product, basic safety precautions should always be.**
- **Please read all the instructions and warnings before assembling. In order to make the whole product adjust to the best, please install all the screws on the product and tighten all the screws after adjusting the product which can stand on the floor even. Not intended for commercial use.**
- **Check all bolts for tightness before use.**
- **IMPORTANT - check and tighten bolts often to keep them secure**
- **Read all the instructions before assembly. Failure to do so may result in faulty assembly and potential injury! Assemble product on a soft, non-abrasive surface such as a carpet or cardboard to avoid damaging**

- **CHOKING HAZARD** - Small parts. Not suitable for children under 36 months. The product contains small parts, keep children away when assembling.
- **ADULT ASSEMBLY REQUIRED.** Always remove protective material and poly bags and dispose before assembly.

 <p>A (x4) Pole</p>	 <p>B (x2) Crossbeam</p>	 <p>C (x2) Rack</p>
 <p>D (x4) Two Tier Ribs</p>	 <p>E (x2) Beam</p>	 <p>F (x2) Panel</p>
 <p>G (x1) Panel</p>	 <p>H (x1) Panel</p>	 <p>I (x1) Panel</p>
 <p>J (x4) Panel</p>	 <p>K (x2) Shelves</p>	 <p>L (x2) Shelves</p>
 <p>M (x2) Shelves</p>	 <p>N (x1) Counter</p>	 <p>O (x1) Counter</p>
 <p>P (x1) Bar</p>	 <p>Q (x1) Connector</p>	 <p>R (x4) Rib Brace</p>
 <p>S (x4) Corner Brace</p>	 <p>T (x4) Panel Brace</p>	 <p>U (x4) Panel Brace</p>
 <p>V (x4) Stake</p>	 <p>W (x1) Canopy</p>	 <p>X (x36) M6*15 Bolt</p>
 <p>Y (x44) M6*28 Bolt</p>	 <p>Z (x12) M6*40 Bolt</p>	 <p>AA (x16) Nut</p>

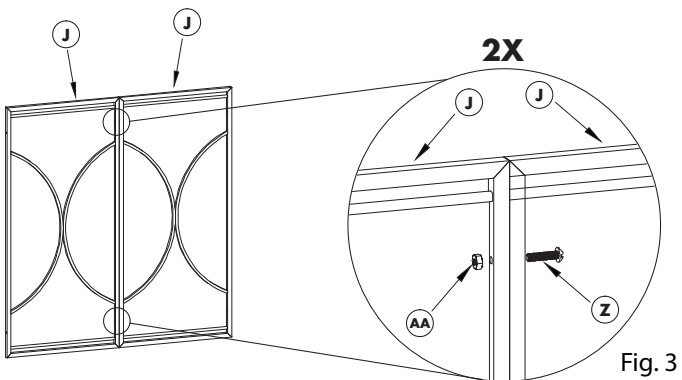
Do not tighten bolts down completely during this portion of assembly.



Step 1:

Insert one M6x28 Bolt (Y) through either end of Panel Brace (U), and into the bolt-threading found in the middle of Panel (F), see Fig. 1. Follow this step to secure a second Panel Brace (U) to the bottom of Panel (F). Follow these steps to secure remaining U's to the remaining F's.

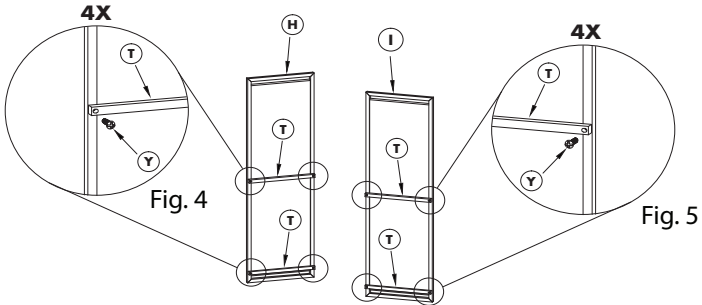
Insert two M6x40 Bolts (Z) through eyelets on the side of Panel (F), through eyelets on the side of Panel (G), and use two Nuts (AA) to hold parts together, see Fig. 2. Follow this step to secure remaining F to the opposite side of G.



Step 2:

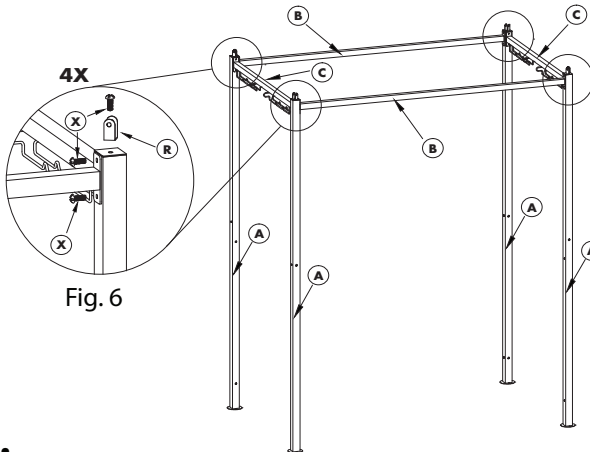
Insert two M6x40 Bolts (Z) through eyelets on the side of Panel (J), through eyelets of a second J, and use two Nuts (AA) to hold parts together, see Fig. 3. Follow this steps to assemble remaining two J's.

Do not tighten bolts down completely during this portion of assembly.



Step 3:

Insert one M6x28 Bolt (Y) through either end of Panel Brace (T), and into the bolt-threading found in the middle of Panel (H), see Fig. 4. Follow this step to secure a second Panel Brace (T) to the bottom of Panel (H). Follow these steps to secure remaining T's to Panel (I), see Fig. 5.



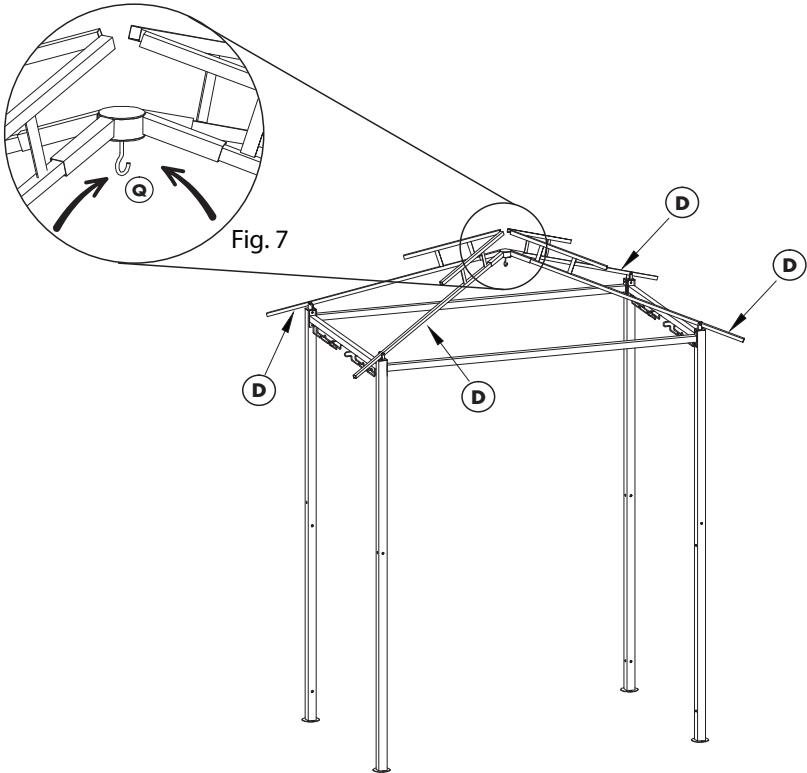
Step 4:

Secure Rib Braces (R) to the top of each Pole (A) using M6x15 Bolts (X), see Fig. 6.

Insert two M6x15 Bolts (X) through eyelets at one end of Crossbeam (B), and into bolt-threading found at the top of Pole (A), see Fig. 6. Follow this step to connect opposite end of B to a second A. Follow these steps to assemble remaining B with remaining A's.

Insert two M6x15 Bolts (X) through eyelets at one end of Rack (C), and into bolt-threading found at the top of Pole (A). Follow this step to connect opposite end of C to a second A. Follow these steps to assemble remaining C with remaining A's.

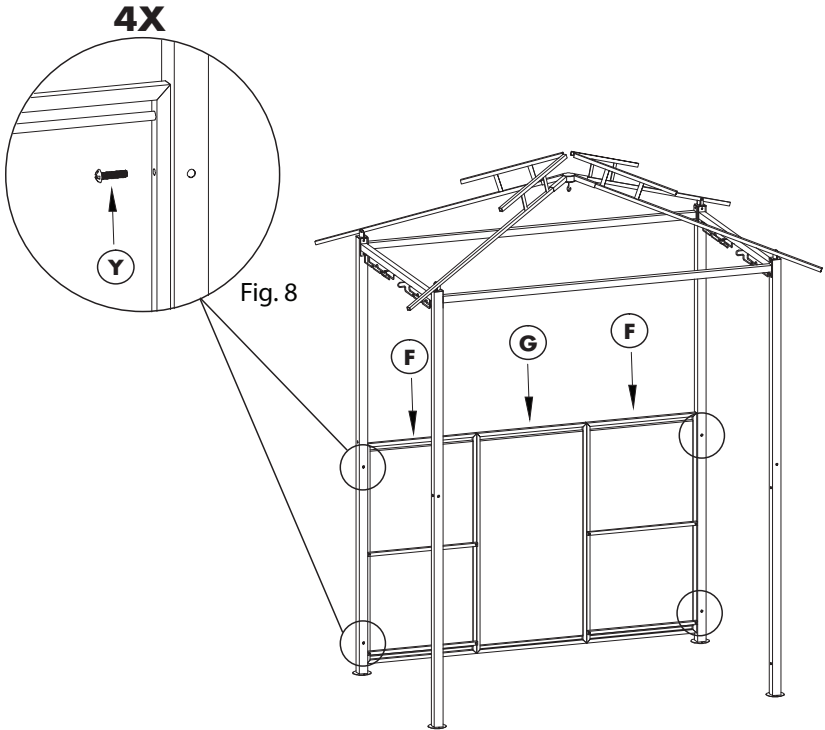
Do not tighten bolts down completely during this portion of assembly.



Step 5:

Insert Two Tier Ribs (D) into openings of Connector (Q) until they are locked in place, see Fig 7. Place assembled ribs with connector over the height of assembled frame. Place longer ribs of Two Tier Ribs (D) in between Rib Braces (R). Insert one M6x28 Bolt (Y) through each Rib Brace (R), through each Two Tier Rib (D), and use one Nut (AA) to hold parts together.

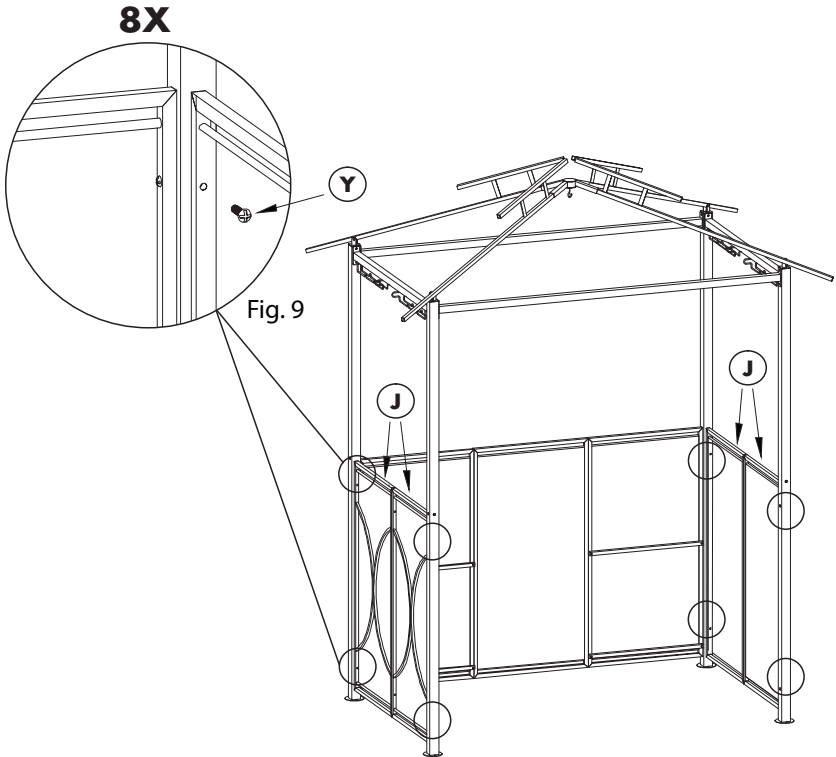
Do not tighten bolts down completely during this portion of assembly.



Step 6:

Insert two M6x28 Bolts (Y) through eyelets on opposite side of Panel (F), and into Pole (A), see Fig. 8. Follow this step to connect opposite end of second F to adjacent A.

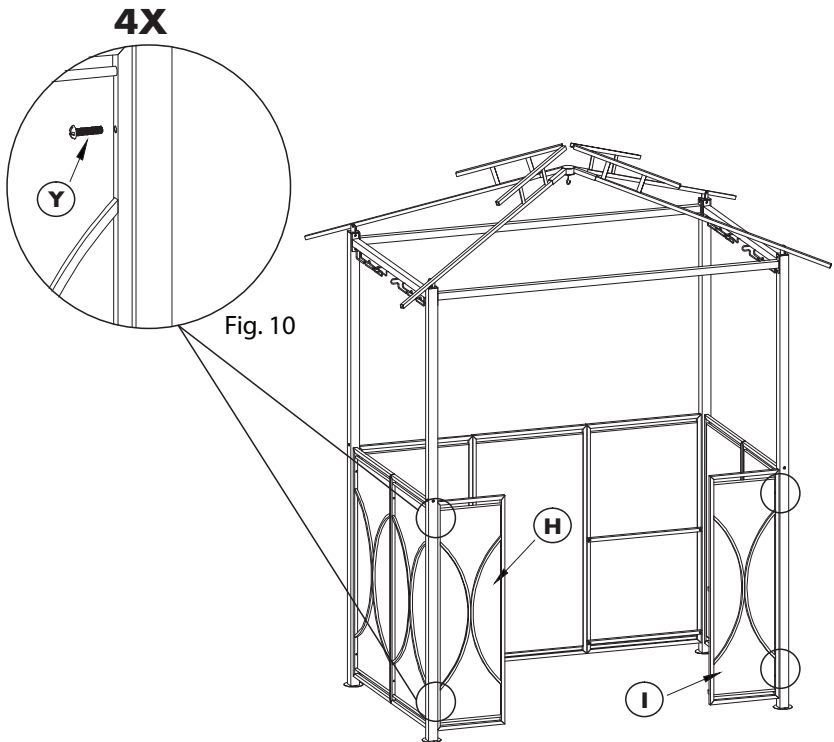
Do not tighten bolts down completely during this portion of assembly.



Step 7:

Insert two M6x28 Bolts (Y) through eyelets on the side of assembled Panels (J) and into Pole (A), see Fig. 9. Follow this step to connect opposite end of J's to adjacent A. Follow these steps to assemble second set of J's with A's on opposite side of frame.

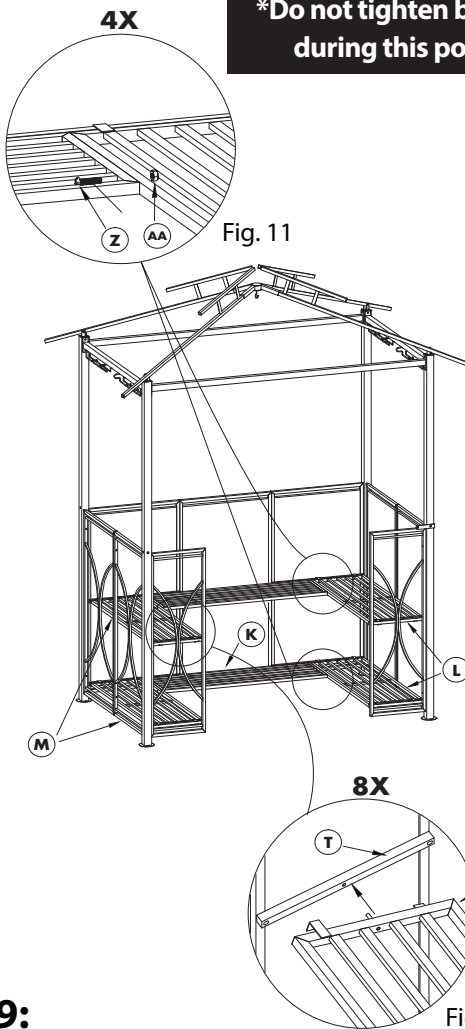
Do not tighten bolts down completely during this portion of assembly.



Step 8:

Insert two M6x28 Bolts (Y) through eyelets on the side of Panel (H) and into Pole (A), see Fig. 10. Follow this step to assemble Panel (I) with adjacent A.

Do not tighten bolts down completely during this portion of assembly.



Step 9:

Insert pins at either end of Shelves (L) into the eyelets found in the center of Panel Braces (U) [connected to Panel (F)], and into the eyelets found in the center of Panel Braces (T) [connected to Panel (I)], see Fig. 11. Follow this step to connect Shelves (M) to Panel Braces (T&U) on opposite side of frame. Place Shelves (K) midway and at the bottom of assembled Panels (F&G) using the interlocking latches found on these parts to connect them to Shelves (L&M). Insert M6x40 Bolts (Z) through eyelets at the end of Shelves (K), through eyelets on the sides of Shelves (L&M), and use Nuts (AA) to hold parts together, see Fig. 12.

Do not tighten bolts down completely during this portion of assembly.

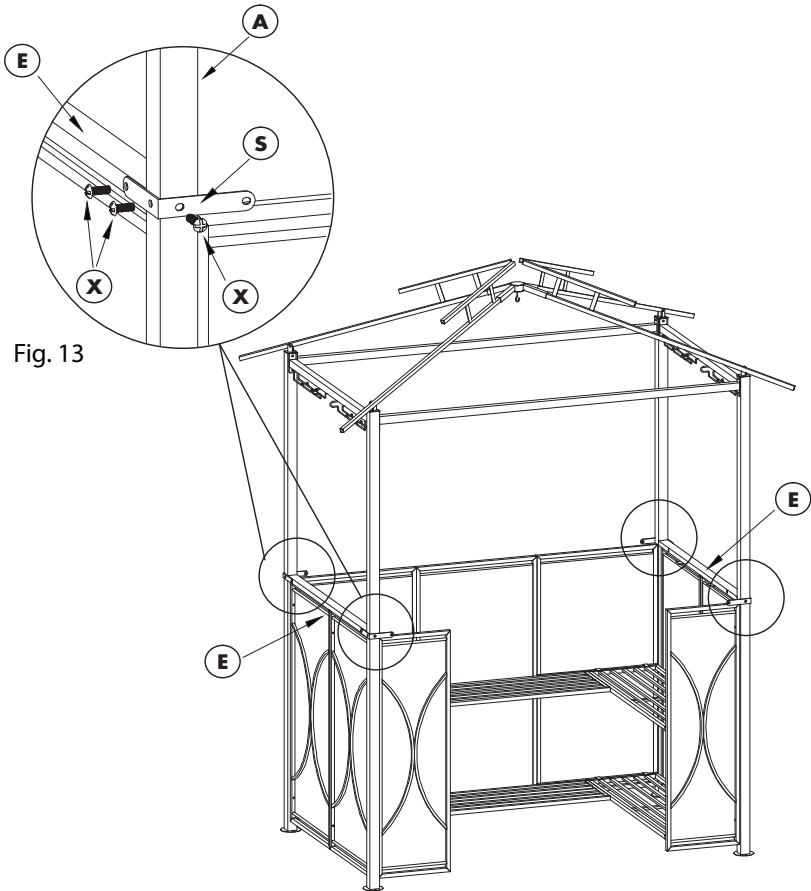
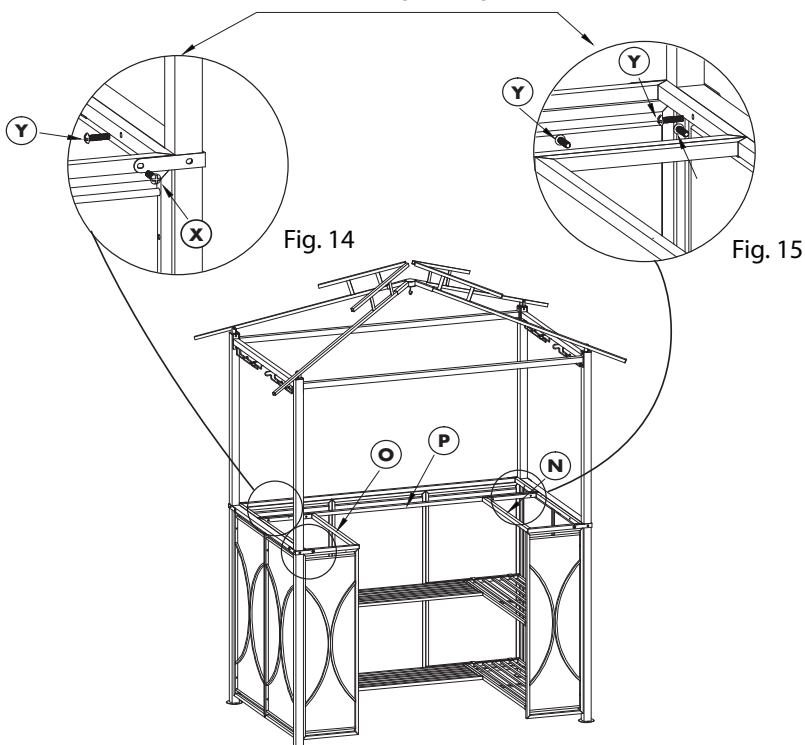


Fig. 13

Step 10:

Place Beam (E) over assembled Panels (J). Insert two M6x15 Bolts (X) through middle eyelets of Corner Brace (S), and into bolt-threading found on two sides of Pole (A), see Fig. 13. Insert additional M6x15 Bolt (X) through eyelet at the end of Corner Brace (S), and into the bolt-threading on the side of Beam (E), see Fig. 13. Follow these steps to assemble opposite end of Beam (E) to adjacent Pole (A). Follow these steps to assemble remaining E with two A's on opposite side of frame.

Do not put glass onto bar and counters until this step is completed



Step 11:

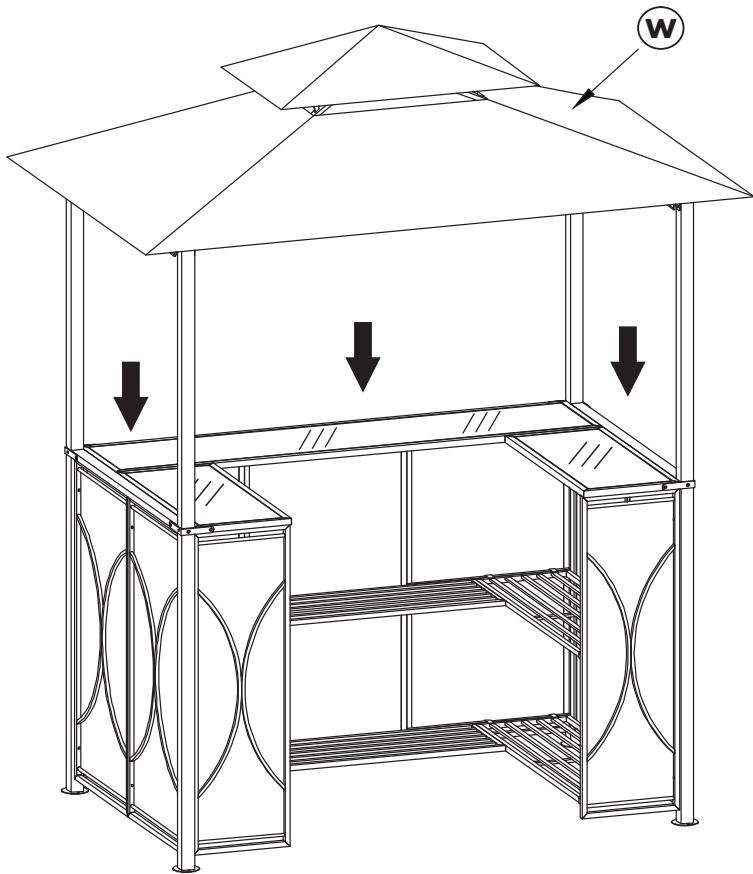
Remove glass from Counter (O), Counter (N), and from Bar (P), and carefully set those aside.

Place Counter (O) rim over assembled Panels (J) and Panel (H). Insert M6x15 Bolts (X) through remaining eyelet of Corner Brace (S), and into bolt-threading at the end of Counter (O), see Fig. 14.

Place Counter (N) rim over assembled Panels (J) and Panel (I). Insert M6x15 Bolt (X) through remaining eyelet of Corner Brace (S), and into bolt-threading at the end of Counter (N), see Fig. 14.

Place Bar (P) rim over assembled Panels (F&G) so that they are aligned with Counter (O) and Counter (N). Insert one M6x28 Bolt (Y) through eyelets at either end of Bar (P), and into the bolt-threading on the sides of Beams (E), see Fig. 15. Insert two M6x28 Bolts (Y) through eyelets on the side of Bar (P), and into the bolt-threading at the end of Counter (N), see Fig. 15. Insert two M6x28 Bolts (Y) through eyelets on the side of Bar (P), and into the bolt-threading at the end of Counter (O).

Tighten all bolts that have been left loose throughout the assembly process.



Step 12:

Carefully put glass back in place for Bar (P) and Counters (N&O). Place the larger Canopy (W) over lower ribs of Two Tier Ribs (D). Unfold the larger Canopy (W) completely so that pockets underneath canopy fit into rib ends.

Run two Stakes (V) through designated eyelets at bottom of Poles (A), and into the ground for extra stability.

Please contact our service hotline by phone, email, or fax when needing assistance with assembly or with faulty parts. This allows us to provide support in the event of possible operator errors.

All furniture manufactured and sold by TDC USA, Inc. is warranted to the original purchaser against defects in workmanship and materials. If a product manufactured by TDC fails during the first year from date of purchase under the terms of our limited warranty, TDC will replace the item at no charge. After one year, it will be the original purchaser's responsibility to pay for freight and packing. TDC reserves the right, in the case of discontinued or out of production models, to replace with an item of similar quality. (Glass breakage is not warranted.)

NOTE: You must retain original receipt to obtain warranty!

FRAMES:

Frames are warranted against defects in materials and workmanship from the date of original purchase. Damage to frames or welds due to commercial use, improper assembly, exposure to water and sub-freezing temperatures, and/or abuse are not covered.

FABRIC:

Fabric on cushions, slings, and umbrellas is warranted against separation at the seams. Fading, mildew, and/or discoloration due to exposure to elements, chemicals, and spills are not covered.

POWDER COAT AND/OR PAINT:

The finish is warranted against blistering, peeling, or cracking. Fading resulting from exposure to the elements, chemicals, and spills are not covered. Scratches and chips due to normal wear and use are not covered.

FREIGHT & PACKING:

TDC will be responsible for shipping, handling, and packaging charges for all valid warranty claims.

CARE & MAINTENANCE:

Be careful to never allow water build up in frames as this will cause corrosion and freeze damage in cold climates. Wash all frames with a solution of mild soap and water. Rinse with clean water and dry with a soft absorbent cloth towel. Frames can be treated with a liquid wax for maximum protection against UV rays and/or salty damp air. If your set includes cushions, slings, and/or an umbrella, they may be cleaned by hand with a solution of soap and water with a clean water rinse.

LIMITED WARRANTY EXCLUSIONS:

- Damage caused by acts of nature
- Wind damage
- Failure caused by unreasonable, unanticipated, or abusive use
- Failure caused by a lack of reasonable and necessary care and maintenance
- Normal fade of fabrics, upholstery, or woven materials
- Glass table tops
- Bursting or cracking of tubing due to exposure to water and freezing temperatures
- Changes in wood color due to the natural aging of the wood

***A sales receipt must be provided to validate
1-Year Limited Warranty.***

Customer Service:

Monday - Friday • 9:00 am - 5:00 pm

Phone: 800-599-8898

Email: support@tdcusainc.com

**TDC USA, Inc.
5 Industrial Rd, STE 1
Fairfield, NJ 07004-3017**

Outdoor Sling Bar with Canopy

Steel Frame with Powder Coating

Dist. by TDC USA, Inc. Fairfield, NJ 07004
©2022 All Rights Reserved. Made in China.

Item #21881

Questions and Comments
1-800-599-8898 (9 am - 5 pm EST)
www.tdcusainc.com