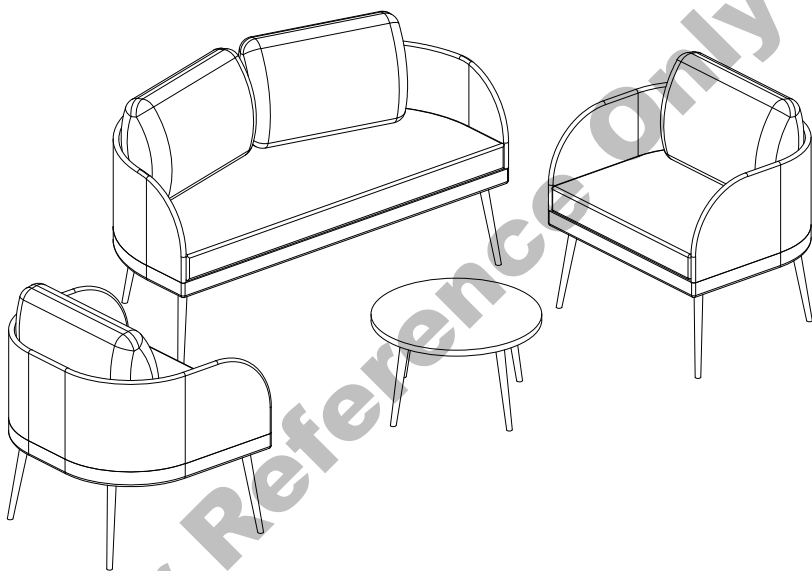


ROPE WICKER CONVERSATION SET



Assembly Instructions

MADE IN VIETNAM

The owner's manual contains important safety information as well as assembly, use and maintenance instructions. Keep the packaging and bags away from children and dispose of all packaging properly before use. Keep this manual for future reference.



**PLEASE DO NOT
RETURN THIS
PRODUCT
TO THE STORE**

We will be happy to correct any problems that you may have, or answer any of your questions regarding the purchase of this product. Please contact us at our Toll Free customer service number 1-800-599-8898 for any assistance and replacement parts. Thank You.

Dist. by TDC USA, Inc. Fairfield, NJ 07004
©2023 All Rights Reserved.
Made in Vietnam
Item #23697
www.tdcusainc.com

⚠ WARNING!

Prior to assembly, please read these instructions carefully. We suggest you carry out assembly on a soft surface to avoid scratching the surfaces of parts. Please note, with these parts being made of cast iron, there may be rough areas on their surfaces. Any rough areas found on parts are not considered defects.

Do not discard any packaging until you have checked that you have all parts and hardware pack.

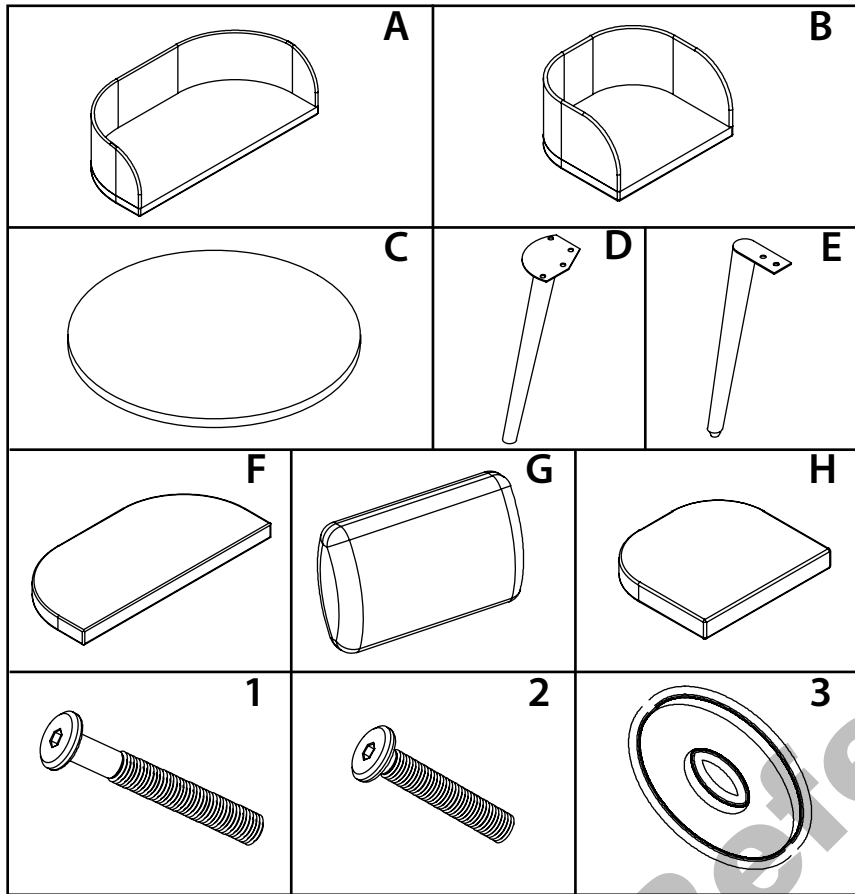
Keep children away during assembly. This product contains small parts which can be swallowed by children.

Retain the assembly instructions for future reference.

Keep all children and pets away from assembly area. Children and pets should be supervised when they are in the area of the product construction.

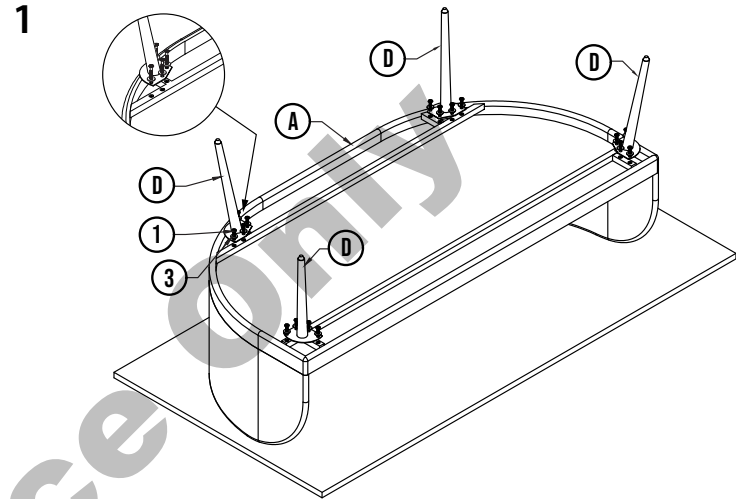
CHOKING HAZARD - Small parts. Not suitable for children under 36 months. The product contains small parts, keep children away when assembling.

ADULT ASSEMBLY REQUIRED - Always remove protective material and poly bags and dispose before assembly

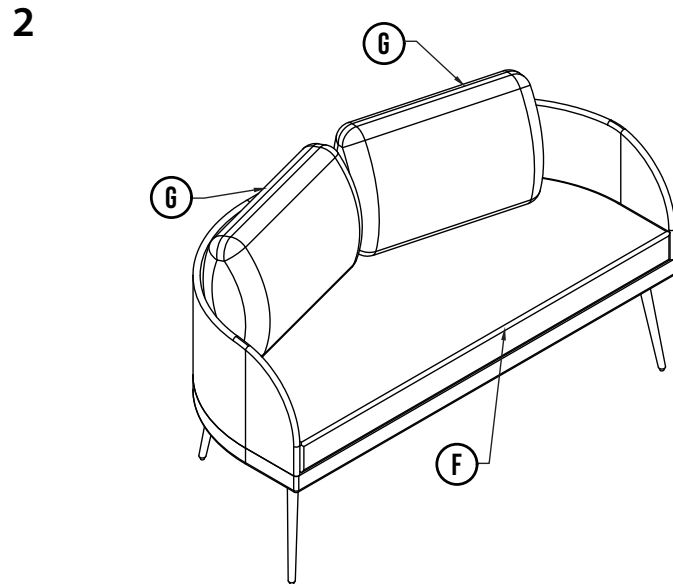


PART	PART NAME	#
A	Loveseat	1
B	Chair	2
C	Table	1
D	Leg	12
E	Table Leg	4
F	Loveseat Cushion	1
G	Back Cushion	4

PART	PART NAME	#
H	Chair Cushion	2
1	M6x20 Bolt	48
2	M6x10 Bolt	8
3	M6 Washer	56

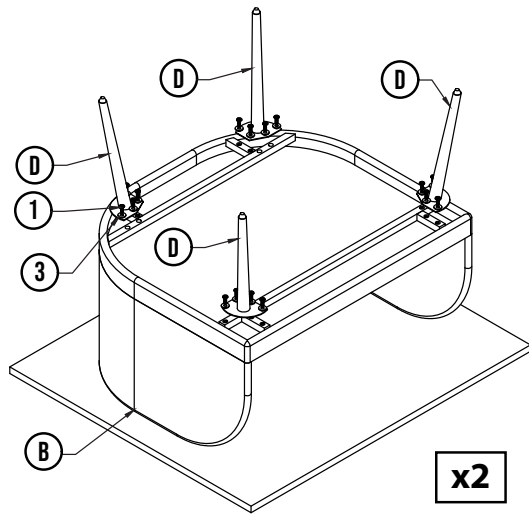


Set the Loveseat [A] upside down on a soft non-abrasive surface as illustrated here. Insert four M6x20 Bolts [1] with M6 Washers [3] through eyelets found on the base of each Leg [D], and into the bolt-threading found at each corner, underneath the loveseat. Tighten all bolts using the provided hex key.



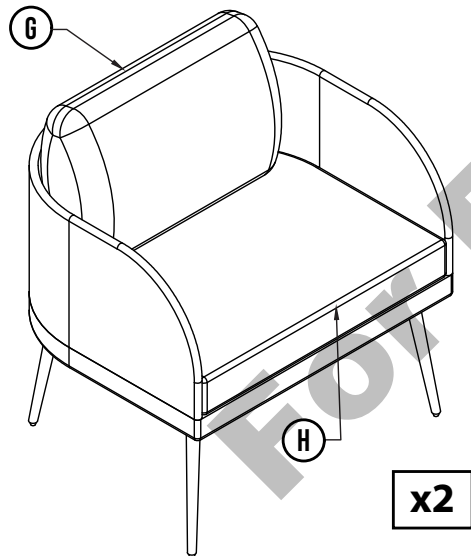
When finished, turn the loveseat upright, and place Loveseat Cushion [F] and two Back Cushions [G] on the loveseat and backrest. Your loveseat is now ready to be used.

3



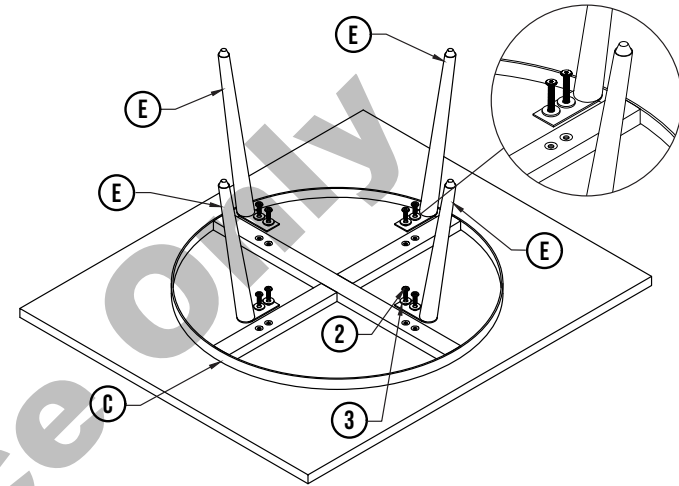
Set the Chair (B) upside down on a soft non-abrasive surface as illustrated here. Insert four M6x20 Bolts (1) with M6 Washers (3) through eyelets found on the base of each Leg (D), and into the bolt-threading found at each corner, underneath the chair. Tighten all bolts using the provided hex key.

4



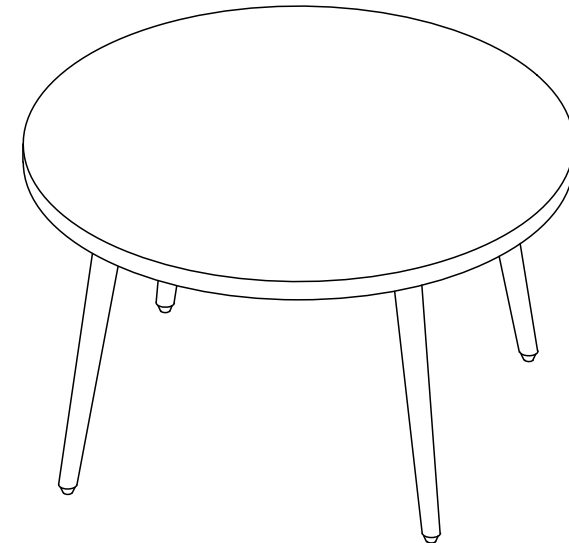
When finished, turn the chair upright, and place Chair Cushion (H) and one Back Cushion (G) on the chair seat and back. Your chair is now ready to be used.

5



Set the Table (C) upside down on a soft non-abrasive surface as illustrated here. Insert two M6x10 Bolts (2) with M6 Washers (3) through eyelets found on the bracket of each Table Leg (E), and into the bolt-threading found on the horizontal support bar, underneath the table. Tighten all bolts using the provided hex key.

6



When finished, turn the table upright, and it is now ready to be used.

LIMITED WARRANTY

Please contact our service hotline by phone, email, or fax when needing assistance with assembly or with faulty parts. This allows us to provide support in the event of possible operator errors.

All furniture manufactured and sold by TDC USA, Inc. is warranted to the original purchaser against defects in workmanship and materials. If a product manufactured by TDC fails during the first year from date of purchase under the terms of our limited warranty, TDC will replace the item at no charge. After one year, it will be the original purchaser's responsibility to pay for freight and packing. TDC reserves the right, in the case of discontinued or out of production models, to replace with an item of similar quality. (Glass breakage is not warranted.)

NOTE: You must retain original receipt to obtain warranty!

FRAMES:

Frames are warranted against defects in materials and workmanship from the date of original purchase. Damage to frames or welds due to commercial use, improper assembly, exposure to water and sub-freezing temperatures, and/or abuse are not covered.

FABRIC:

Fabric on cushions, slings, and umbrellas is warranted against separation at the seams. Fading, mildew, and/or discoloration due to exposure to elements, chemicals, and spills are not covered.

POWDER COAT AND/OR PAINT:

The finish is warranted against blistering, peeling, or cracking. Fading resulting from exposure to the elements, chemicals, and spills are not covered. Scratches and chips due to normal wear and use are not covered.

FREIGHT & PACKING:

TDC will be responsible for shipping, handling, and packaging charges for all valid warranty claims.

CARE & MAINTENANCE:

Be careful to never allow water build up in frames as this will cause corrosion and freeze damage in cold climates. Wash all frames with a solution of mild soap and water. Rinse with clean water and dry with a soft absorbent cloth towel. Frames can be treated with a liquid wax for maximum protection against UV rays and/or salty damp air. If your set includes cushions, slings, and/or an umbrella, they may be cleaned by hand with a solution of soap and water with a clean water rinse.

LIMITED WARRANTY EXCLUSIONS:

- Damage caused by acts of nature
- Wind damage
- Failure caused by unreasonable, unanticipated, or abusive use
- Failure caused by a lack of reasonable and necessary care and maintenance
- Normal fade of fabrics, upholstery, or woven materials
- Glass table tops
- Bursting or cracking of tubing due to exposure to water and freezing temperatures
- Changes in wood color due to the natural aging of the wood

***A sales receipt must be provided to validate
1-Year Limited Warranty.***

Customer Service:

Monday - Friday • 9:00 am - 5:00 pm

Phone: 800-599-8898

Email: support@tdcusainc.com

**TDC USA, Inc.
5 Industrial Rd, STE 1
Fairfield, NJ 07004-3017**

ROPE WICKER CONVERSATION SET

Dist. by TDC USA, Inc. Fairfield, NJ 07004
©2023 All Rights Reserved. Made in Vietnam.
Item #23697

Questions and Comments
1-800-599-8898 (9 am - 5 pm EST)
www.tdcusainc.com