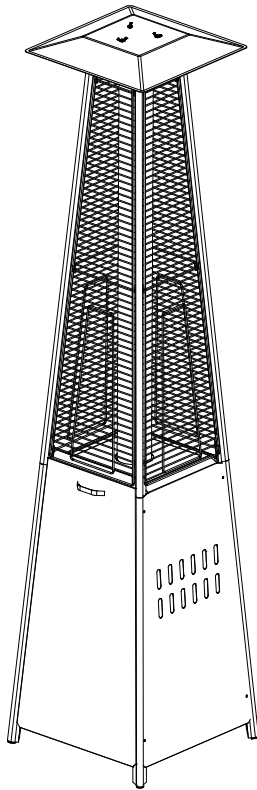


Pyramid Propane Heater



Assembly Instructions

Made in China

The owner's manual contains important safety information as well as assembly, use and maintenance instructions. Keep the packaging and bags away from children and dispose of all packaging properly before use. Keep this manual for future reference.



**PLEASE DO NOT
RETURN THIS
PRODUCT
TO THE STORE**

We will be happy to correct any problems that you may have, or answer any of your questions regarding the purchase of this product. Please contact us at our Toll Free customer service number 1-800-599-8898 for any assistance and replacement parts. Thank You.

Dist. by TDC USA, Inc. Fairfield, NJ 07004
©2020 All Rights Reserved.
Made in China
Item #34022
www.tdcusainc.com

 **WARNING!**

FIRE OR EXPLOSION MAY RESULT IF INSTRUCTIONS ARE IGNORED
It is the consumer's responsibility to see that the patio heater is properly assembled, installed and taken care of. Failure to follow instructions in the manual could result in bodily injury and/or property damage.

PRECAUTIONS

- Leak test all connections after each tank refill.
- Never check for leaks with a match or open flame.
- Do not store or use gasoline or other flammable substances in the vicinity of this or any other appliance.
- Any LP cylinder not connected for use should not be stored in the vicinity of this or any other appliance.

****FOR YOUR SAFETY IF YOU SMELL GAS****

- Turn off the gas supply at cylinder.
- Extinguish all flames.
- Do not operate any electrical appliances.
- Ventilate the area.
- Check for leaks as detailed in the manual.
- If odor persists, contact your dealer or gas supplier immediately.

**FOR OUTDOOR USE ONLY/USES LP ONLY
PLEASE READ INSTRUCTIONS CAREFULLY BEFORE ASSEMBLY
RETAIN THIS MANUAL FOR REFERENCE.**

- **CHOKING HAZARD** - Small parts. Not suitable for children under 36 months. The product contains small parts, keep children away when assembling.
- **ADULT ASSEMBLY REQUIRED.** Always remove protective material and poly bags and dispose before assembly.

⚠ DANGER!

CARBON MONOXIDE HAZARD

- This appliance can produce carbon monoxide which has no odor.
- Using it in an enclosed space can kill you.
- Never use this appliance in an enclosed space such as a camper, tent, car or home.
- Keep electrical supply cord away from the heated surfaces.



WARNING

Improper installation, adjustment, alteration, service or maintenance can cause injury or property damage. Read the installation, operating and maintenance instructions thoroughly before installing or servicing this equipment.

- For outdoor use only.
- LP cylinders must be constructed and marked in accordance with US DOT specifications.
- Storage of the heater indoors is permissible only if the gas cylinder is turned off and removed.

NOTE:

- Use only 20 lb. LP-Gas tank with size of 18.1 inch/46 cm (height) x 12.5 inch/32 cm (width).
- Do not use if the environment temperature is below 40 degrees F/ 4.4 degrees C.
- The LP gas cylinder must be provided with a listed overfilling prevention device.
- Do not store a spare LP cylinder under or near this appliance.
- Never fill the cylinder beyond 80 percent full.
- The gas pressure regulator provided with this appliance must be used. This regulator is set for an outlet pressure of 11 inches water column.

⚠ WARNING!

This product can expose you to chemicals including carbon monoxide which is known to the State of California to cause birth defects or other reproductive harm. For more information go to www.P65Warnings.ca.gov

⚠ WARNING!

This heater must be used outdoors only.
Using this product in an enclosed area may cause injury, death or property damage.
Read instructions before use.
This heater must be used in accordance with your local area's regulations and bylaws.

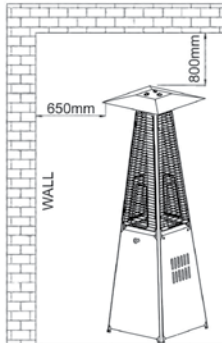
- Installation and service should be done by a qualified person.
- Do not use the heater in an explosive atmosphere (i.e. areas where gasoline or other flammable liquids or vapors are stored).
- Before use, check the regulator.
- Disconnect LP cylinder before moving the heater.
- Do not attempt to alter any part of heater.
- Example: Using the heater without reflector or protection guard.
- The heater should not be used in basements or below ground level.
- The heater must always be placed on a solid and level surface.
- Never replace or substitute the regulator with a regulator that does not meet the specifications on page 4.
- Do not clean the heater with cleaners that are combustible or corrosive.
- Do not paint any part of the heater.
- The LP cylinder valve should be turned off and disconnected when the heater is not in use.
- Do not use heater when it is raining, and do not let any liquid splash on the glass tube when the heater is working.
- Keep children away from the heater. Always be careful not to knock over the heater, as this could cause breakage of the glass tube and cause injury.
- Do not move the heater when in operation.
- After a long break of operation, the gas parts in the control box of the heater and the hose should be inspected for spiders, spider webs or other insects.
- Check the heater immediately if any of the following exists:
 1. There is smell of gas.
 2. The heater is not burning properly.
 3. The burner makes popping noise during use (a slight popping noise is normal when the burner is extinguished after use).
- If you smell gas, turn off the valve immediately. If the smell persists, contact your dealer of gas supplier immediately.
- The hose with regulator assembly should be stored in a safe place to avoid accidental damage.
- Children and adults should be aware of the high surface temperature hazard of the heater, and should keep a safe distance away to avoid clothes burning or igniting.
- Young children should be carefully supervised when they are in the working area of the heater.
- Clothing or other flammable material should not be hung from the heater, or placed on or near heater.

⚠ WARNING!

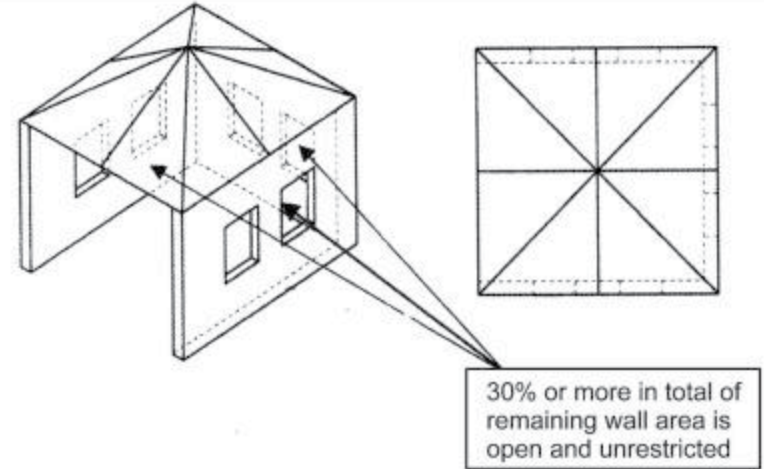
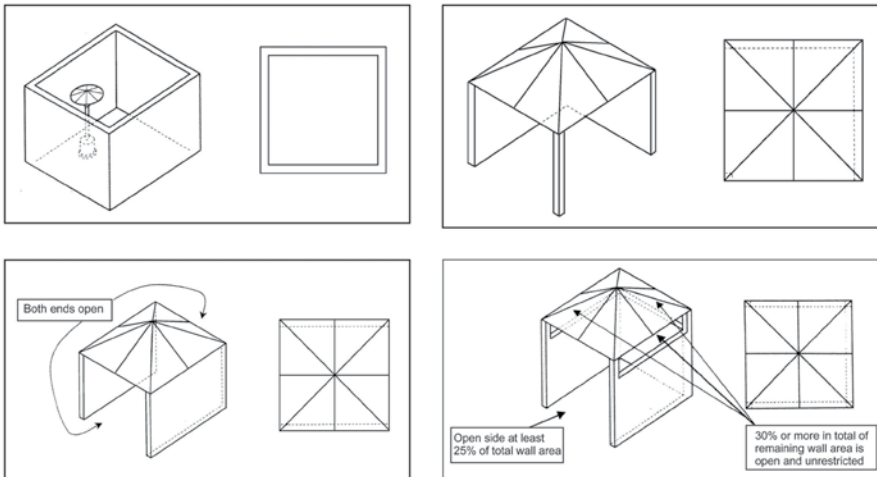
- Do not obstruct the ventilation holes of the cylinder housing.
- Shut off the valve of gas cylinder or the regulator before moving the appliance.
- The tubing or the flexible hose must be changed within the prescribed intervals.
- Use only the type of gas and the type of cylinder specified by the manufacturer.
- In case of violent wind, particular attention must be taken against tilting of the heater.
- Storage of the heater indoors is permitted only if the cylinder is disconnected and removed from the appliance.
- Do not store a spare LP cylinder under or near this heater.
- Never fill the cylinder beyond 80 percent full.

🚫 HEATER PLACEMENT AND LOCATION

- The heater is for outdoor use only.
- Do not use it indoors or in enclosed areas.
- Always ensure that adequate fresh air ventilation is provide.
- Always maintain proper clearance from combustible materials (Top - 32 inches, Side: 26 inches)
- Heater must be placed on level firm ground.
- Never operate heater in an explosive atmosphere like in areas when gasoline or other flammable liquids or vapors are stored.



DIAGRAMMATIC REPRESENTATIONS OF OUTDOOR AREAS



🚫 LEAK TESTING

⚠ WARNING!
DO NOT SMOKE WHILE LEAK TESTING.

Gas connections on the heater are leak tested at the factory prior to shipment. Possible mishandling of the heater during the shipment might contribute to product integrity as a whole. A complete gas leakage test must be performed again at the installation site.

Please follow the procedure below for leakage test.

1. Make a soapy solution of one part liquid detergent and one part water. The soapy solution can be applied with a spray bottle, brush or rag. Soap bubbles will appear where the leak is present.
2. Make sure the control tap is in the "OFF" position (full disk = •) on the control panel.
3. Turn on the gas supply and check for bubbles on the hoses and connections. If the solution starts to bubble that means that a leak is present.
4. If a leak is present, turn OFF the gas supply immediately, tighten any leaking fittings carefully and recheck to see if it still continues to leak.
5. Never leak test while smoking.

**Important Safety Rules:
This heater is for OUTDOOR USE ONLY**

1. This heater shall not be installed or used indoors, in buildings, garages or any other enclosed area.
2. DO NOT place articles on or against this heater.
3. DO NOT use or store flammable materials near this heater.
4. Children and adults should be aware of the high surface temperature hazard and should keep a safe distance away to avoid clothes burning or igniting.
5. Children should be carefully supervised when they are in the area of the heater.
6. NEVER hang anything including clothes or other flammable items on the heater.
7. DO NOT operate this heater unless it is fully assembled with the reflector in place.
8. DO NOT SPRAY AEROSOLS IN THE VICINITY OF THIS HEATER WHILE IS IN OPERATION.
9. Installation and repair should be done by a qualified person. The heater must be inspected before use and at least annually by a qualified person. More frequent cleaning may be required as necessary. It is imperative that control compartments, burners and circulating air passages of the heater and light be kept clean and free from insect/spider infestation.







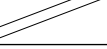


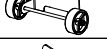



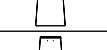

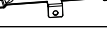


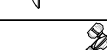

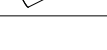
TOOLS NEEDED

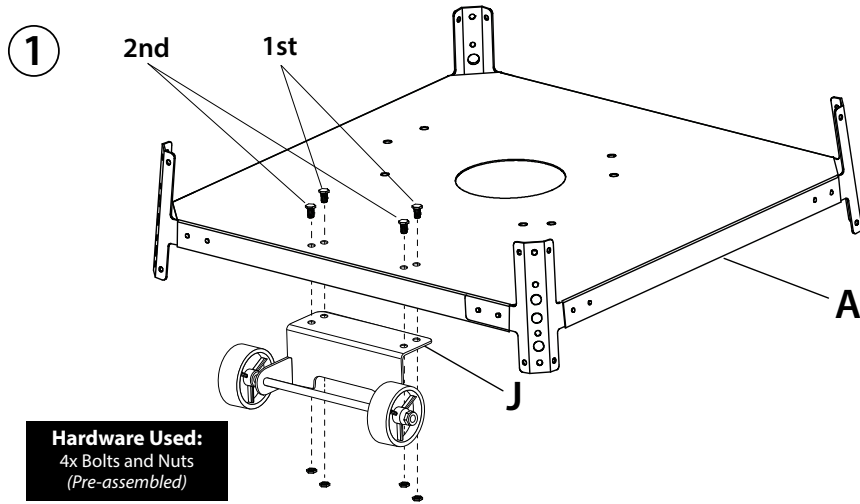
TOOLS NEED:

- Open end wrench (10 & 13 mm), included.

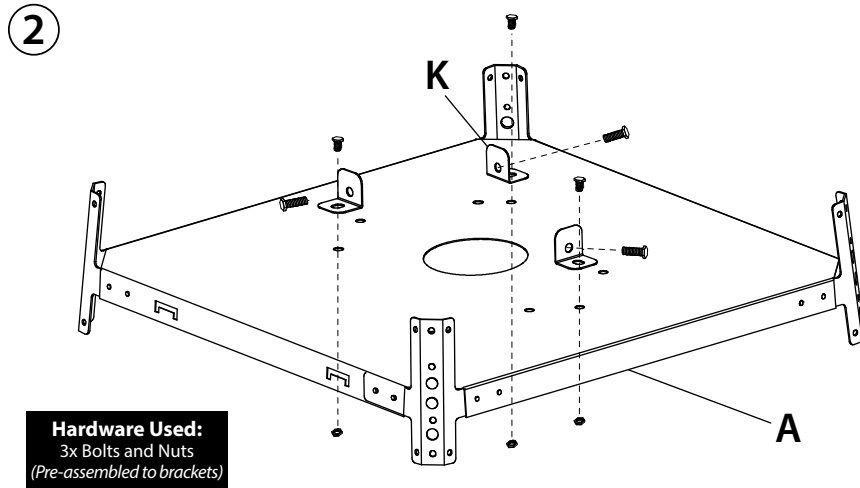
NOT INCLUDED:

- Adjustable opening wrench 8 inches long.
- Screwdriver.
- Spray bottle of soapy solution for leak testing.

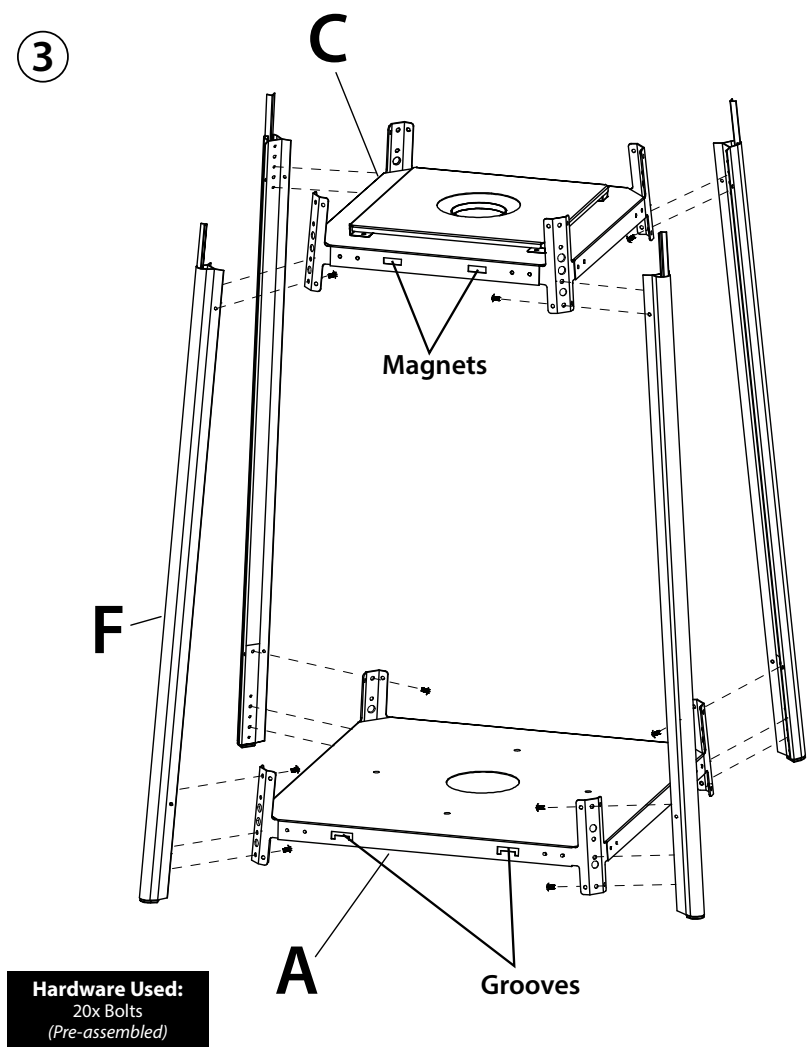
Part Number	Part Name	Picture	Quantity	Remarks
A	Bottom Plate		1	
B	Control Box		1	
C	Middle Plate		1	Plate Cover is pre-assembled to Middle Plate
D	Damper		1	pre-assembled in the Upper Plate
E	Upper Support		4	
F	Lower Support		4	
G	Glass Tube		1	
H	Reflector		1	
I	Protection Guard		4	
J	Wheels		1	
K	Propane Cylinder Bracket		3	
L	Fixing Bracket		4	
M	Side Panel		2	
N	Back Panel		1	
O	Front Panel		1	
P	Handle		1	
Q	Chain		1	
R	Rubber Ring		1	
S	Bolt		66	All pre-assembled in relative parts
T	Gas Hose & Regulator		1	
N/A	AA Battery		1	Not included



Remove Bolts and Nuts from Wheels (J). Insert two Bolts through the eyelets furthest from the edge of Bottom Plate (A) first, through the eyelets at the edge of the Wheels (J) base, and use two Nuts to hold parts together. Note: Do not tighten Nuts down until all four Bolts have been inserted. Insert the remaining Bolts through the eyelets closest to the edge of the Bottom Plate (A), through the second set of eyelets of the Wheels (J) base, and use two Nuts to hold parts together. Tighten Nuts down when finished.



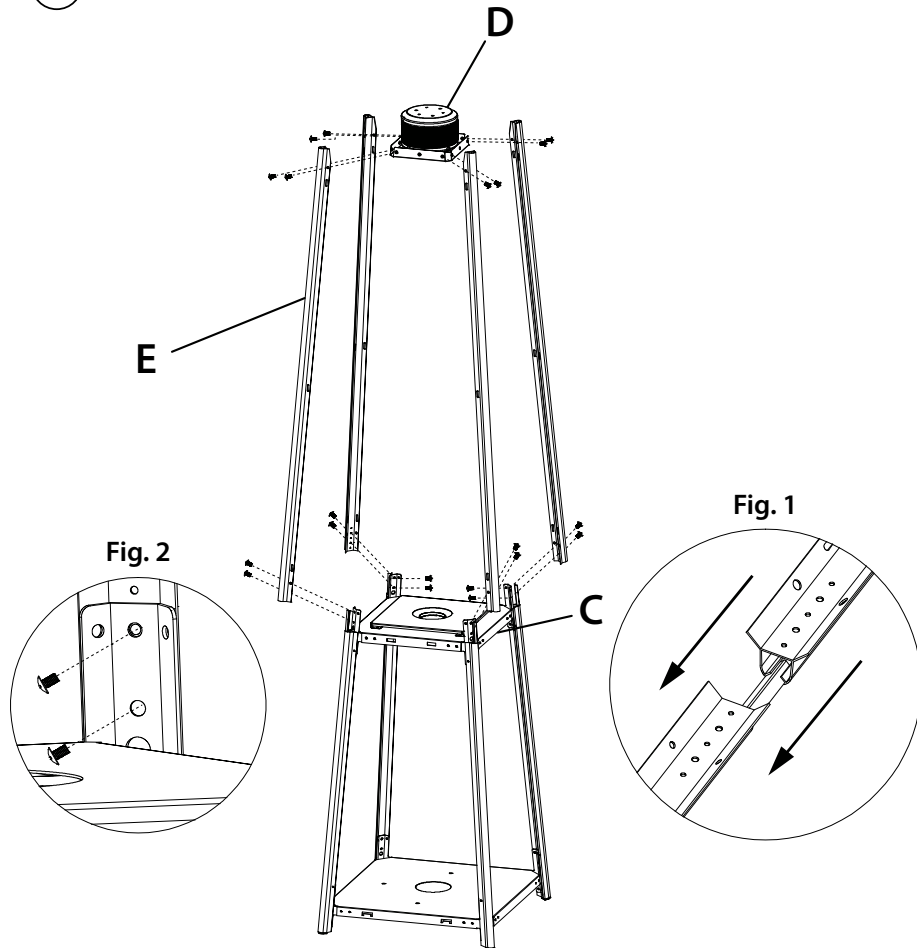
Remove both Bolt types and three Nuts from the three Propane Cylinder Brackets (K). With your propane tanks dimensions in mind, place the Propane Cylinder Brackets (K) around the eyelets in the center of the Bottom Plate (A). Insert the three shorter Bolts through the flat end of the brackets, through the Bottom Plate (A), and tighten the brackets in place using the provided Nuts. Set the three longer M8x45 Bolts aside until assembly is complete and your propane tank is in place inside of the Pyramid Heater.



Remove all the silver Bolts found on both ends of the four Lower Supports (F). Place one Lower Support (F) against the corner of Bottom Plate (A). Insert two silver Bolts through the corner bracket [underneath] Bottom Plate (A), and into the two female-bolt inserts found at the bottom end of Lower Support (F). Insert one silver Bolt through the corner bracket [above] Bottom Plate (A), and into the top female-bolt insert found at the bottom end of Lower Support (F). Follow these steps to connect the remaining three Lower Supports (F) to the corner brackets of Bottom Plate (A).

Place Middle Plate (C) in between the top ends of Lower Supports (F) so that the magnets are facing in the same direction as the grooves of the Bottom Plate (A), see illustration above. Insert two silver Bolts through the corner brackets [underneath] Middle Plate (C), and into the two female-bolt inserts of Lower Supports (F).

4

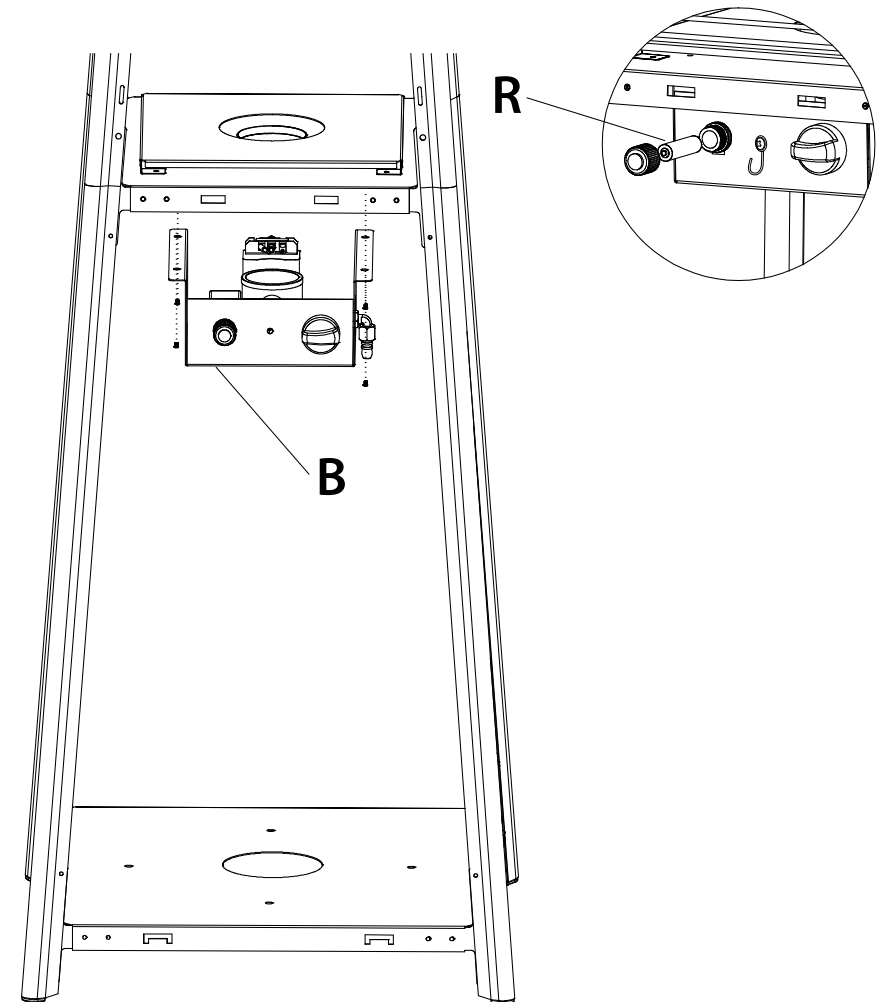


Hardware Used:
24x Bolts
(Pre-assembled)

Remove all the silver Bolts found on both ends of the four Upper Supports (E). Insert Upper Supports (E) into the top-ends of Lower Supports (F), see Fig. 1. Insert two silver Bolts through the corner bracket [above] Middle Plate (C), and into the female-bolt inserts found at the bottom end of Upper Support (E), see Fig. 2. Insert two silver Bolts through the front of Upper Support (E) and into the female-bolts inserts on the corner bracket of Middle Plate (C). Follow these steps to connect the remaining three Upper Supports (E) to the corner brackets of Middle Plate (C).

Place Damper (D) in between the top ends of Upper Supports (E). Insert two silver Bolts through the sides of the top end of Upper Supports (E) and into the corners of Damper (D).

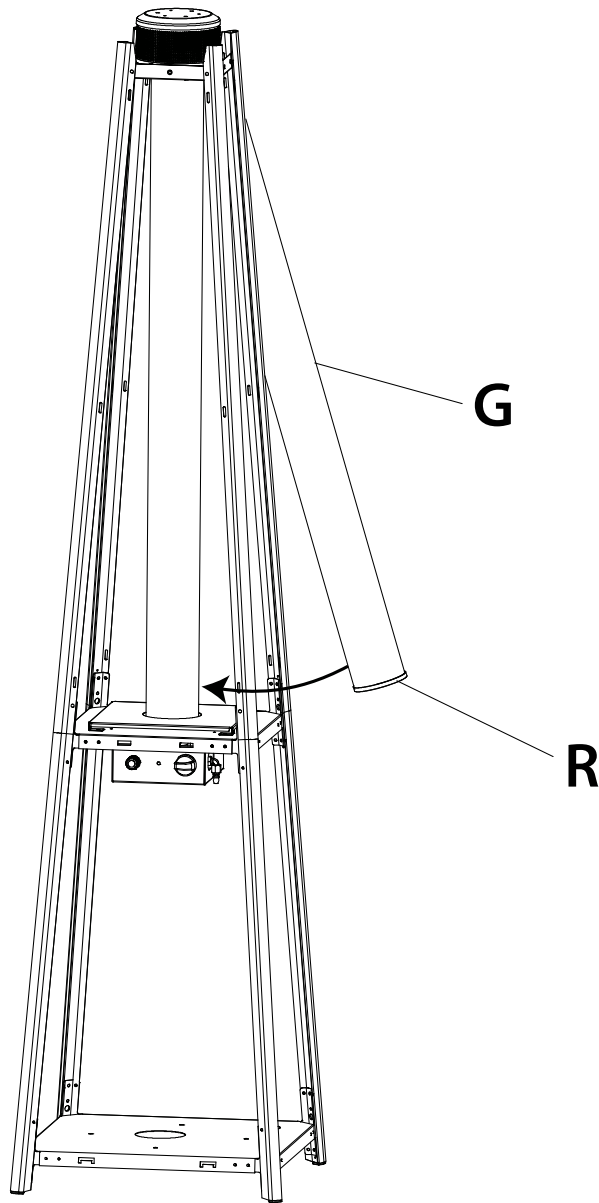
5



Hardware Used:
1x AA Battery
4x Bolts
(Pre-assembled)

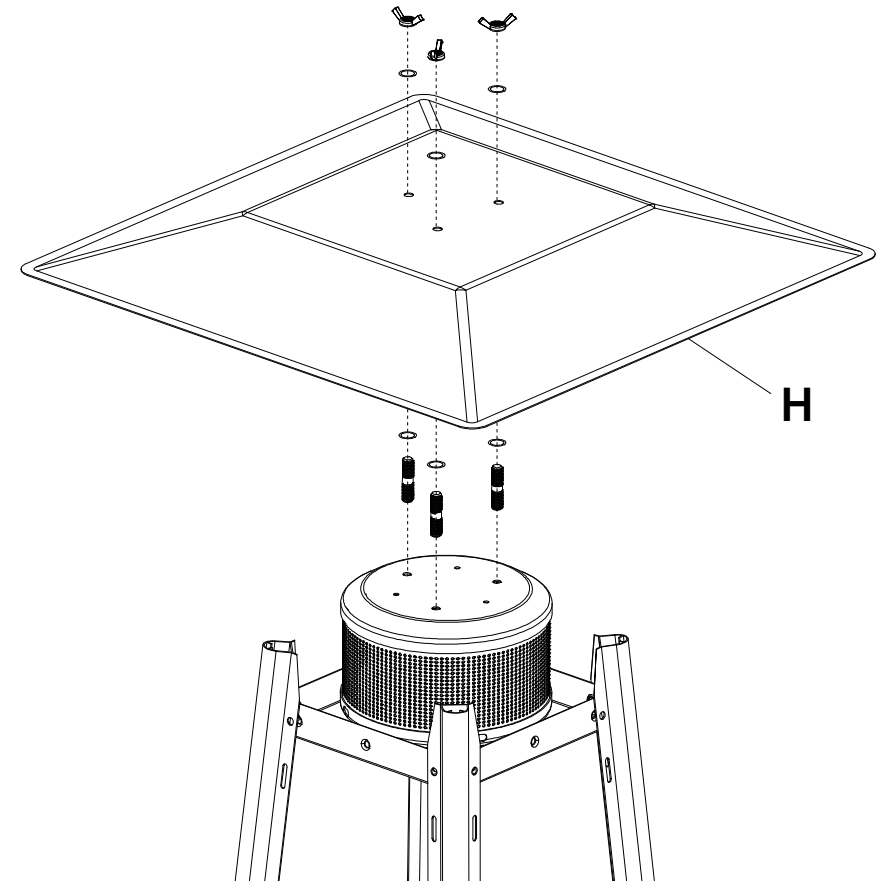
Unscrew the red igniter button from the Control Box (B) and insert a AA battery (not included) with the POSITIVE end facing out where it will be against the igniter button. Screw red igniter button back onto Control Box (B). Remove the two silver Bolts from either side of Control Box (B). Place Control Box (B) underneath Middle Plate (C) and insert the four silver Bolts through the sides of Control Box (B) and into female-bolt inserts underneath Middle Plate (C).

6



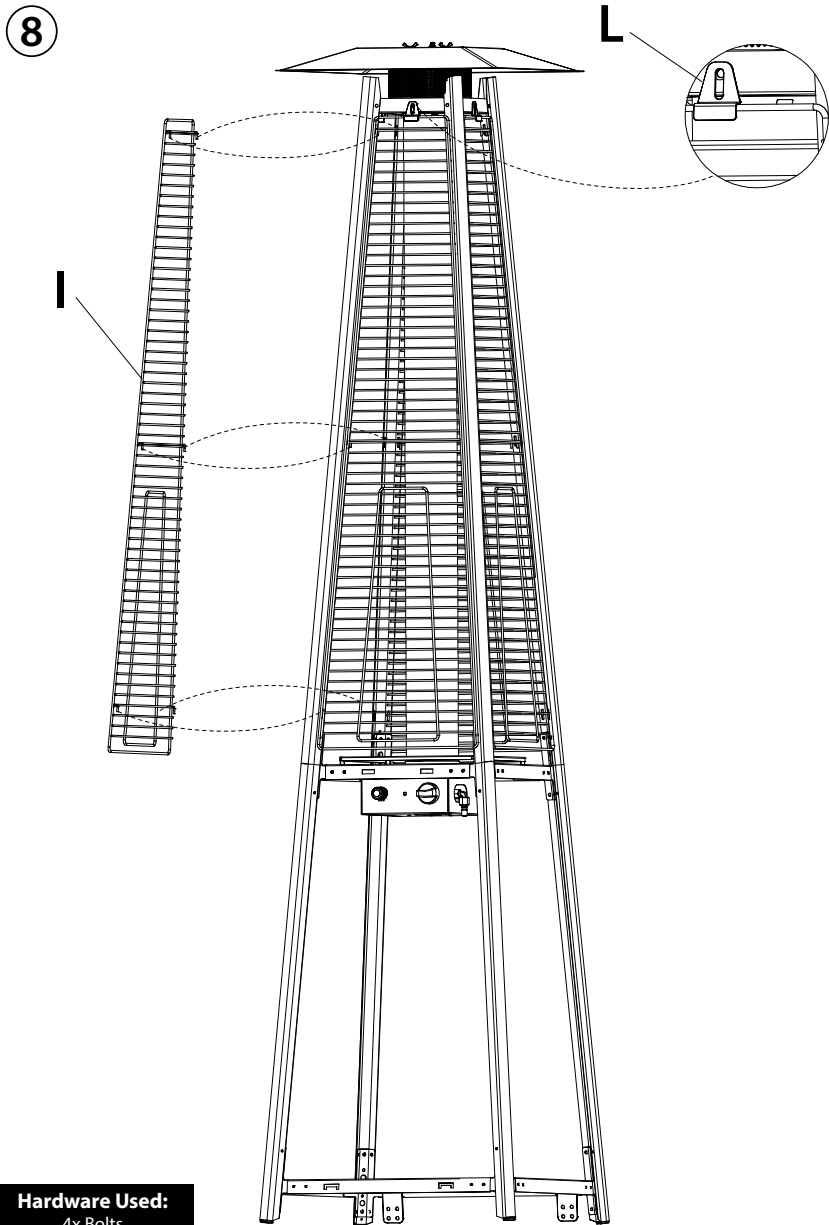
Carefully place the top-end of the Glass Tube (G) into the bottom of the plate of Damper (D), the Rubber Ring (R) should be at the bottom-end of the Glass Tube (G). Insert the bottom-end of Glass Tube (G) into the hole of the Middle Plate (C). Ensure that the Glass Tube (G) covers the center of the hole of the Middle Plate (C).

7



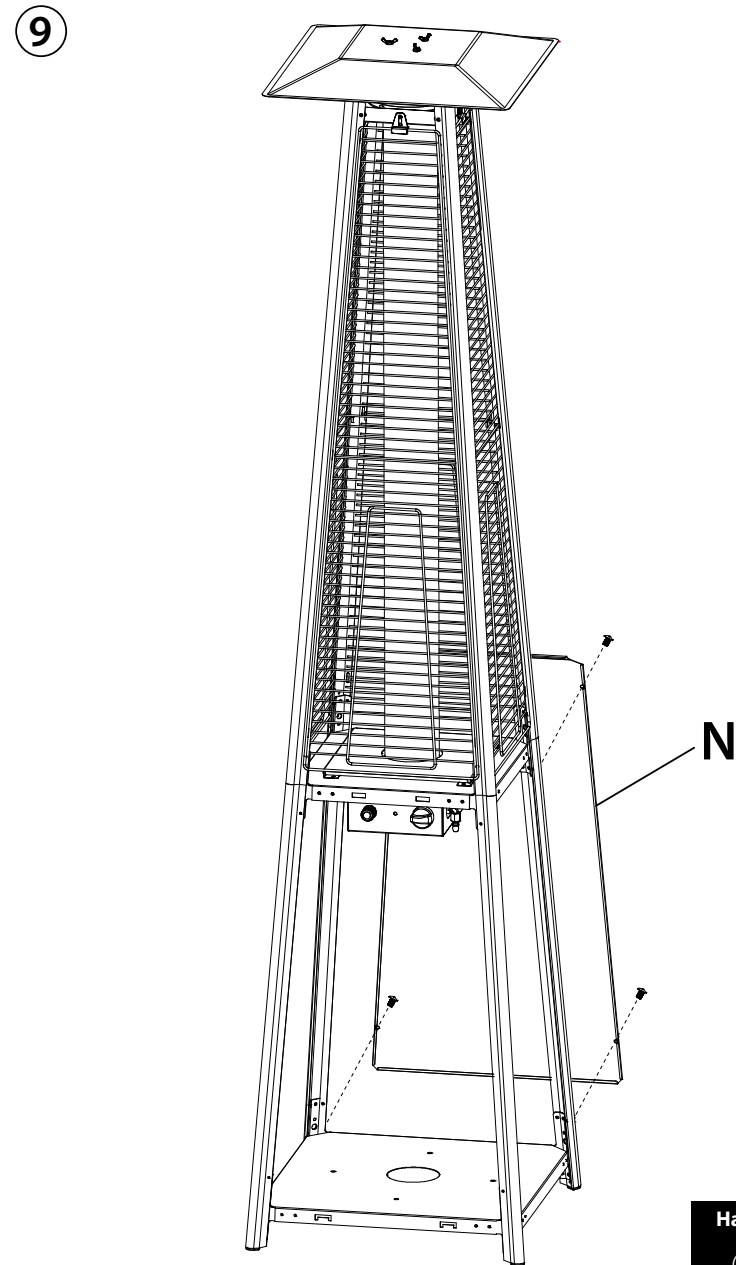
Hardware Used:
 3x Studs
 3x Wing Nuts

Screw in the three Studs into the top of Damper (D) and place three Washers through the top-ends of those Studs. NOTE: Remove the protective film from the Reflector (H) before proceeding further. Place the Reflector (H) through the top-end of Studs, use the remaining three Washers, and screw down Wingnuts to hold Reflector (H) in place.



Hardware Used:
4x Bolts
(Pre-assembled)

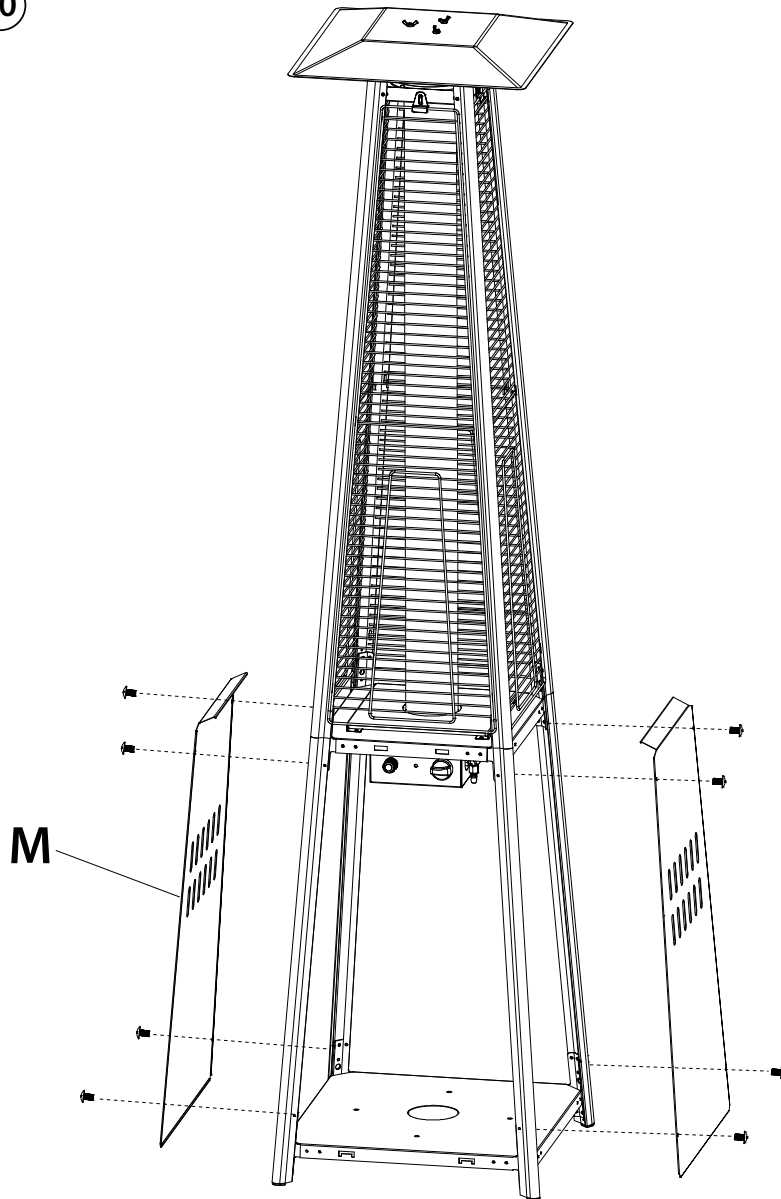
Attach the Protection Guards (I) using the three sets of hooks to the ovals on the sides of the Upper Supports (E). Remove the silver Bolts on either side of plate to the Damper (D). Use those silver Bolts to connect the Fixing Brackets (L) to the Damper (D) which will secure the Protection Guards (I) in place.



Hardware Used:
4x Bolts
(Pre-assembled)

Place the Back Panel (N) onto the back of the Pyramid Heater. NOTE: The Control Box (B) is on the front side of the Pyramid Heater. Use the silver Bolts taken from the sides of the Lower Supports (F) to connect the Back Panel (N) to those supports.

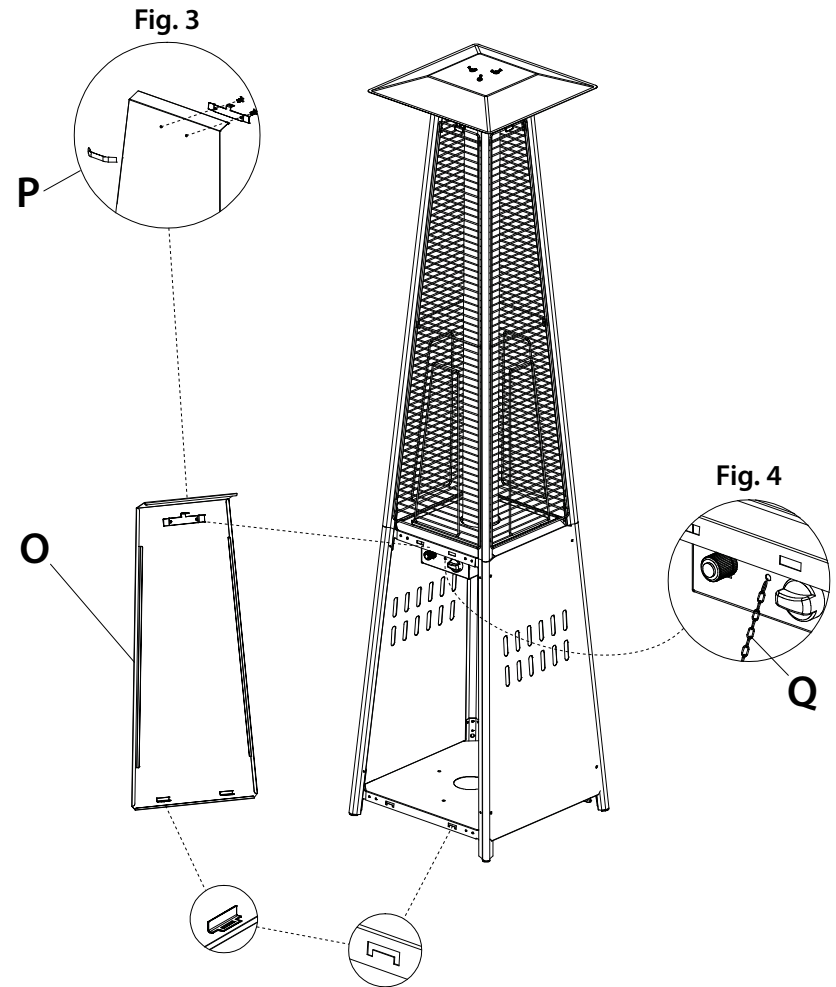
10



Hardware Used:
8x Bolts
(Pre-assembled)

Connect both Side Panels with vents (M) to the sides of the Pyramid Heater using the silver Bolts taken from the sides of the Lower Supports (F).

11

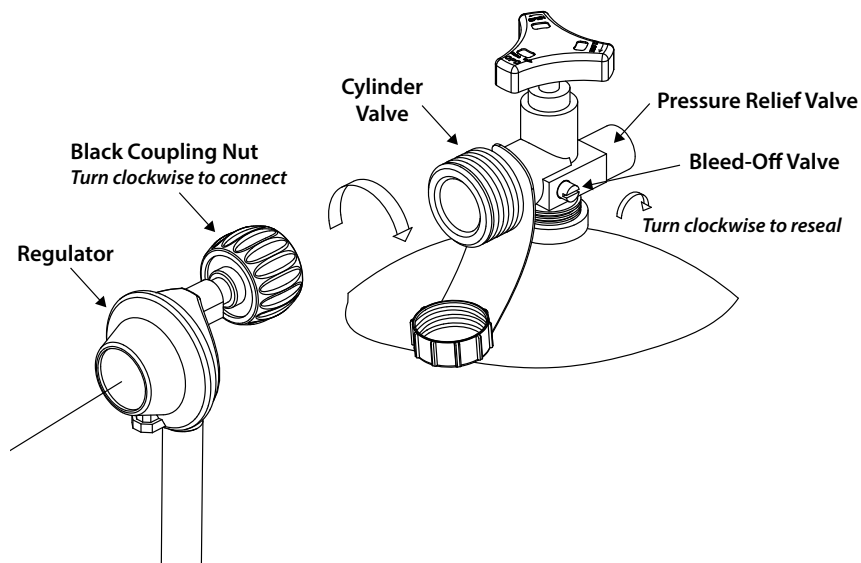


Hardware Used:
2x Bolts
(Pre-assembled)

Unscrew the two Bolts holding Handle (P) to its base. Place Handle (P) on frontside, near the top of Front Plate (O) and the base on the backside of this plate and use the two Bolts to secure these three parts together, see Fig. 3.

Connect the Chain (Q) to the base of the Handle (P) using the Bolt and Nut provided. Connect the other end of the Chain (Q) to the hook of the Control Box (B), see Fig. 4. Place the bottom of the Front Panel (O) into the grooves of the Bottom Plate (A) and use the magnets found on the Middle Plate (C) to lock the plate to the Pyramid Heater.

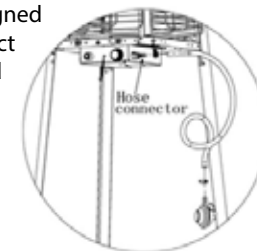
12



Connect the coupling of the Gas Hose & Regulator (T) to the Control Box (B) and the regulator to a 20lbs. LP cylinder tank (not included). Ensure that the connection is tight and secure. Move your LP cylinder tank on top of Bottom Plate (A) and tighten the three M8x45 Bolts [taken from Propane Cylinder Brackets; see Step 2] against the tank using the Cylinder Brackets (K).

OPERATION

You will need to purchase a standard 20 lb. LP cylinder designed to be used with the regulator purchased or supplied. For correct operation of the gas system follow the instructions supplied with regulator. Connect the hose to the hose connector in the control box.



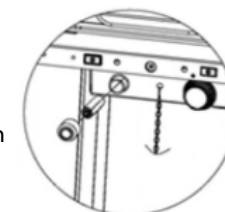
Warning: Always test the hose and connections for leaks with soapy water at the end of all connections.

WARNING

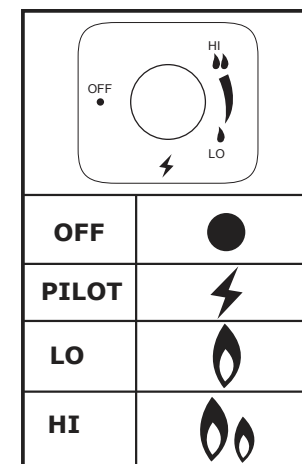
- Never use the heater while it is raining. The glass tube will break when it comes in contact with water.
- Never splash any liquid on the glass tube when the heater is working.
- The glass tube will be extremely hot when it is working. Never try to touch it and do not allow children to touch the glass tube.
- Always ensure the heater is on firm, level ground. The glass tube will break if the heater falls and hits objects or the ground.
- Never use heater if the glass tube has a crack or chip.

LIGHTING INSTRUCTIONS

- Check and ensure that a AA battery is inside the ignition chamber. The anode (+) side of the battery must face out.



- Make sure the Control Knob is in the OFF position. Slowly open the LP cylinder valve.
- Press and turn the Control Knob to PILOT (⚡) position (counterclockwise). Press the RED igniter button.
- Check for the pilot flame through the glass tube. If the pilot does not light, press and turn the Control Knob clockwise to the OFF position. Repeat steps 1-2.
- Once the pilot flame is lit, turn the Control Knob counterclockwise to LO position.
- For maximum heat, turn the Control Knob counterclockwise to HI position.
- To turn the heater off, turn the Control Knob clockwise to OFF position. Depress the Control Knob and turn clockwise to OFF position. Close the valve on your LP cylinder when the heater is not in use.



MAINTENANCE AND STORAGE

To enjoy years of outstanding performance from your heater make sure you perform the following maintenance routines on a regular basis:

- Keep exterior surfaces clean:
 - Use warm soapy water for cleaning. Never use flammable, corrosive or abrasive cleaners.
 - While washing your unit, be sure to keep the area around the burner and pilot assembly dry at all times. If the gas control is exposed to water in any way, DO NOT try and use it. It must be replaced.
- At least once a year, the unit should be inspected for spiders, spider webs or other insects; air flow might be obstructed.
- Keep controls, burner and circulating air passageways clean. Signs of possible blockage include:
 - Gas odor with extreme yellow tipping of flame
 - Heater does not reach the desire temperature
 - Heater glow is excessively uneven
 - Heater makes popping noises
- Spiders and insects can nest in burners or orifices. This could damage the heater and render it unsafe for use. Clean burner holes by using a heavy duty pipe cleaner. Compressed air may help clear away smaller particles.
- Carbon deposits may create a fire hazard. Clean reflector and glass tube with soapy water if any carbon deposits develop. Always be careful when cleaning the glass tube.

STORAGE

Between Uses:

- Turn the control knob to OFF position.
- Turn the LP cylinder to the OFF position.
- Store the heater upright in an area sheltered away from weather conditions such as rain, sleet, hail, and snow.
- If desired, cover heater to protect exterior surfaces and to help prevent dust and debris collecting in air passages. Do not apply cover until heater has completely cooled.

DURING PERIODS OF EXTENDED INACTIVITY OR WHEN TRANSPORTING:

- Turn the control knob to OFF position
- Disconnect LP cylinder and move to a secure, well ventilated location outdoors. DO NOT store in a location that will exceed 120 degrees Fahrenheit.
- Store heater upright in an area sheltered away from weather conditions such as rain, sleet, hail, and snow.
- If desired, cover heater to protect exterior surfaces and to help prevent dust and debris collecting in air passages. DO NOT apply cover until heater has completely cooled.

WARNING FOR YOUR SAFETY

- DO NOT touch or move heater for a least 45 minutes after each use.
- Allow all burner elements to cool before touching.

NOTE

- In a salt air environment (such as near an ocean) corrosion occurs more quickly than normal.
- Frequently check for corroded areas and repair them promptly.
- Wait until heater is cool before covering.

PROBLEM	PROBABLE CAUSE	SOLUTION
<i>Pilot will not light</i>	Gas valve may be OFF Fuel tank in empty Orifice blocked Air in supply system Loose connection AA battery is missing or dead	Turn the gas valve ON Refill LP cylinder Clean or replace orifice Purge air from lines Check all fittings Replace AA battery
<i>Pilot will not stay on</i>	Debris around pilot Loose connection Non-working thermocouple Gas leak in line Lack of fuel pressure	Clean dirty area Tighten connections Replace thermocouple Check connections using leak test Fuel tank is near empty, refill
<i>Burner will not light</i>	Pressure is low Orifice blocked Control valve not ON Non-working thermocouple Pilot light assembly bent or not in correct location	Fuel tank is near empty Remove, clean, and replace Turn valve ON Replace thermocouple Place pilot light in correct position and retry
<i>Burner flame is low</i>	Supply hose is bent or twisted Blockage in burner injector	Straighten hose and perform leak test on hose Clean or replace burner injector
<i>Burner flame goes off immediately after ignition</i>	Low gas pressure	Let the pilot flame stay lit for 10 minutes before setting variable knob to LO
<i>Thick black smoke</i>	Blockage in burner	Turn off the heater and let it cool, remove blockage and clear burner inside and out
<i>Carbon build up</i>	Dirt or film on reflector and flame screen	Clean reflector and flame screen

Pyramid Propane Heater

Dist. by TDC USA, Inc. Fairfield, NJ 07004
©2020 All Rights Reserved. Made in China.
Item #34022

Questions and Comments
1-800-599-8898 (9 am - 5 pm EST)
www.tdcusainc.com